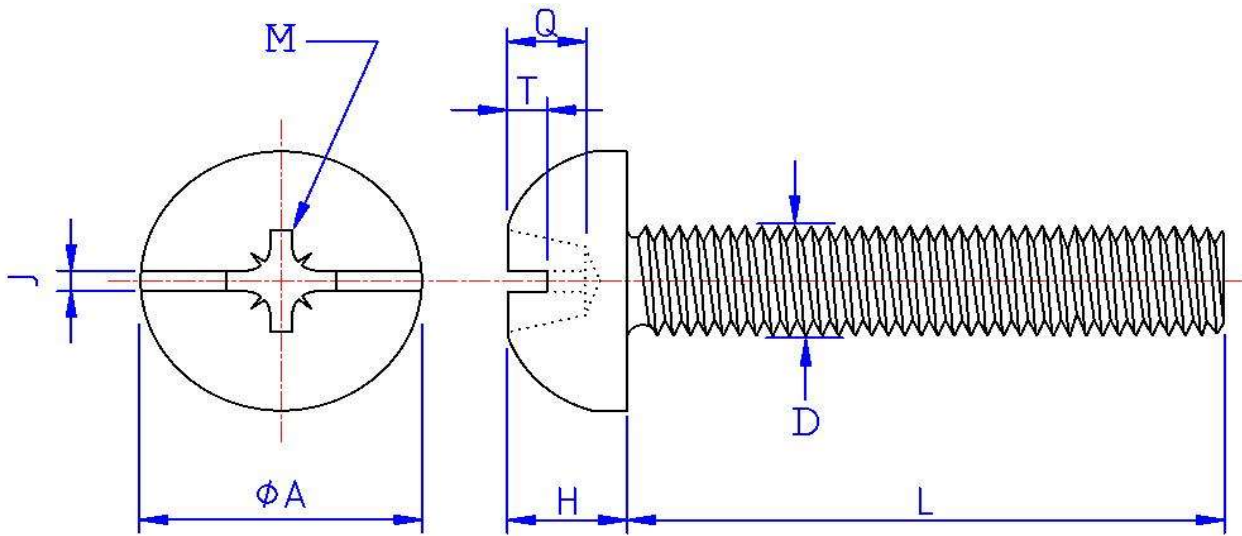


Brand	Root
	PCMZM...



unit: MM

L LENGTH TOLERANCE	≤ 13mm	+ 0	- 0.51
	> 13mm to ≤ 25mm	+ 0	- 0.76
	> 25mm to ≤ 50mm	+ 0	- 1.52

**FULL
THREAD**

SCREW SIZE	M PUNCH		Q DRIVE DEPTH	A HEAD DIAM.	D THREAD DIAM.	H HEAD HEIGHT	J SLOT WIDTH	T SLOT DEPTH	THREAD PITCH MM
M4	# 2	Min	1.90	7.64	3.838	2.92	1.26	1.05	0.7
		Max	2.36	8.00	3.978	3.10	1.51	1.47	

**Pan head, Recess Type IA (Combined Pozi-Drive & Slot), Machine screw
Unharden (CLASS 4.8), Zinc plated**

Root = Pan Combine Machine Zinc Metric

Bulk Label Description:

English: PAN HEAD, COMBINED (POZIDRIVE & SLOT), MACHINE SCREW, ZINC

French: VIS MACHINE, TÊTE PAN, COMBINÉ (POZIDRIVE & RAINURÉ), ZINC

Spanish: TORNILLOS DE MÁQUINA, CABEZA REDONDA, COMBINADO POZI CON RANURA, ZINC

Date : 2 novembre 2020

Done by : P.B.