

Fig 2

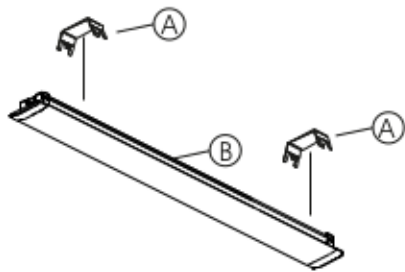
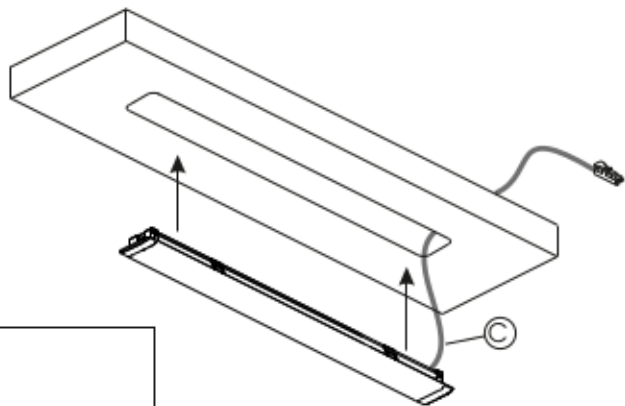


Fig 3

Fig 4