

Pull-out tables and Sliding island tops by RICHELIEU



www.richelieu.com
Tel : 1-800-619-5446
Fax : 1-800-876-7454

V4-12-09-2018

1 of 12



PULL-OUT DRAWER TABLE MECHANISMS

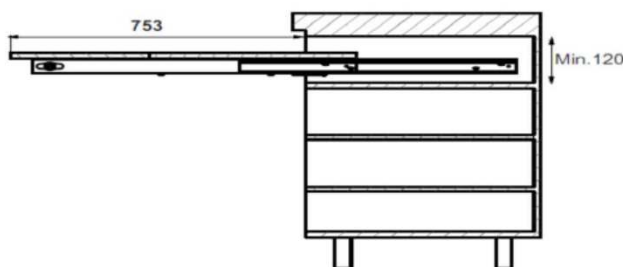
This line of pull-out table mechanisms is right in step with the latest in home organization and functional furnishings, especially for **small spaces**. Whether for the kitchen, living room or guest bedroom, these hide-away tables can be used anywhere in the house, part of the trend toward, “**smart living**” versatile products that offer easy accessibility to all. They are fastened to aluminum, telescopic slides mounted in a drawer space or in a cabinet. Pull out the surface for a beautiful, sturdy table with models that seat two to six persons. The pull-out mechanisms are also a quick, clever way to create more counter space for food preparation, offering extra-strong load-bearing capacity for added safety. The tables optimize the overall layout of your kitchen by giving it modular **flexibility**.

NAXO FOR 410MM TO 1170MM INTERNAL CABINET WIDTH

NAXO is composed of an aluminum slides system that can be installed instead of a drawer and allows to pull out a complete and functional table when needed. Open the front door, pull out the slides, unfold your top and the table is ready. Ideal for 2 people. **NAXO** can also be used to create more space in your kitchen’s preparation zone.



Code	Description	Int. Width Requirements	Int. Min. Height	Int. Min. Depth	Extension	Capacity
4119212010	TABLE EXT.NAXO III ALUMINUM	16 1/8" to 46 1/16" 410 to 1170mm	4 3/4" 120mm	21 1/4" 540mm	29 11/16" 753mm	132 lbs 60 kg



Min. 120



WIDTH 410 TO 1170
LARGEUR

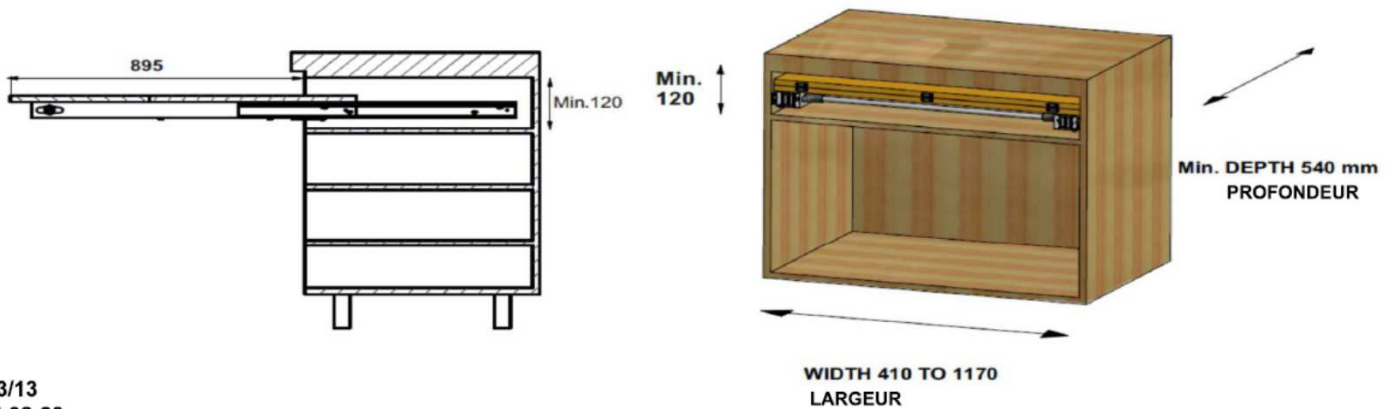
LUNCH FOR 410MM TO 1170MM INTERNAL CABINET WIDTH

This system consists of a table top that hides into a space usually used for a drawer. The table is instantly pulled in tilting the drawer front panel. Designed for functionality needs in a small kitchen where it needs a table top for breakfast or simply as an extension work surface, extend up to 895mm (35 1/4"). Accommodates 2 to 3 people.

The main characteristic of this product is that all components are integrated to the system without having to store extension panels somewhere else.



Code	Description	Int. Width Requirements	Int. Min. Height	Int. Min. Depth	Extension	Capacity
4119112010	EXTENTION LUNCH ALUMINUM	16 1/8" to 46 1/16" 410 to 1170mm	4 3/4" 120mm	21 1/4" 540mm	35 1/4" 895mm	132 lbs 60 kg



3/13
17-02-28

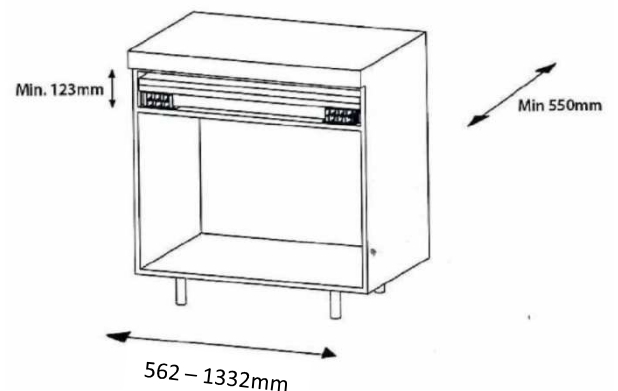
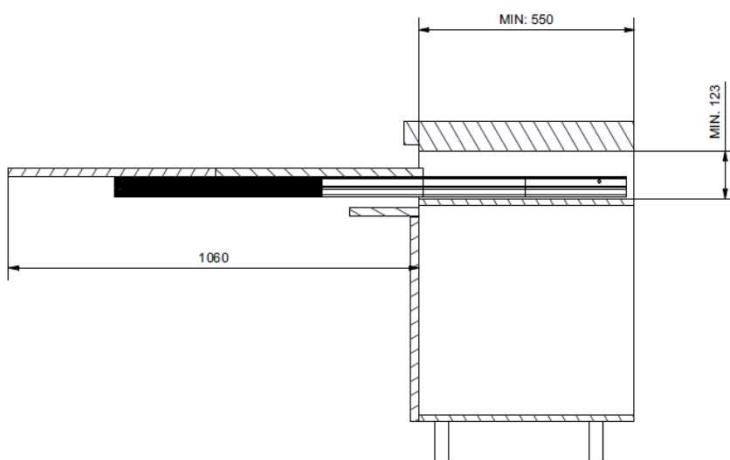
CHEO

FOR 562 to 1332mm INTERNAL CABINET WIDTH

CHEO is a mechanism that takes the space normally meant for a drawer. Ideal to accommodate 3 to 4 people. The mechanism is composed of heavy-duty aluminum slides fixed on the internal sides of the cabinet and a connecting front bar that is also used as a handle to pull out the mechanism. The table top has to be built by customer.



Code	Description	Int. Width Requirements	Int. Min. Height	Int. Min. Depth	Extension	Capacity
411781122	SLID. TABLE CHEO ALUMINUM	22 1/8 to 52 7/16 " 562 to 1332mm	4 7/8 " 123mm	21 5/8 " 550mm	41 3/4 " 1060mm	175 lbs 80 kg



T-ABLE and T-ABLE-XL

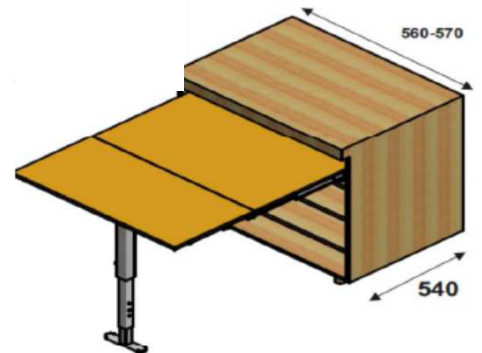
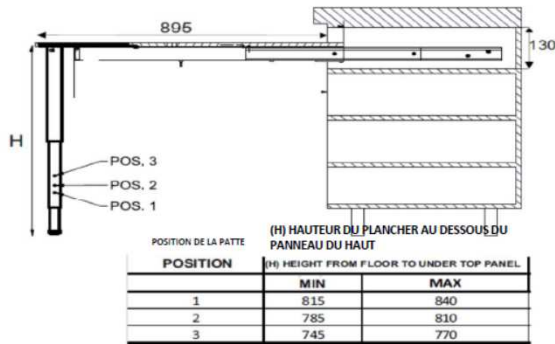
FOR 600MM WIDE CABINETS

This extension table is a revolutionary solution in the small spaces organization. Hidden in a drawer when not used, you just have to pull it out to get a place for meals in a fingertip. They can accommodate 2 to 3 people for T-Able and 4 to 5 for T-Able XL..

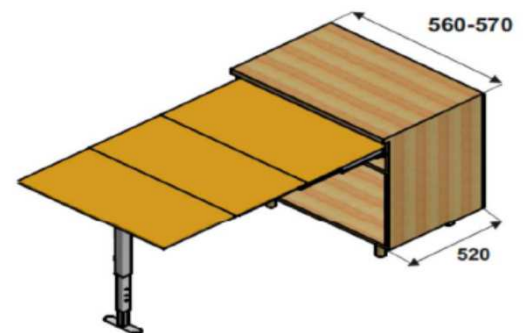
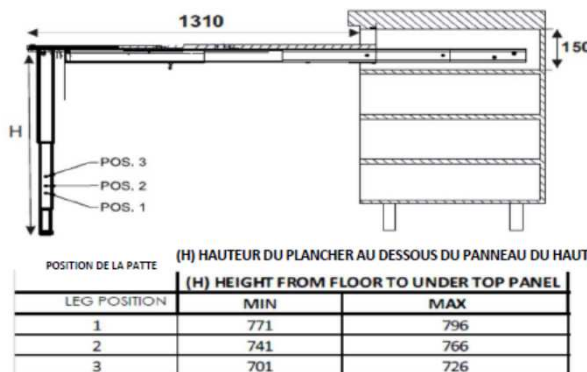


Code	Description	Int. Width Requirements	Int. Min. Height	Int. Min. Depth	Extension	Capacity
4119292210	EXTENSION T-ABLE III 600MM ALU	22 1/16" to 22 7/16" 560 to 570mm	5 1/8" 130mm	21 1/4" 540mm	35 1/4" 895mm	220 lbs 100 kg
4119192210	EXTENSION T-ABLE XL III 600MM	22 1/16" to 22 7/16" 560 to 570mm	5 7/8" 150mm	20 1/2" 520mm	51 9/16" 1310mm	220 LBS 100 kg

T-Able



T-Able XL



T-BENCH

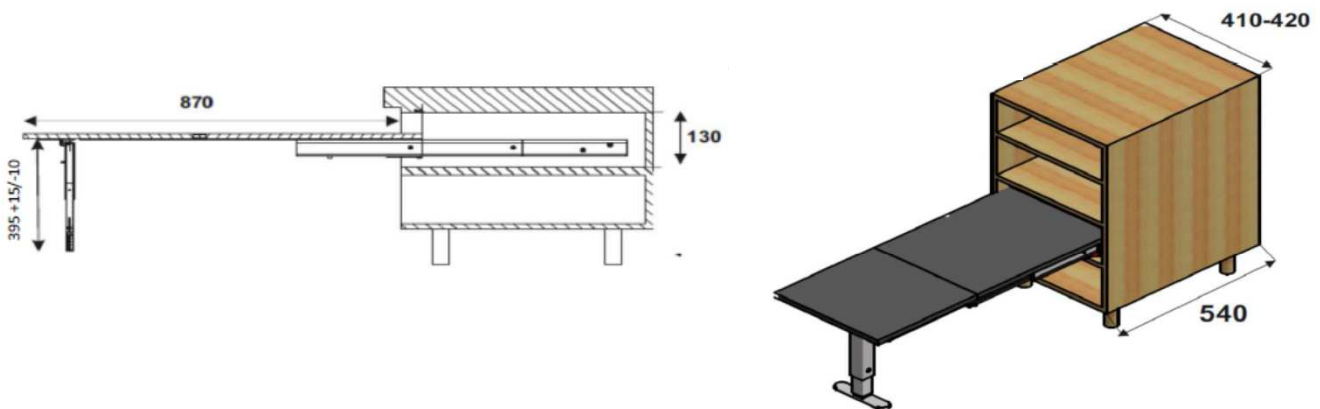
FOR 450MM WIDE CABINETS

T-BENCH is a revolutionary solution. It's a foldable pull out bench, that can be used with one of the numerous Richelieu table extensions product line (Cheo, Naxo, Lunch, T-ABLE, etc). **T-BENCH** offers an extension of around 870mm (34-1/4") with a weight capacity of 150kg (330lb)



T-BENCH shown with T-ABLE

Code	Description	Int. Width Requirements	Int. Min. Height	Int. Min. Depth	Extension	Capacity
4119194510	SLIDING BENCH 450MM ALU	16 1/8 or 16 1/2" 410 to 420mm	5 1/8" 130mm	21 1/4" 540mm	34 1/4" 870mm	330 lbs 150 kg



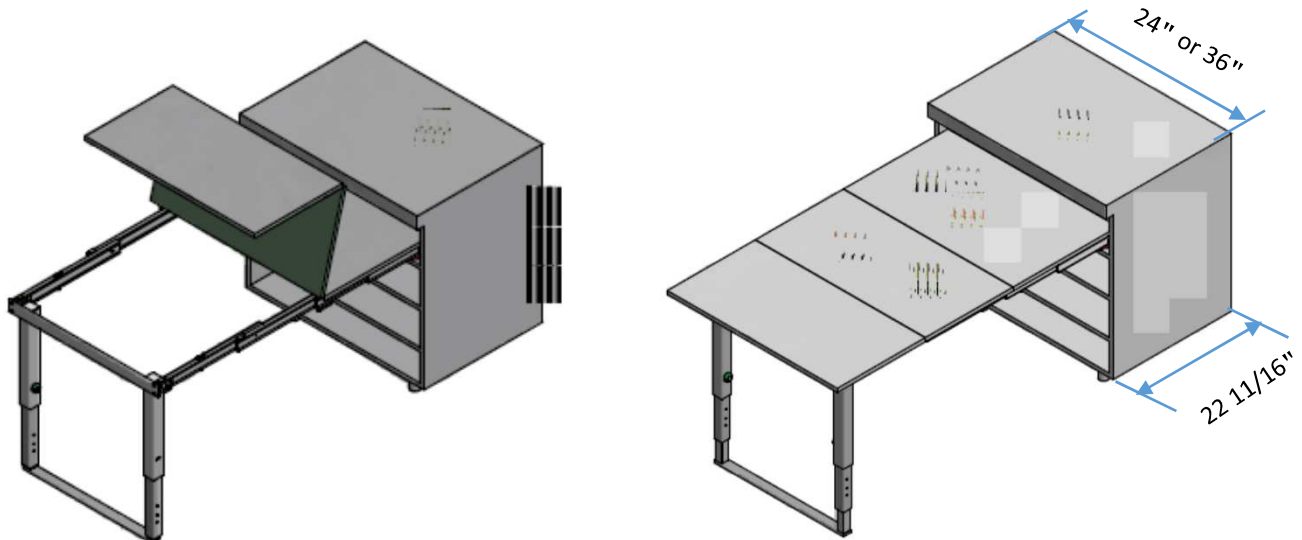
PARTY

FOR 24" AND 36" WIDE CABINETS

PARTY is a unique mechanism composed of aluminum slides and a foldable leg, enabling the installation of pull out table in all the rooms of the house. Closed, this mechanism set stands in a small suspended furniture or can be integrated in a cabinet. Opened, it transforms into a real table of 1446mm (57") suitable for 4 to 6 people. Equipped with an integrated telescopic leg which can support a loading charge of 100 Kg (220 lb). You have limited space in your house or apartment, then **PARTY** is an excellent solution to organize your living space. In the kitchen, **PARTY** can also be used to create extra working space like in the preparation zone for example. The table top has to be made by the customer, allowing customization and harmonization of your interior design.



Code	Description	Int. Width Requirements	Int. Min. Height	Int. Min. Depth	Extension	Capacity
411952410	EXTENTION PARTY 24" ALUMINUM	22 ½" to 22 ¾" 571 to 578mm	5 15/16" 150mm	22 11/16" 575mm	57" " 1448mm	220 lbs 100 kg
411953610	EXTENTION PARTY 36" ALUMINUM	34 ½" to 34 ¾" 876 to 883mm	5 15/16" 150mm	22 11/16" 575mm	57" 1448mm	220lbs 100 kg



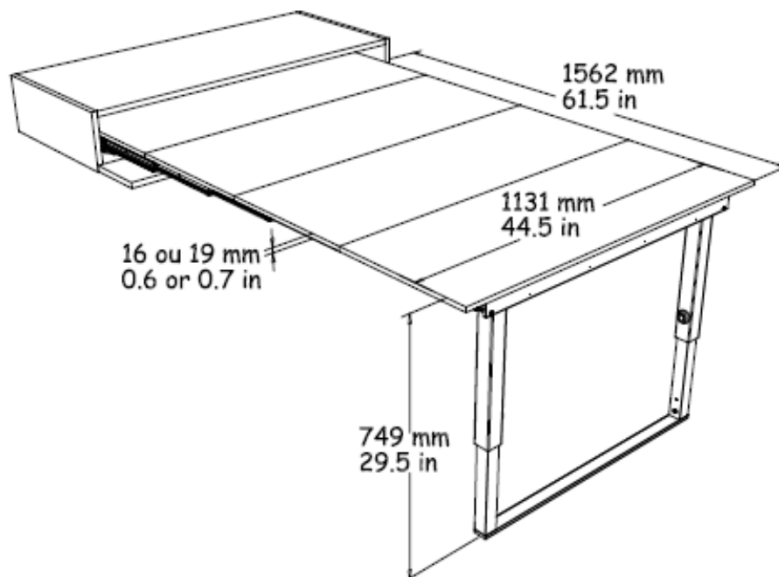
VERSOTO

FOR 1200MM WIDE CABINETS

VERSOTO is a unique mechanism composed of aluminum slides and a foldable leg, enabling the installation of pull out table in all the rooms of the house. Closed, this mechanism set stands in a small suspended furniture or can be integrated in a cabinet. Opened, it transforms into a real table of 1562mm (61 1/2") suitable for 5 to 6 people. Equipped with an integrated telescopic leg which can support a loading charge of 100 Kg (220 lb). You have limited space in your house or apartment, then **VERSOTO** is an excellent solution to organize your living space. In the kitchen, **VERSOTO** can also be used to create extra working space like in the preparation zone for example. The table top has to be made by the customer, allowing customization and harmonization of your interior design.



Code	Description	Int. Width Requirements	Int. Min. Height	Int. Min. Depth	Extension	Capacity
4119412010	TABLE EXT.VERSOTO 3 ALUMINUM	45 3/4" 1163mm	6 7/8" 175mm	20 1/8" 510mm	61 1/2" 1562mm	220 lbs 100 kg



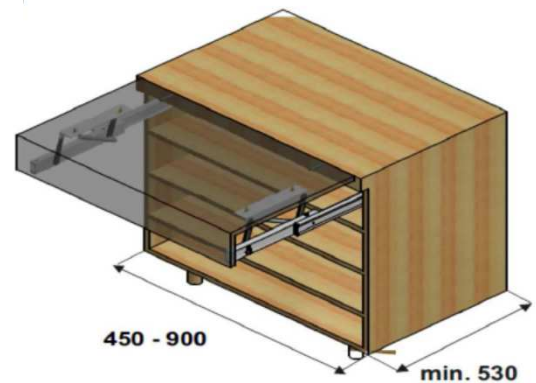
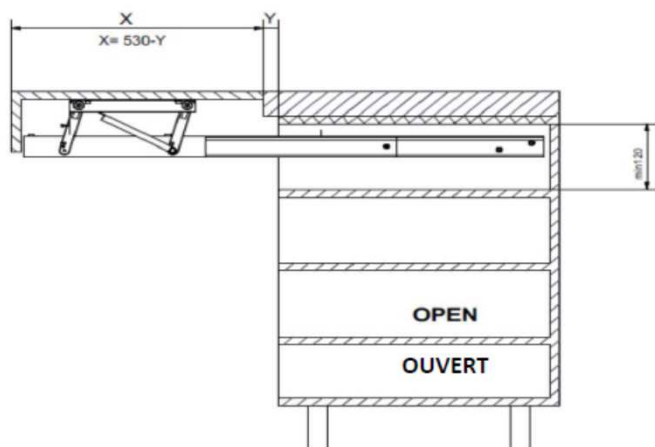
OPLA-TOP

FOR 450 - 900MM WIDE CABINETS

This extension table is a revolutionary solution in the small spaces organization. Hidden in a drawer space when not used, you just have to pull it out to gain extra counter space in a simple movement. Opla-Top offers an extension of approximately 500mm (19 11/16") with a weight capacity of 40kg (88lb).



Code	Description	Int. Width Requirements	Int. Min. Height	Int. Min. Depth	Approximate Extension	Capacity
4117171010	EXTENT.OPLA-TOP 450-900MM AL	16 1/4" to 34 1/8" 412 – 868mm	4 3/4" 120mm	20 7/8" 530mm	19 11/16" 500mm	88 lbs 40 kg



SLIDE

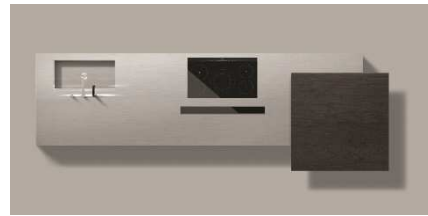
SLIDING ISLAND TOP

A surprising solution for kitchen island top.

SLIDE is a mechanism composed of aluminum slides, allowing to slide the island counter top diagonally to instantly create a new functional area. Once opened, **SLIDE** will overhang 318mm (12 ½") along 2 sides of the island to accommodate up to 4 people. This is great for snack time, lunch or to have a drink in an entertaining atmosphere. The table top is done by the customer and can be harmonized with the other countertops of the kitchen.

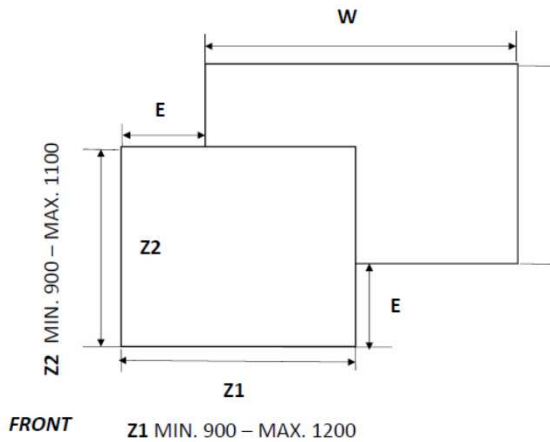


CLOSED

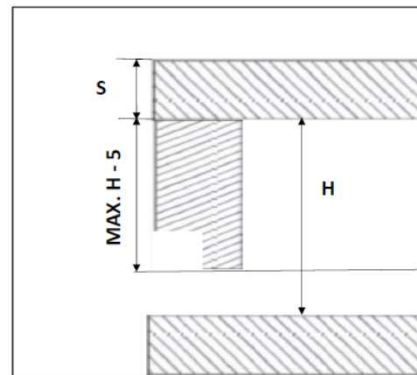


OPENED

Code	Description	CounterMin. Width	Counter Min. Depth	Top Width range	Top Depth range	Capacity
411969010	EXTENTION SLIDE 36" ALU.	35 7/16" 900mm	35 7/16" 900mm	35 7/16" to 47 ¼" 900 to 1200mm	35 7/16" to 43 5/16" 900 to 1100mm	132 lbs 60 kg



TOP VIEW



DIMENSION	SYMBOL	Mm
HEIGHT	H	MIN. 60
COUNTERTOP DEPTH	D	MIN. 900
COUNTERTOP WIDTH	W	MIN. 900
TOP DIMENSION	Z1	MIN. 900 MAX. 1200

DIMENSION	SYMBOL	Mm
TOP DIMENSION	Z2	MIN. 900 MAX. 1100
TOP THICKNESS	S	MIN. 18
MAX. OPENING	E	318

DELO

FOR KITCHEN ISLANDS

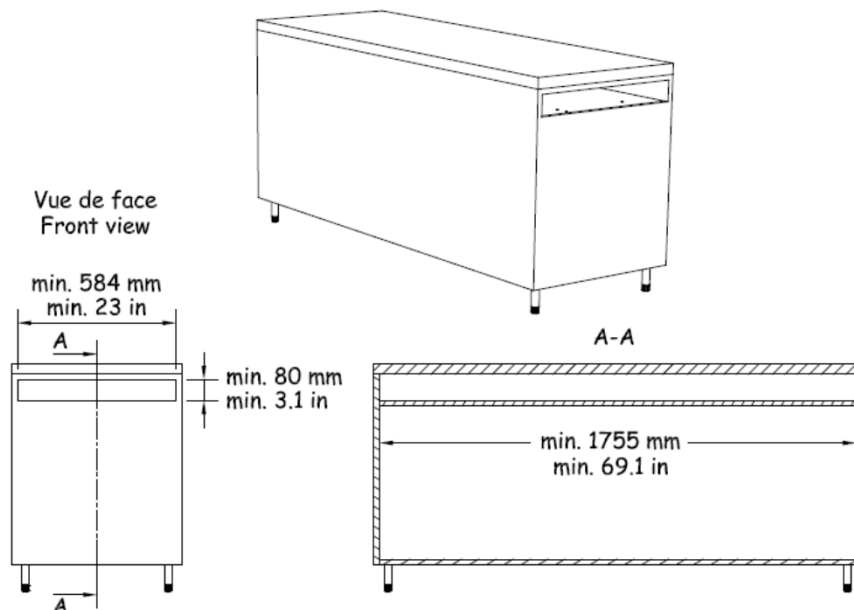
DELO is the new peninsula table that can be pulled-out from the side of the kitchen island and provides more surface space with one simple motion.

The telescopic guides are attached underneath the tabletop thus concealed and allowing the table to be extended up to its maximum length (1600mm 63").

Make full use of your kitchen space. Create a snack area or a dinner table for 5 to 6 people with the **DELO** pull-out table. The table top is done by the customer and can be harmonized with the other countertops of the kitchen.



Code	Description	Int. Width Requirements	Int. Min. Height	Int. Min. Depth	Extension	Capacity
4117656010	TABLE EXT.DELO ALUMINUM	23" 584mm	3 1/8" 80mm	69 1/8" 1755mm	63" 1600mm	132 lbs 60 kg



MILO

FOR KITCHEN ISLANDS

The sliding counter top **MILO** is a revolution in kitchen island design. Closed, it provides a smooth, clear surface. Pull it out, and it becomes a real entertaining area while exposing a full working surface that was previously hidden. It accommodates up to 4 people. For a complete set, you need to order the mechanism # 4117725110 and the profiles # 411725210. The top must be built by the customer to be harmonized with the counter tops of the kitchen.



Code	Description	Counter top Width	Height	Depth	Extension	Capacity
4117725110	SET MECHANISM MILO 554MM ALUM.	96 ¾" 2454mm	3 3/16" 80mm	31 ½" 800mm	25 3/16" 640mm	176 lbs 80 kg
4117725210	SET 2 PROFILES FOR MILO ALUM.					

