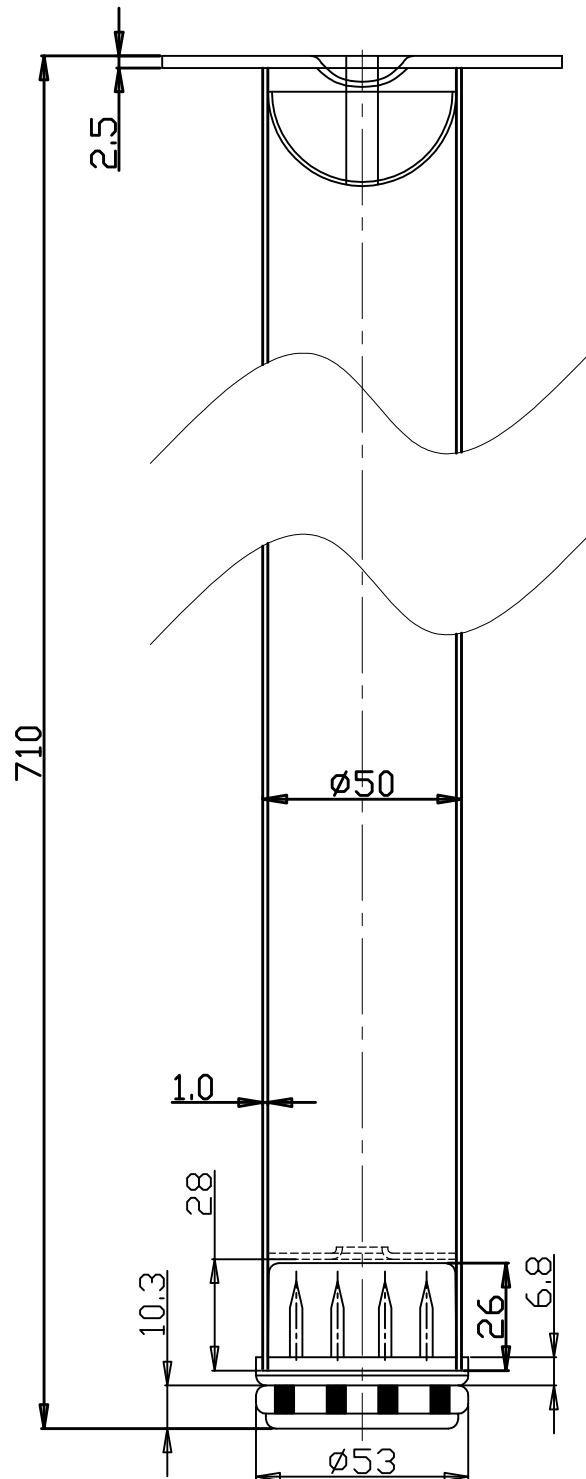


Sizes in millimeters /
Dimensions en millimètres



REFERENCE:
UC150710900
UC15071030
UC15071090