
Application

Libra H7 is the latest development in the cabinet hanger program. Especially conceived for wall-mounted suspended cabinets with heavy loads or particularly deep drawers. Ideal and versatile system for your new kitchen cabinet projects, vanity and commercial displays.


Advantages & Benefits

- **Safe:** Locking device included.
- **Flexible:** Vertical adjustment: 13mm
In-Depth adjustment: 12mm
- **Robust:** Each mechanism can support up to 210kg (462 lbs).
- **Ingenious:** The slim side brackets wings never interfere with the slides for drawers.
- Mounting hardware + 2 wall plates included.
- Optional: Aluminium profile can be recut and drilled.
- Distributes weight evenly on the wall.
- Allows the installation of a rear panel of 4mm or 8mm.
- Exclusive to Richelieu.

Item No.
Description
670802032G

 DOWEL FIXING
(Sold in Pairs)

670502032G

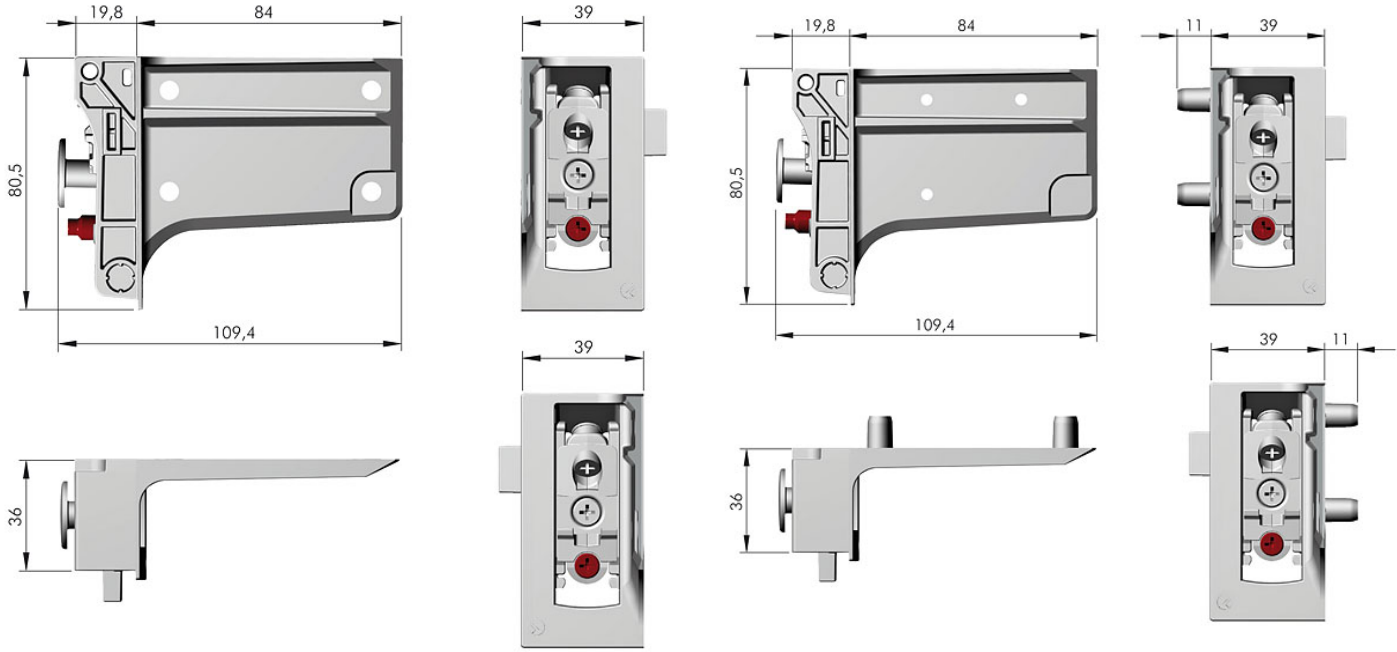
 SCREW FIXING
(Sold in Pairs)

6702004010

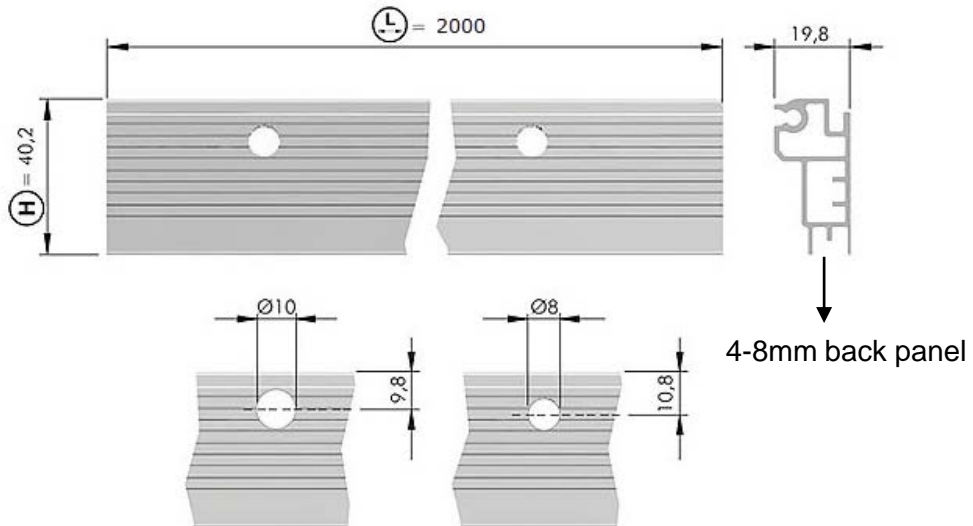
 ALUMINUM PROFILE
L: 2000mm (6,5 ft)

Technical Drawing
SCREW FIXING: 670502032G

Technical Drawing
DOWEL FIXING: 670802032G

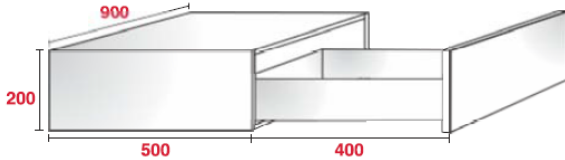



Technical Drawing
ALU. PROFILE: 6702004010

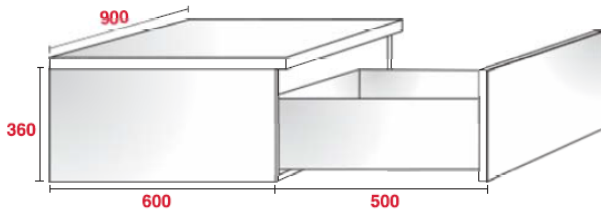





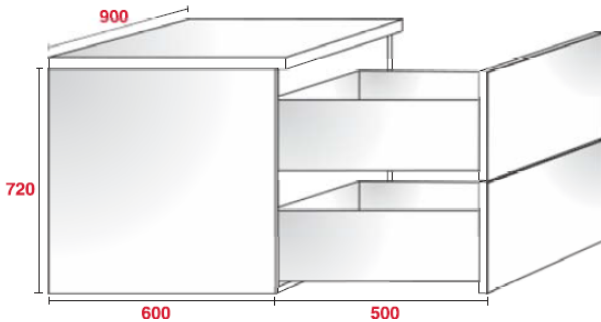
Load capacity




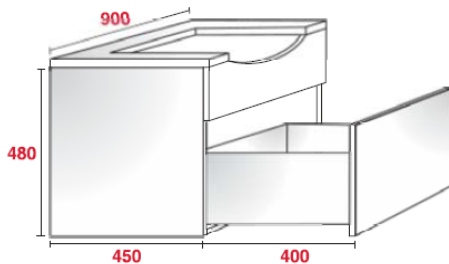
CAPACITY LOADING 			
LIBRA H7 AND CABINET WITH STRUCTURAL TOP		FURNITURE TYPE	LIBRA H7 DOWEL FIXING AND ALU BAR H. 40,2 WITH 2 EXTRA HANGING POINTS
SCREW FIXING	DOWEL FIXING		
120 Kg	120 Kg	Cabinet	160 Kg
80 Kg + 30 Kg	80 Kg + 30 Kg	Cabinet + drawer	120 Kg + 30 Kg




CAPACITY LOADING 			
LIBRA H7 AND CABINET WITH STRUCTURAL TOP		FURNITURE TYPE	LIBRA H7 DOWEL FIXING AND ALU BAR H. 40,2 WITH 2 EXTRA HANGING POINTS
SCREW FIXING	DOWEL FIXING		
160 Kg	150 Kg	Cabinet	180 Kg
120 Kg + 30 Kg	110 Kg + 30 Kg	Cabinet + drawer	140 Kg + 30 Kg



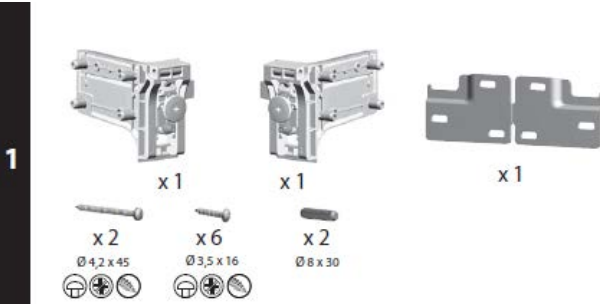
CAPACITY LOADING 			
LIBRA H7 AND CABINET WITH STRUCTURAL TOP		FURNITURE TYPE	LIBRA H7 DOWEL FIXING AND ALU BAR H. 40,2 WITH 2 EXTRA HANGING POINTS
SCREW FIXING	DOWEL FIXING		
200 Kg	170 Kg	Cabinet	210 Kg
130 Kg + 60 Kg	100 Kg + 60 Kg	Cabinet + drawer	140 Kg + 2 x 30 Kg



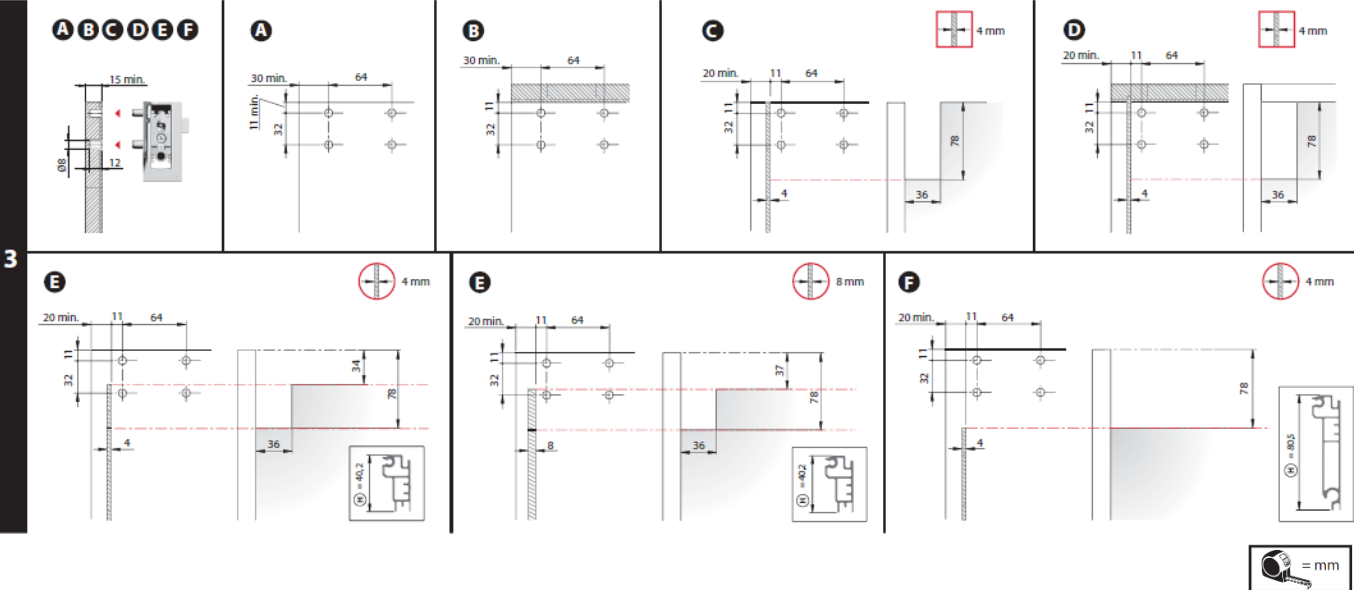
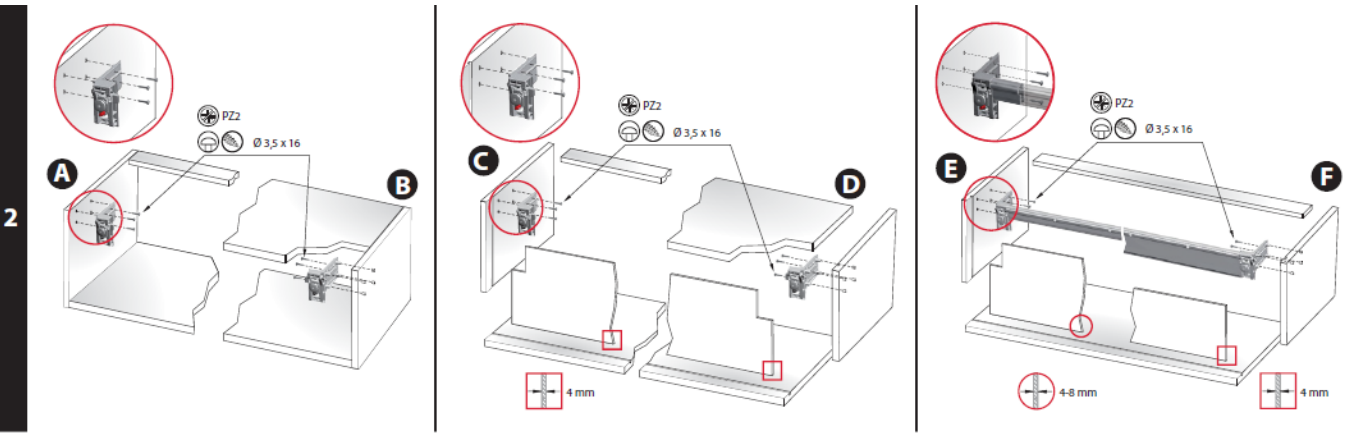
CAPACITY LOADING 			
LIBRA H7 AND CABINET WITH STRUCTURAL TOP		FURNITURE TYPE	LIBRA H7 DOWEL FIXING AND ALU BAR H. 40,2 WITH 2 EXTRA HANGING POINTS
SCREW FIXING	DOWEL FIXING		
200 Kg	170 Kg	Cabinet	210 Kg
160 Kg + 30 Kg	130 Kg + 30 Kg	Cabinet + drawer	170 Kg + 30 Kg

! Parts included

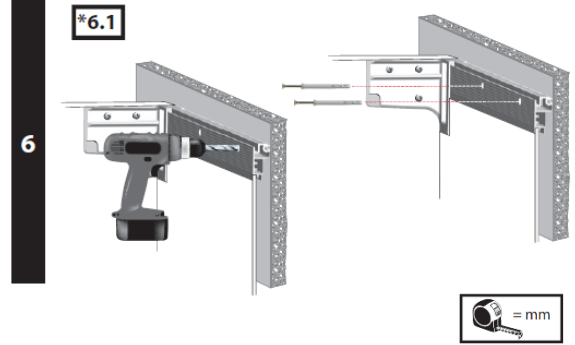
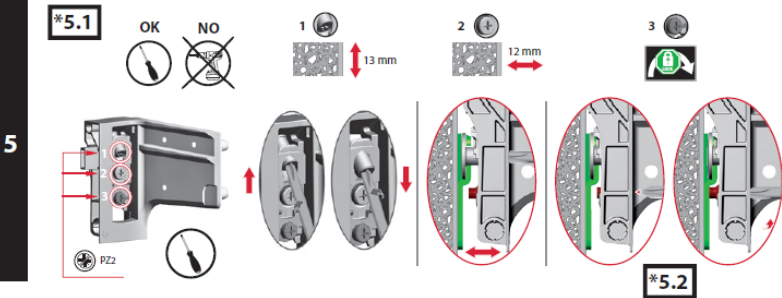
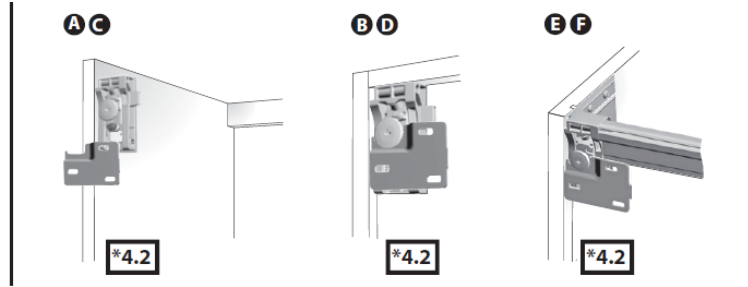
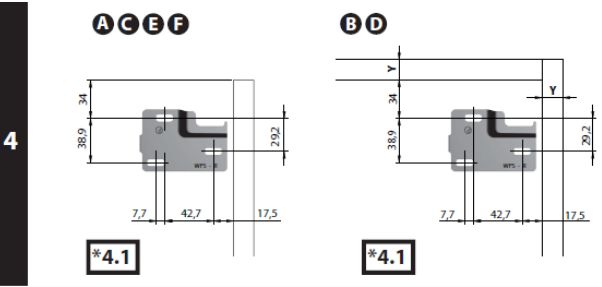
! Assembly visual



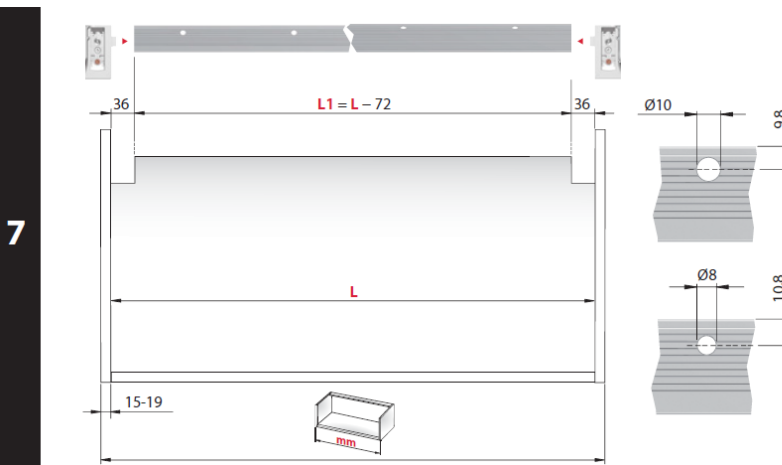
! Installation Guide



! Installation Guide



! Drilling Guide for Profile



***7.1**

≤ 450	-
451 - 600	1
601 - 950	2
951 - 1200	3
≥ 1201	4

! Lengend

***4.1** Y = Dimension to be defined in accordance to side panel thickness

***5.1** STEP 1

***6.1** STEP 2 : Extra hanging points reduce the load stress of the side plates

***4.2** Responsibility of the customer:
-To ensure that the wall is suitable.
-To use the proper hardware fittings.

***5.2** Automatically stops screwing the red bolt when it touches the wall plate

***7.1** Suggested combinations

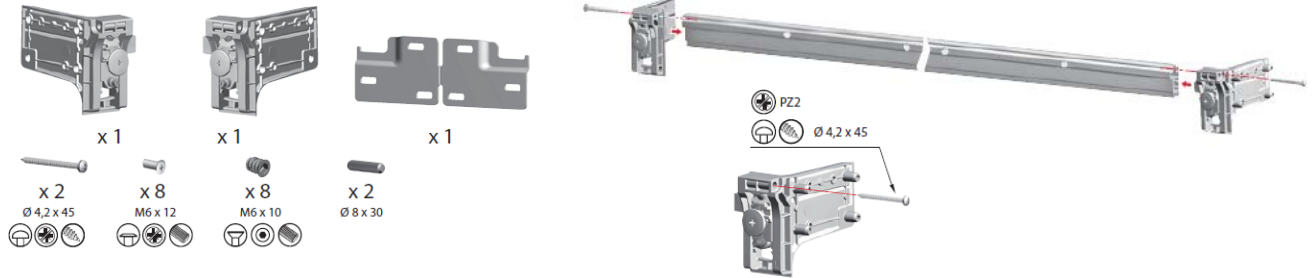


Parts included



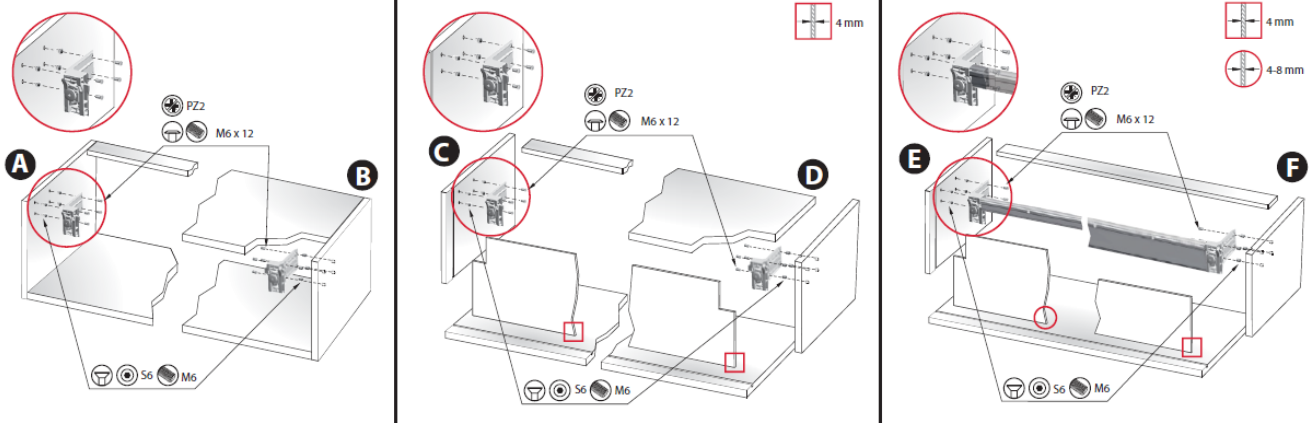
Assembly visual

1

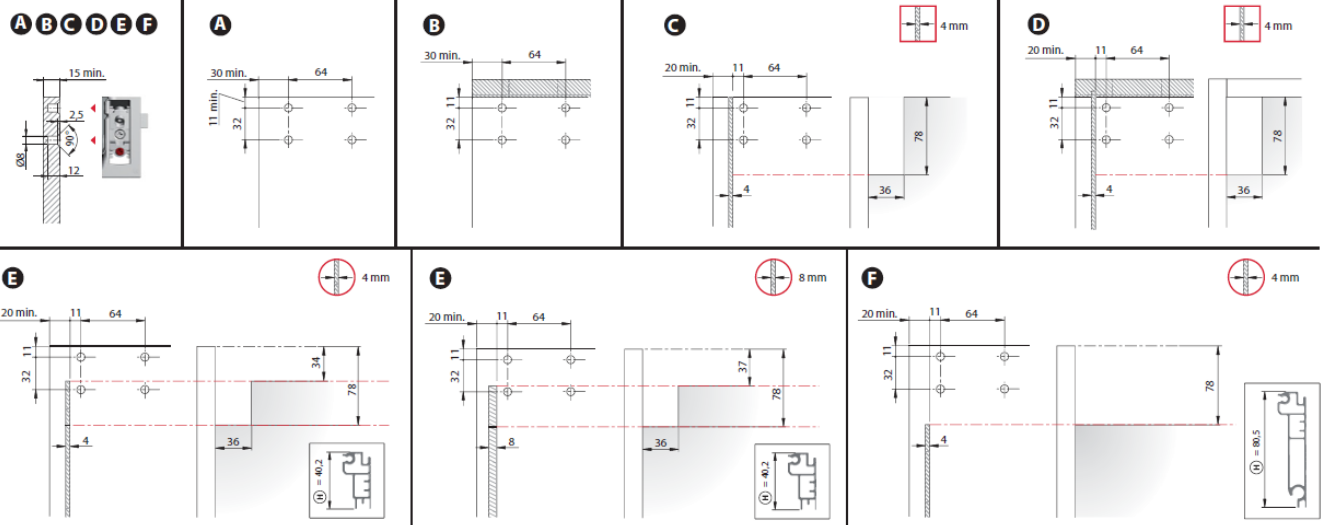


Installation Guide

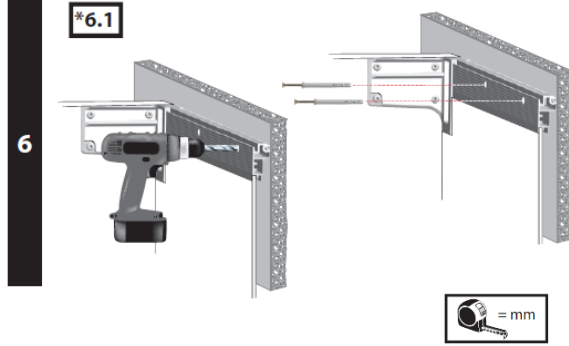
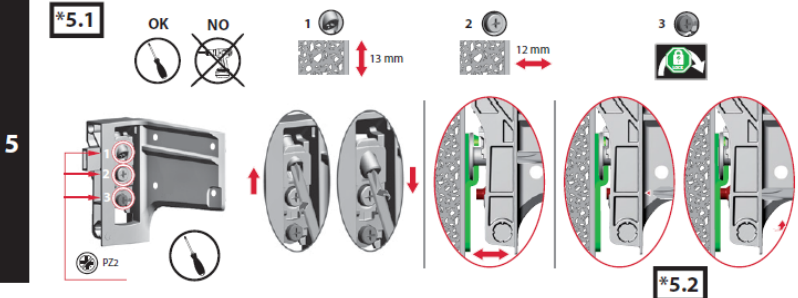
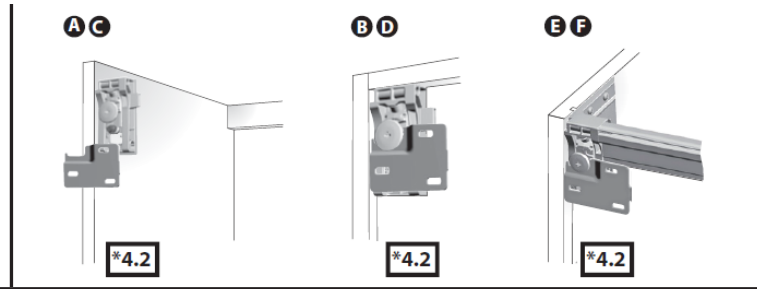
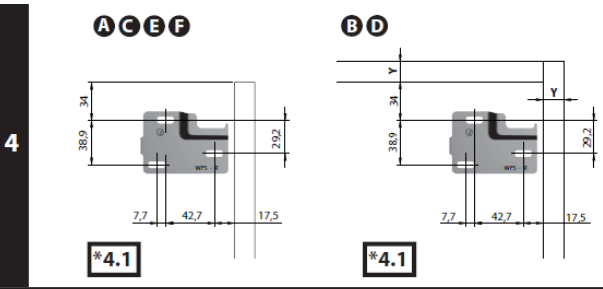
2



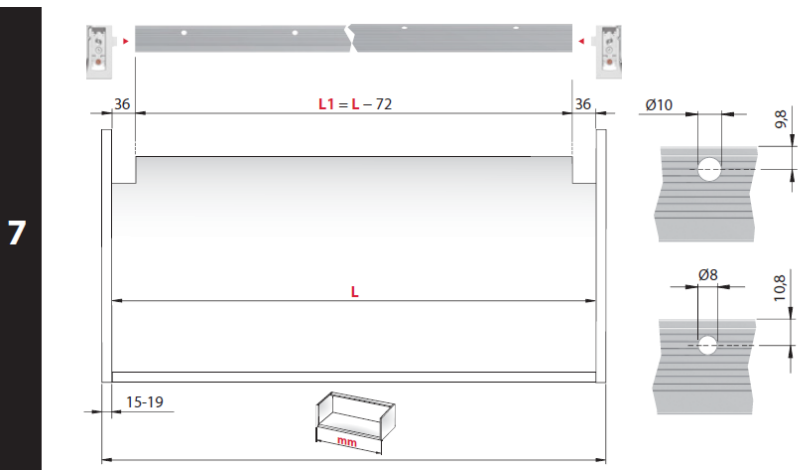
3



! Installation Guide



! Drilling Guide for Profile



***7.1**

≤ 450	-
451 - 600	1
601 - 950	2
951 - 1200	3
≥ 1201	4

! Lengend

***4.1** Y = Dimension to be defined in accordance to side panel thickness

***5.1** STEP 1

***6.1** STEP 2 : Extra hanging points reduce the load stress of the side plates

***4.2** Responsibility of the customer:
-To ensure that the wall is suitable.
-To use the proper hardware fittings.

***5.2** Automatically stops screwing the red bolt when it touches the wall plate

***7.1** Suggested combinations