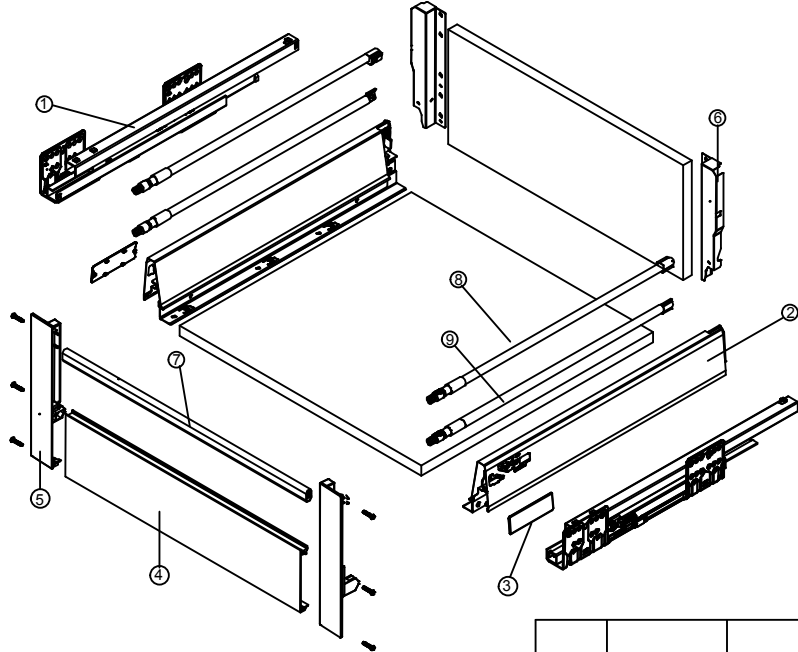


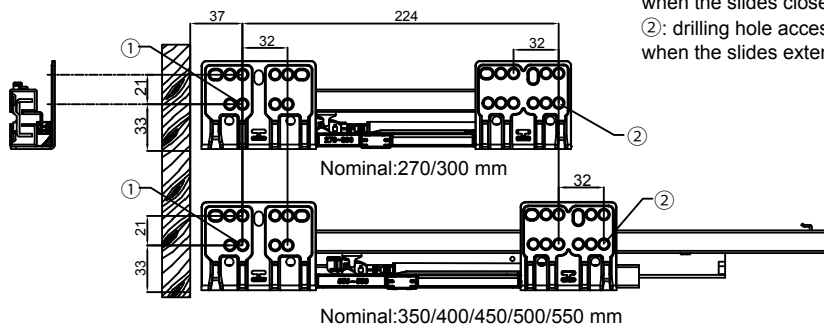
R 908 Series -199mm Inner Drawer Components



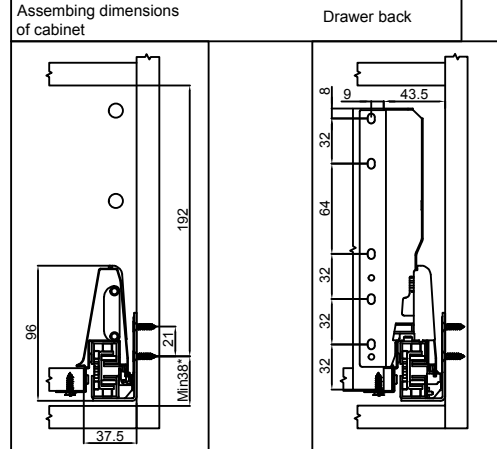
1. Slides (L/R)	8. Upper gallery rails
2. Drawer profiles (L/R)	9. Mid gallery rails
3. Cover caps	
4. Front panel	
5. 199 Inner front brackets	
6. 199 Rear brackets	
7. Front rail	

270mm	244mm	280mm
300mm	274mm	310mm
350mm	324mm	360mm
400mm	374mm	410mm
450mm	424mm	460mm
500mm	474mm	510mm
550mm	524mm	560mm

Slides installation

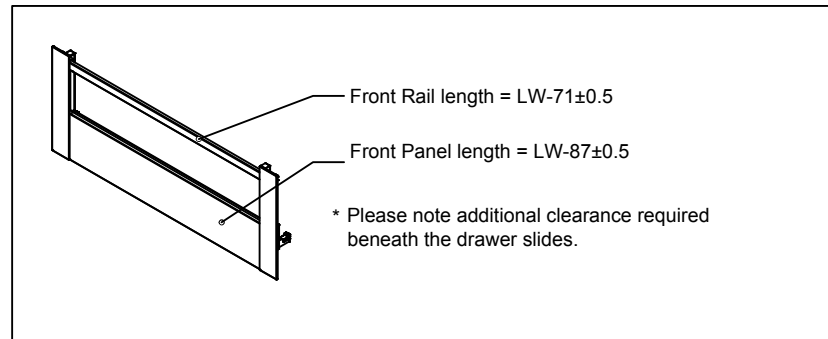
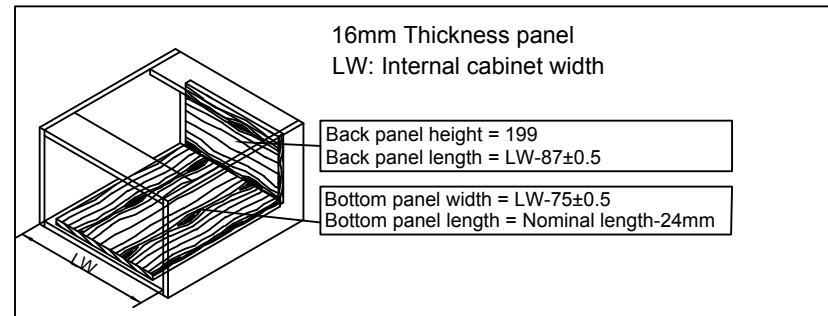


TB-199 Installation dimensions

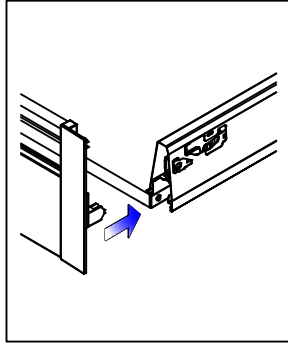
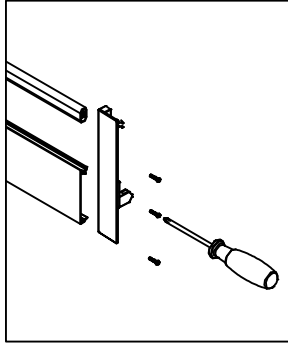


* Please note additional clearance required beneath the drawer slides.

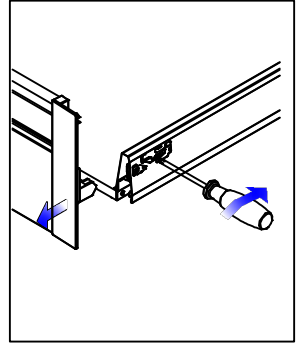
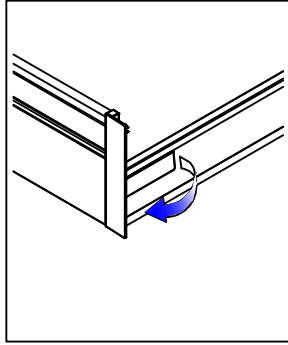
Bottom and back panels measurement



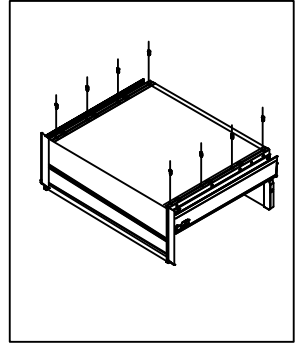
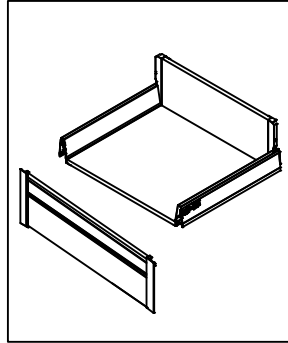
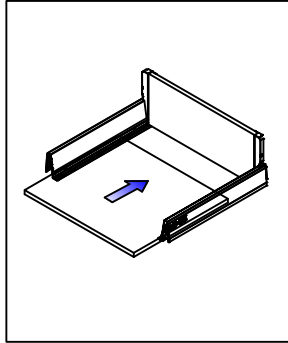
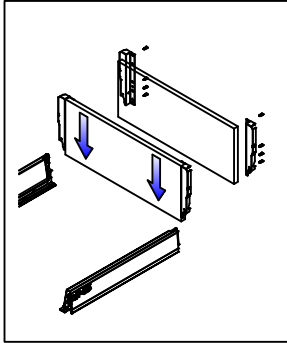
Install inner drawer front



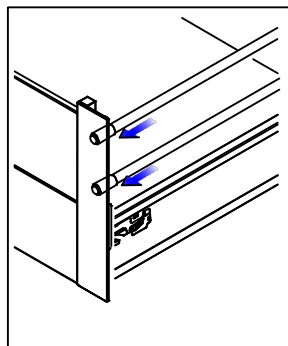
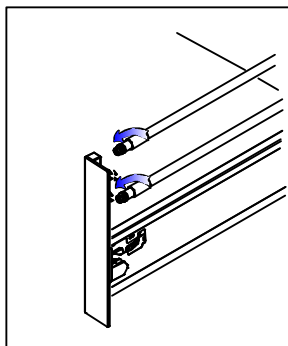
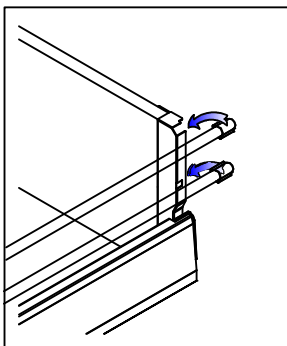
Disassemble inner drawer front



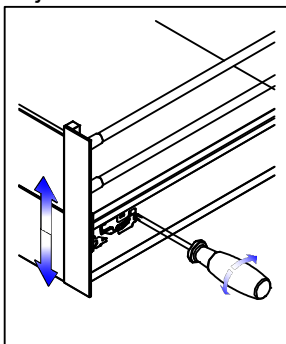
Drawer assembly



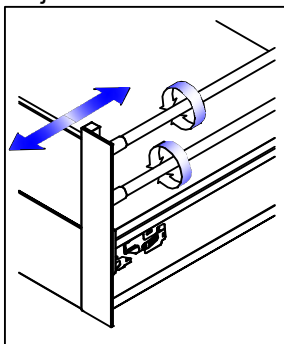
Gallery assembly



Inner drawer front height adjustment $\pm 2\text{mm}$



Drawer front top in/out adjustment



Ensure clearance to open drawer

