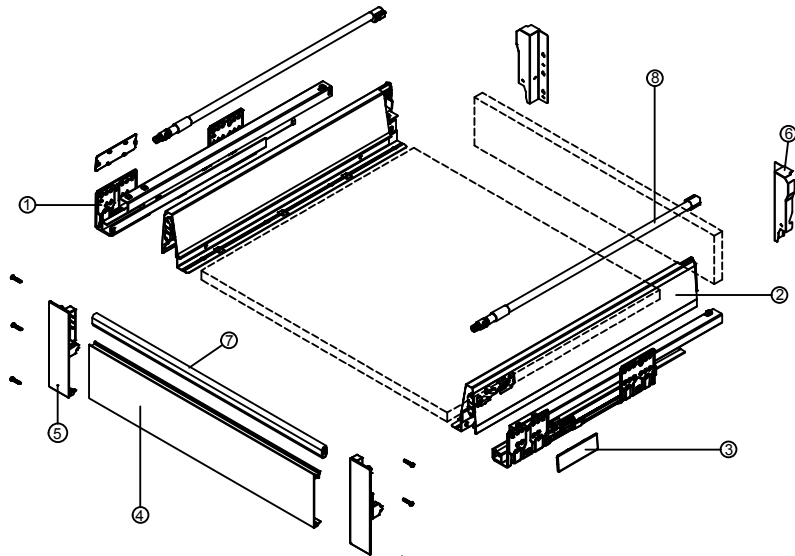


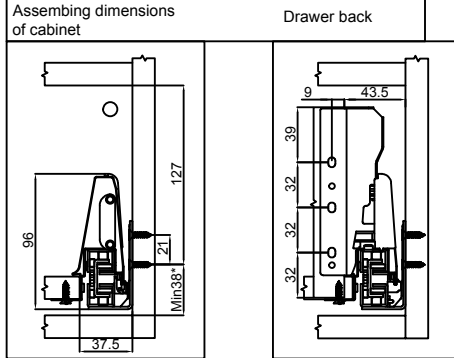
R 908 Series - 135mm Inner Drawer Components



- 1. Slides (L/R)
- 2. Drawer profiles (L/R)
- 3. Cover caps
- 4. Front panel
- 5. 135 Inner front brackets
- 6. 135 Rear brackets
- 7. Front rail
- 8. Upper gallery rails

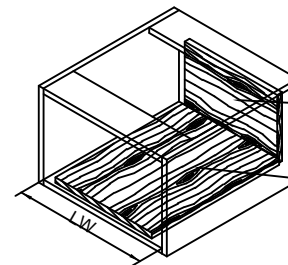
Nominal length	Internal drawer length	Min.installation length of drawer
270mm	244mm	280mm
300mm	274mm	310mm
350mm	324mm	360mm
400mm	374mm	410mm
450mm	424mm	460mm
500mm	474mm	510mm
550mm	524mm	560mm

TB-135 Installation dimensions



* Please note additional clearance required beneath the drawer slides.

Bottom and back panels measurement

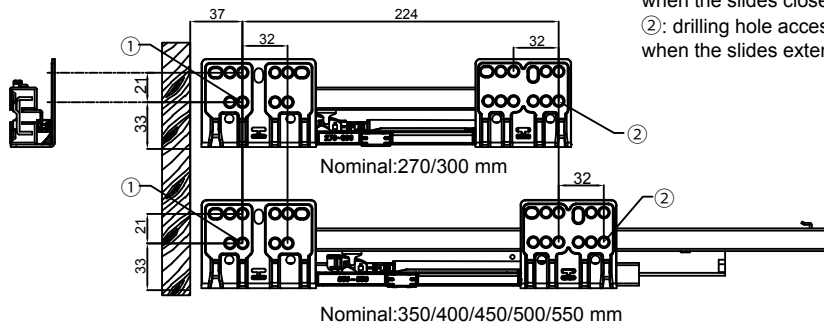


16mm Thickness panel
LW: Internal cabinet width

Back panel height = 135
Back panel length = LW-87±0.5

Bottom panel width = LW-75±0.5
Bottom panel length = Nominal length-24mm

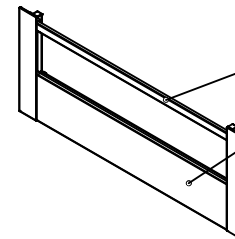
Slides installation



- ①: drilling hole accessible when the slides closed.
- ②: drilling hole accessible when the slides extended.

Nominal: 270/300 mm

Nominal: 350/400/450/500/550 mm

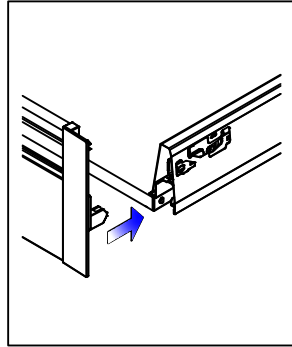
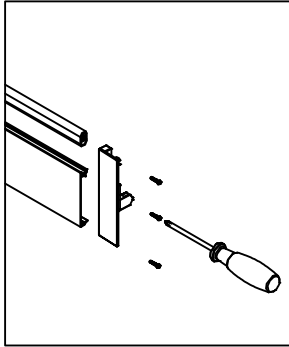


Front Rail length = LW-71±0.5

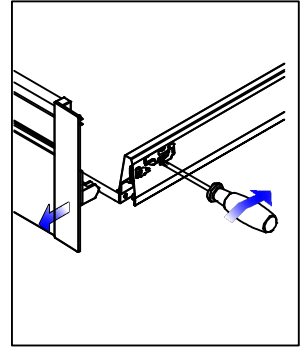
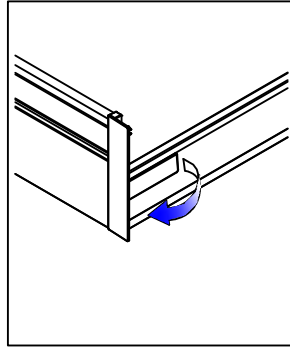
Front Panel length = LW-87±0.5

* Please note additional clearance required beneath the drawer slides.

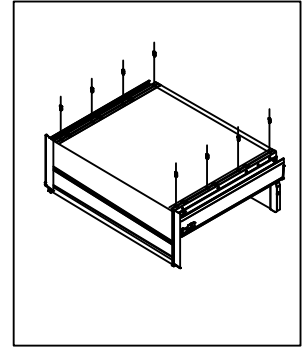
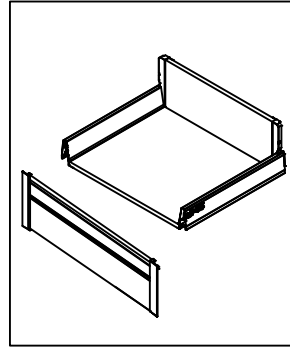
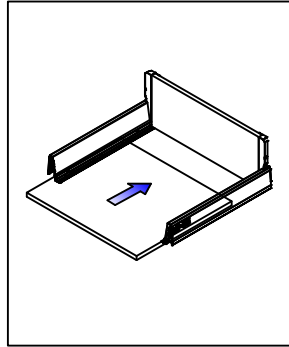
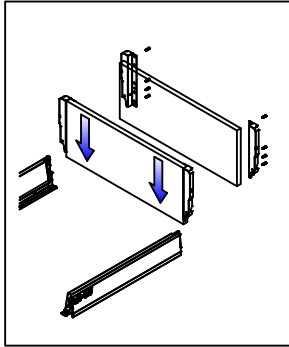
Install inner drawer front



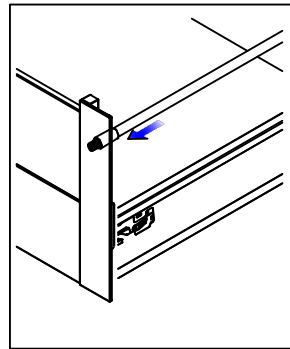
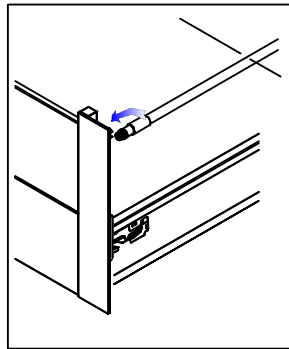
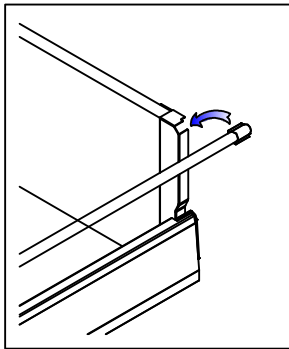
Disassemble inner drawer front



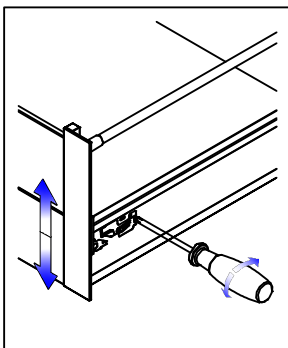
Drawer assembly



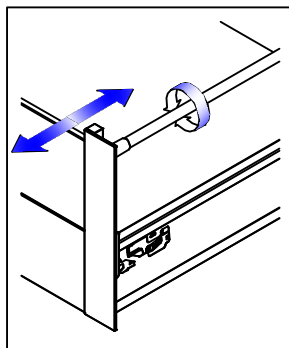
Gallery assembly



Drawer front height adjustment $\pm 2\text{mm}$



Drawer front top in/out adjustment



Ensure clearance to open drawer

