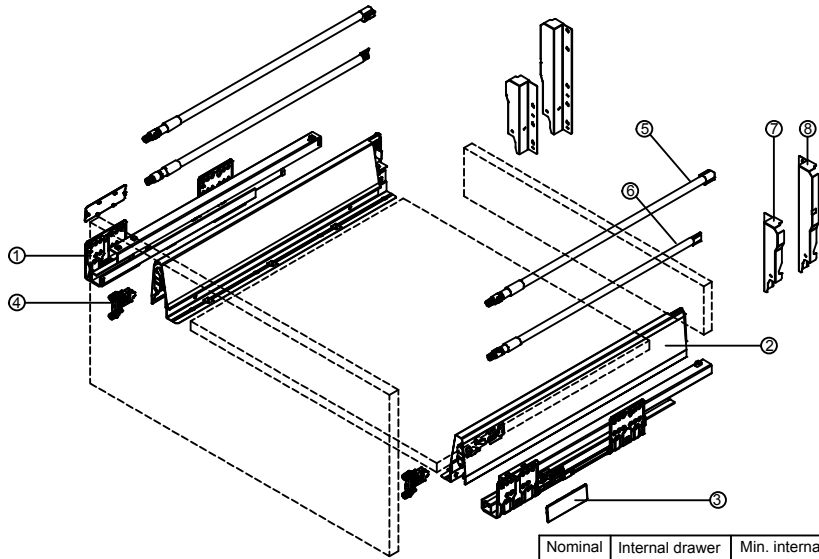


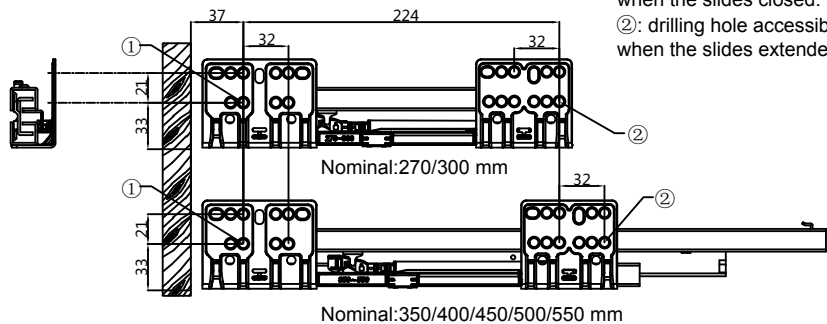
# R 908 Series - 135/167/199mm Components



- |                         |                                       |
|-------------------------|---------------------------------------|
| 1. Slides (L/R)         | 6. Mid gallery rails (199 model only) |
| 2. Drawer profile (L/R) | 7. 135 or 167 rear fixing bracket     |
| 3. Cover caps           | 8. 199 rear fixing brackets           |
| 4. Front brackets       |                                       |
| 5. Upper gallery rails  |                                       |

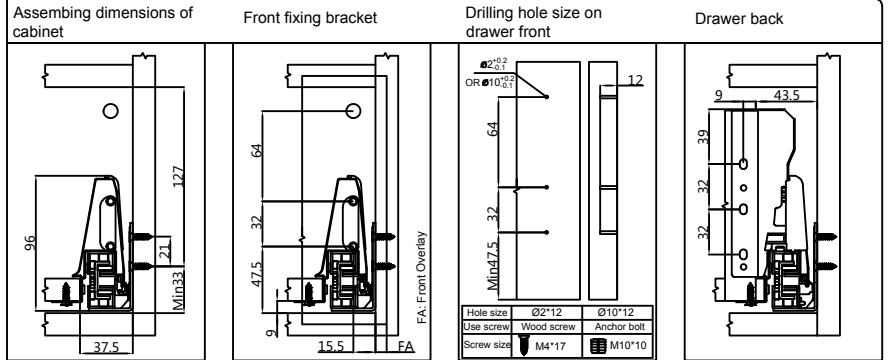
Nominal size	Internal drawer depth	Min. internal cabinet depth
270mm	244mm	280mm
300mm	274mm	310mm
350mm	324mm	360mm
400mm	374mm	410mm
450mm	424mm	460mm
500mm	474mm	510mm
550mm	524mm	560mm

## Slides installation

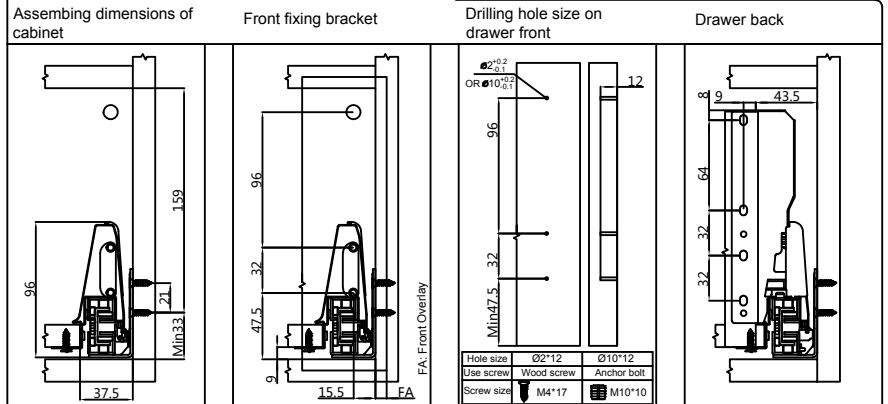


- ①: drilling hole accessible when the slides closed.  
 ②: drilling hole accessible when the slides extended.

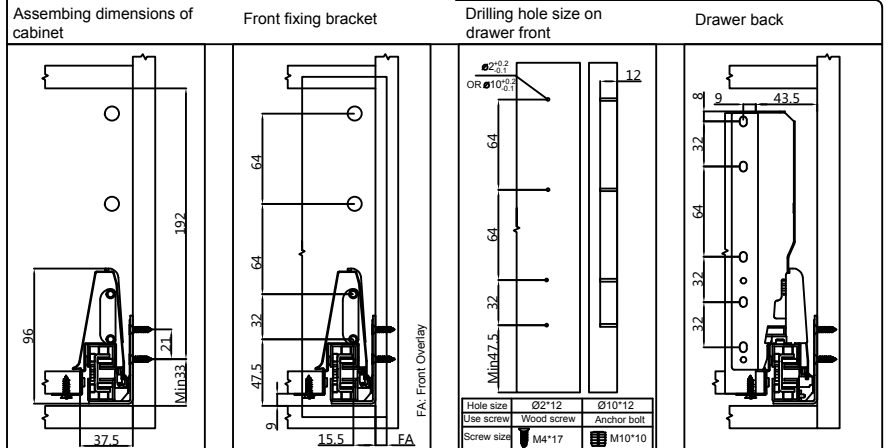
## 135mm Installation dimensions



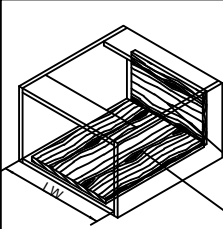
## 167mm Installation dimensions



## 199mm Installation dimensions



Bottom and back panels measurement



16mm Thickness panel  
LW: Internal cabinet width

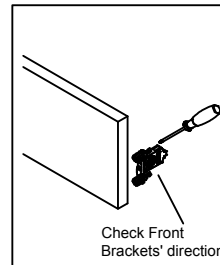
Nominal Length:  
270/300/350/400/450/500/550mm

Drawer size	135	167	199
Back panel height	135	167	199

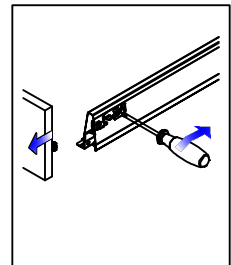
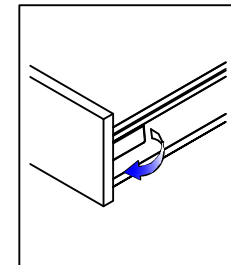
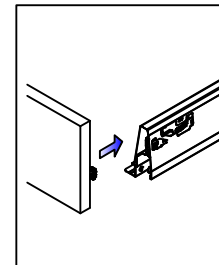
Back panel width = LW-87±0.5

Bottom panel width = LW-75±0.5  
Bottom panel length = Nominal length-24mm

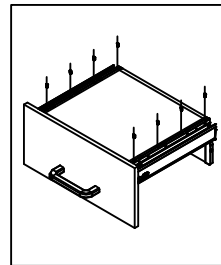
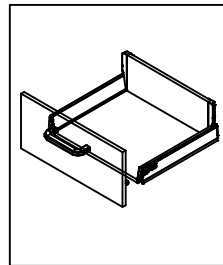
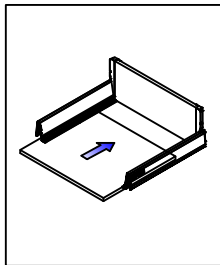
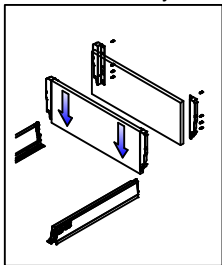
Install wooden drawer front



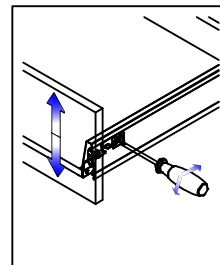
Disassemble wooden drawer front



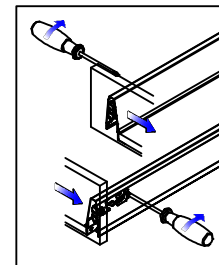
Drawer assembly



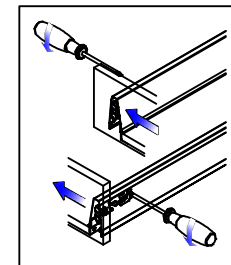
Drawer front height adjustment: ±2mm



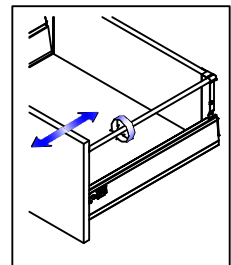
Drawer front right adjustment 1mm



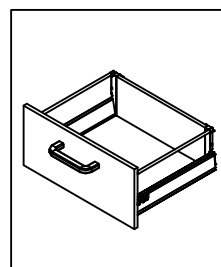
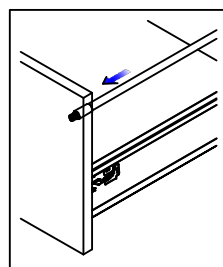
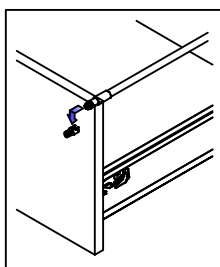
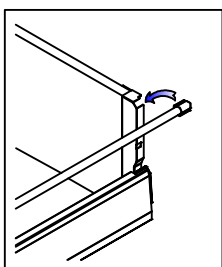
Drawer front left adjustment 1mm



Gradient adjustment



Gallery assembly



Install & uninstall drawer

