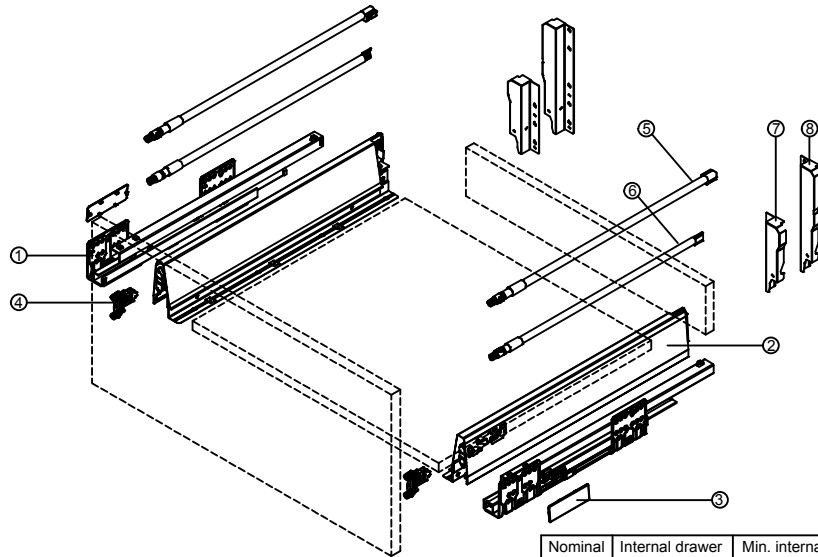


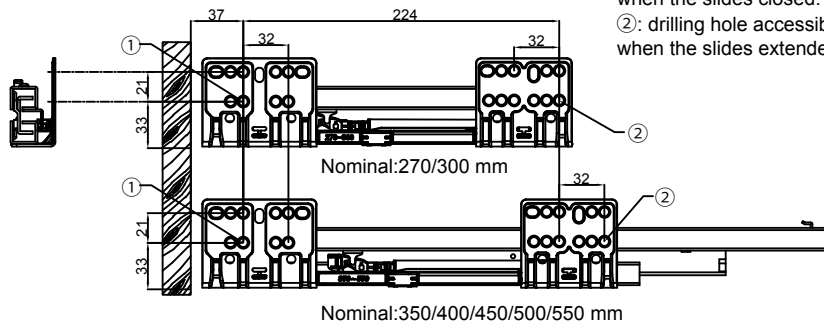
R 908 Series - 135/167/199mm Components



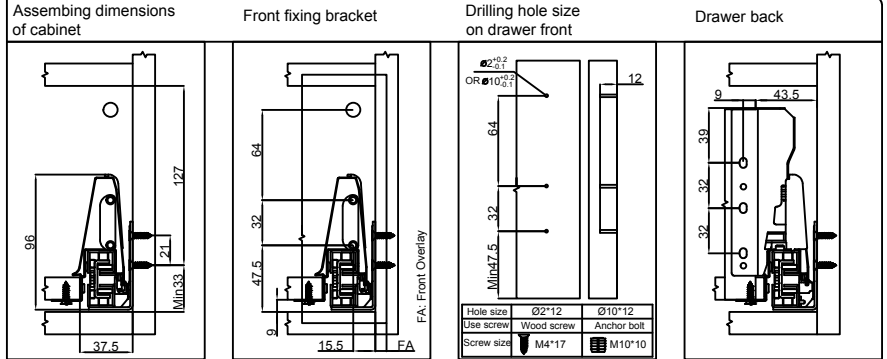
- | | |
|-------------------------|---------------------------------------|
| 1. Slides (L/R) | 6. Mid gallery rails (199 model only) |
| 2. Drawer profile (L/R) | 7. 135 or 167 rear fixing bracket |
| 3. Cover caps | 8. 199 rear fixing brackets |
| 4. Front brackets | |
| 5. Upper gallery rails | |

Nominal size	Internal drawer depth	Min. internal cabinet depth
270mm	244mm	280mm
300mm	274mm	310mm
350mm	324mm	360mm
400mm	374mm	410mm
450mm	424mm	460mm
500mm	474mm	510mm
550mm	524mm	560mm

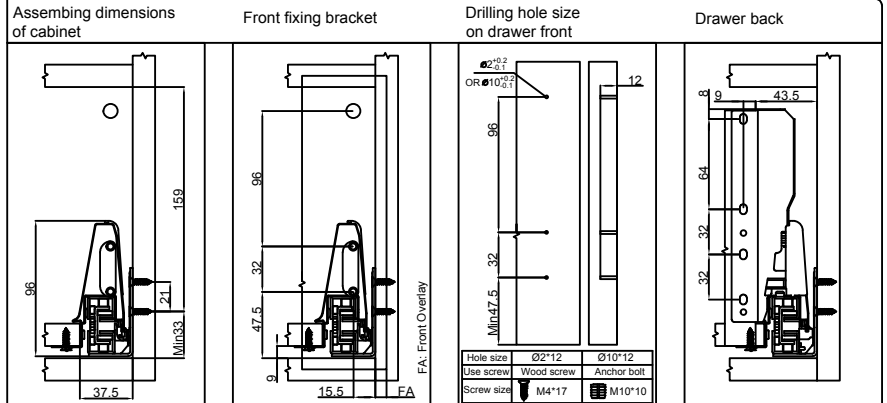
Slides installation



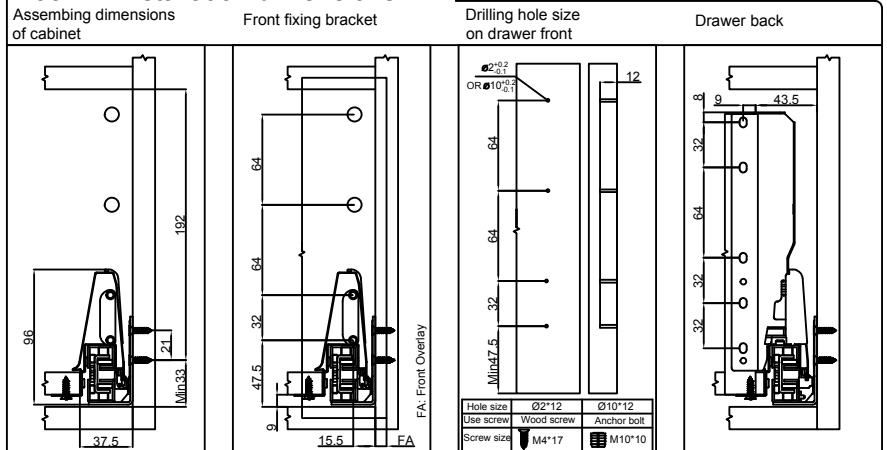
135mm Installation dimensions



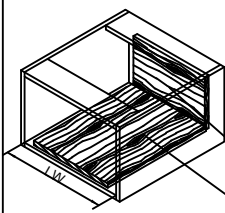
167mm Installation dimensions



199mm Installation dimensions



Bottom and back panels measurement



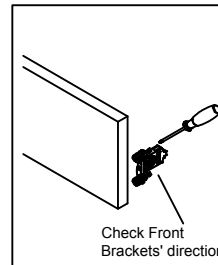
16mm Thickness panel
LW: Internal cabinet width
Nominal Length:
270/300/350/400/450/500/550mm

Drawer size	135	167	199
Back panel height	135	167	199

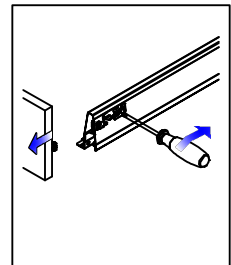
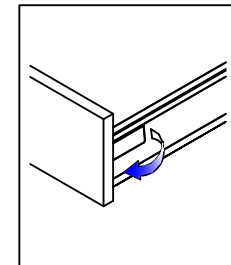
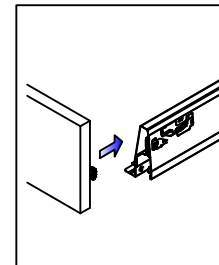
Back panel width = LW-87±0.5

Bottom panel width = LW-75±0.5
Bottom panel length = Nominal length-24mm

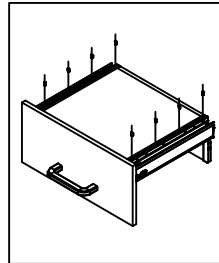
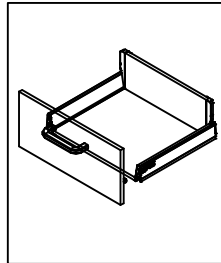
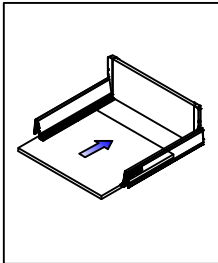
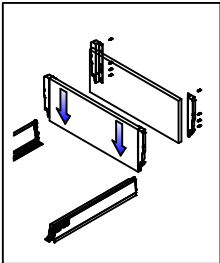
Install wooden drawer front



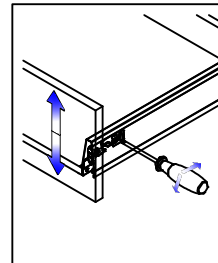
Disassemble wooden drawer front



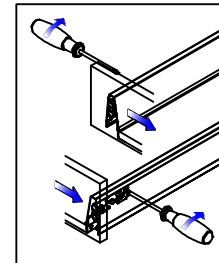
Drawer assembly



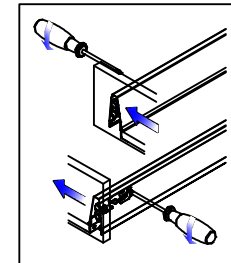
Drawer front height adjustment : ±2mm



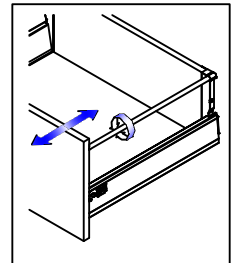
Drawer front right adjustment 1mm



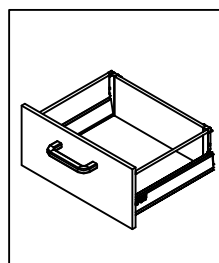
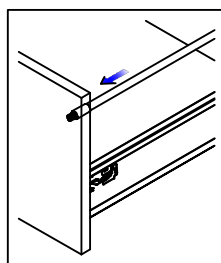
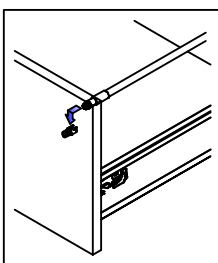
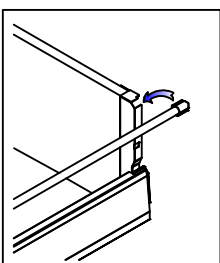
Drawer front left adjustment 1mm



Drawer front top in/out adjustment



Gallery assembly



Install & uninstall drawer

