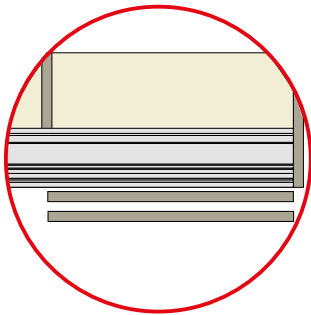


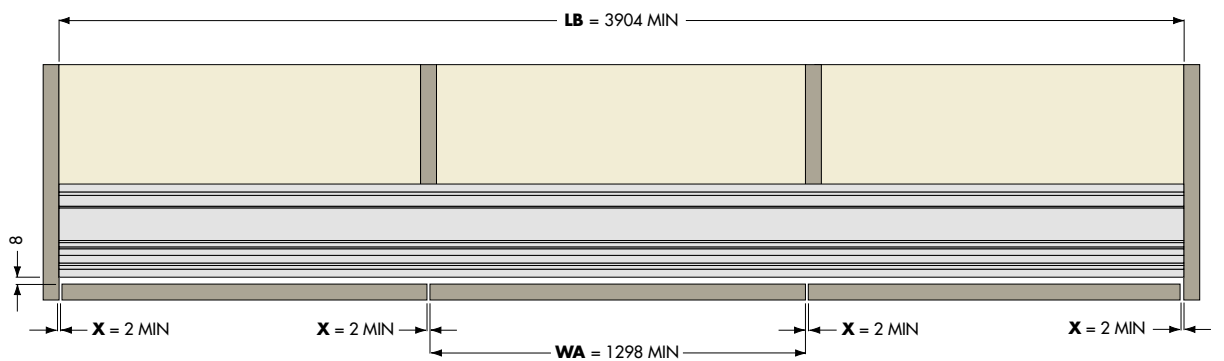
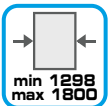
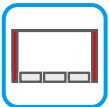
$LB = 3WA + 2X - 2S$
$WA = (LB - 2X + 2S) / 3$

CHEVAUCHEMENT TOTAL DE LA PORTE
TOTAL OVERLAPPING OF THE DOOR



ABRÉVIATIONS:
LB = largeur rail
WA = largeur porte
S = chevauchement

ABBREVIATIONS:
 LB = rail length
 WA = door width
 S = overlapping



$LB = 3WA + 4X$
$WA = (LB - 4X) / 3$