

## Instruction Manual

### Revolving Closet System

#### Model No. KRZP63 (93) RCW-E

To Installer : Make sure to pass this instruction manual to customers after installation.

### Safety Precautions

Be sure to observe the following precautions.

To reduce the risk of injury, loss of life, electric shock, fire, malfunction, and damage to equipment or property, always observe the following safety precautions.

### Explanation of symbols

- The following symbols are used to classify and describe the level of hazard, injury, and property damage caused when the denotation is disregarded and improper use is performed.



#### CAUTION

Denotes a hazard that could result in minor injury.

- The following symbols are used to classify and describe the type of instructions to be observed.



This symbol is for things you must take note of. Its content serves as a reminder.



This symbol is used to alert users to a specific operating procedure that must not be performed.



This symbol is used to alert users to a specific operating procedure that must be followed in order to operate the unit safely.

**! CAUTION**



Disassembly is prohibited.

**Attempts to disassemble, repair or alter the product is prohibited as this may result in product damage or failure and personal injury.**

If repairs are needed, please contact the dealer.

**The Revolving Closet System is intended for the sole use of hanging clothing.**

Do not enter the cabinet or hang from any part of the Revolving Closet System. Doing so could damage the product and could result in product failure or personal injury.



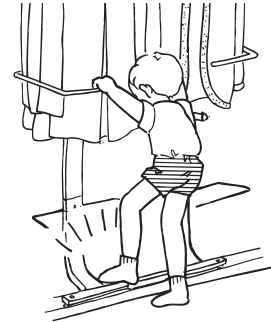
Prohibited



Prohibited

**Do not place hands, feet, or head inside the rotating unit.**

Doing so could easily result in physical injury.



**Take special precaution that children are not inside the unit, particularly when being rotated.**

Doing so could easily result in physical injury.



## 1 Precautions for Use

Always make sure that sleeves and other parts of clothing are inside the protective frame.

Never hang items from the protective frame. Doing so could damage the clothing or product and result in product failure.



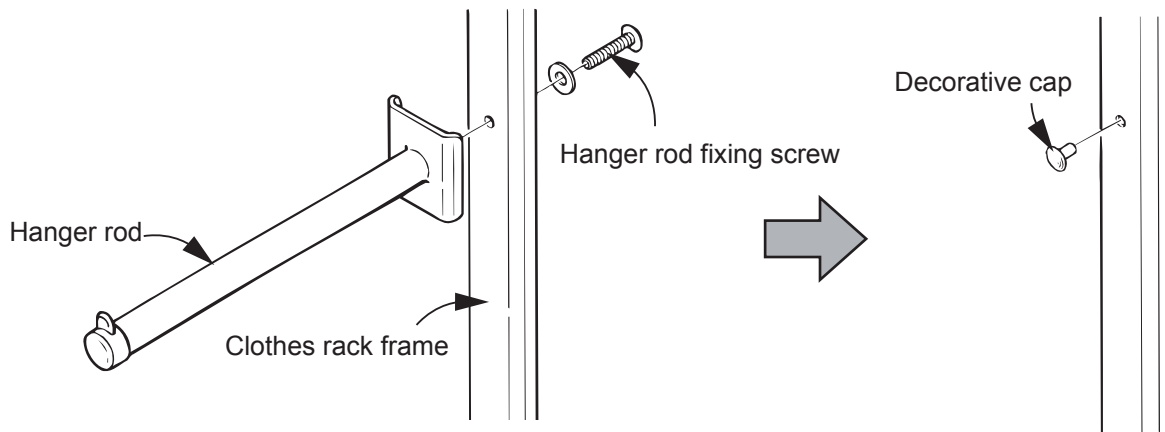
Always rotate the rack slowly after gripping it firmly by the protective frame.



## 2 Disassembly instructions

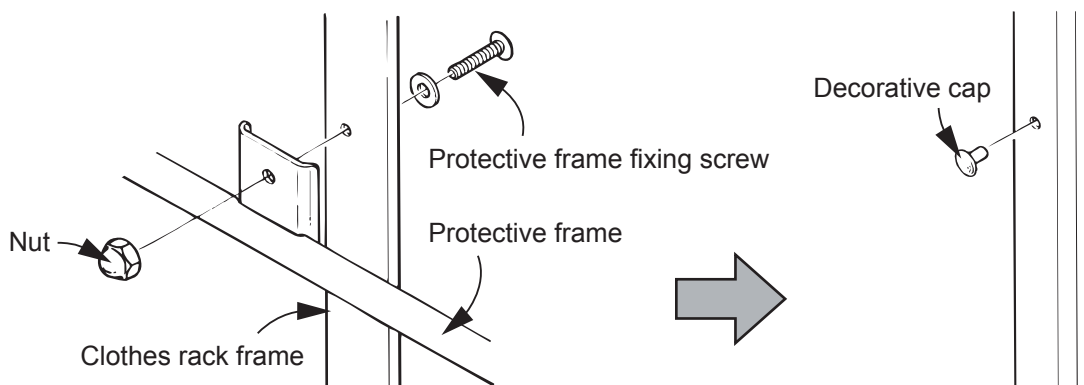
### ■ Removing the clothes rails

Loosen the clothes rail fixing screw, then remove the clothes rail. After removing it, place the decorative cap over the hole.



### ■ Removing the protective frame

Loosen the protective frame fixing screw and nut, then remove the protective frame. Once you have removed the protective frame, place the decorative cap over the hole.



### 3

## Cleaning and Care

- When cleaning the unit, wipe with a sponge soaked in diluted dishwashing detergent. (Avoid using alkaline cleaners or acidic cleaners.)



※Do not use any harsh chemicals powder cleansers, paint thinners, or benzine.

If used, the surface of the product might be scratched or degraded, or become discolored.

