

# “FREEslide” - OPENING MECHANISM

Reliable power pack, slimline design, strong performance



## “FREEslide” FITTING SET

Nickel plated

### A set consists of:

- 2 “FREEslide” fittings (right and left)
- 2 door connecting plates
- 2 sleeves
- Drilling pattern



## “FREEslide” VERSATILE PARALLEL LIFTER SOLUTION

For highboards and for appliance cupboards, for example microwave cupboards.

- Precision lift is parallel to the door of the carcass
- Ideal for specific applications in kitchens, bathrooms and living areas
- Full access to contents

### SOFT & FLUID MOVEMENT SEQUENCES

Even heavy doors open and close effortlessly.

- “Multi-Position-STOPP”
- German Design Award SPECIAL MENTION 2015



Product number	Door height		Load capacity* (lb)
	(in)	(mm)	
2719016	12-19/32 - 14-11/64	320 - 360	6.60 - 12.56
2719040	13-37/64 - 16-17/32	345 - 420	5.29 - 10.58
2719050	13-37/64 - 16-17/32	345 - 420	9.00 - 17.63
2719060	13-37/64 - 16-17/32	345 - 420	16.31 - 30.86
2719090	14-61/64 - 19-11/16	380 - 500	7.49 - 14.77
2719130	16-59/64 - 23-5/8	430 - 600	5.73 - 12.12
2719140	16-59/64 - 23-5/8	430 - 600	11.00 - 21.38

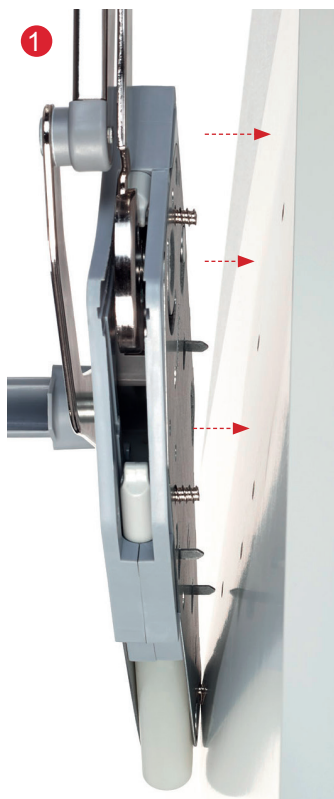
\* Including door weight and handle weight

# "FREEslide" - OPENING MECHANISM

Reliable power pack, slimline design, strong performance

"ClickFixx", positioning tabs and premounted screws make assembly simple and errorproof.

## TIGHTEN THE PREMOUNTED EURO SCREWS



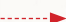


## INSTALL THE DOOR BRACKETS



## SIMPLY CLICK-LOCK IN PLACE



## ADJUSTMENTS

- Adjust door panel tilt 
- Adjust the side gaps 
- Vertical adjustment for the door panel 

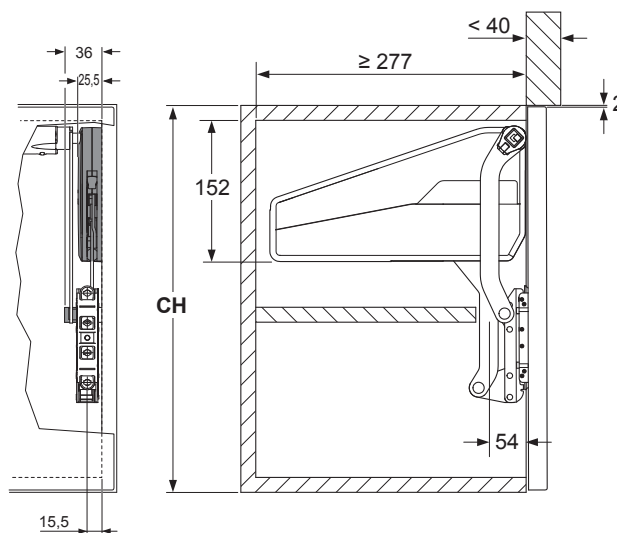


## TORSION BARS Anodized aluminum

(Requires one of the following)

Product number	Carcass width		Carcass thickness		Bar length	
	(in)	(mm)	(in)	(mm)	(in)	(mm)
2719180	23-5/8	600	5/8 / 3/4	16 / 19	18-21/32	474
2719190	31-1/2	800	5/8 / 3/4	16 / 19	26-17/32	674
2719200	35-7/16	900	5/8 / 3/4	16 / 19	30-15/32	774
2719210	39-3/8	1 000	5/8 / 3/4	16 / 19	34-13/32	874
2719220	47-1/4	1 200	5/8 / 3/4	16 / 19	42-9/32	1 074
2718540	62-63/64	1 600	5/8 / 3/4	16 / 19	57-7/8	1 470

## COMPACT DESIGN, EASY ASSEMBLY



## COVER CAP

for opening system "FREEslide"  
(Requires one of the following, sold by pair)

Product number	Color
2718207100	Gray
271820930	White

## ADAPTOR

for 25/32" (20mm)  
aluminum frame (Optional)



Product number	Finish
2716870	Nickel plated