

# “FREEflap Forte” - OPENING MECHANISM

Reliable power pack, slimline design, strong performance



**“FREEflap Forte”  
MINI LIFTER  
MAXI BENEFITS!**

- Minimal installation depth - 4-41/64” (118mm)
- Generates force to lift up to 60lb (27.3kg)
- 90° or 107° total opening angles

## SOFT & FLUID MOVEMENT SEQUENCES

Even heavy doors open and close effortlessly.

- “Multi-Position-STOPP”
- German Design Award SPECIAL MENTION 2015

Gray	2716647100	2716657100	2716667100	2716677100
White	271664930	271665930	271666930	271667930

Carcase height		Load capacity* (lb)			
(in)	(mm)				
≥13-25/32	≥350	11.46 - 24.25	14.77 - 31.53	22.27 - 47.18	29.76 - 60.19
≤14-49/64	≤375	10.80 - 22.49	13.89 - 28.88	20.72 - 43.65	27.56 - 55.56
≤15-3/4	≤400	10.36 - 21.16	13.00 - 27.34	19.62 - 41.00	26.01 - 51.37
≤16-47/64	≤425	9.70 - 19.84	12.35 - 25.57	18.30 - 38.36	24.25 - 48.06
≤17-23/32	≤450	9.04 - 18.52	11.46 - 24.03	17.20 - 35.94	22.93 - 45.19
≤18-45/64	≤475	8.60 - 17.64	10.80 - 22.71	16.31 - 33.95	21.61 - 42.55
≤19-11/16	≤500	8.16 - 16.53	10.36 - 21.38	15.43 - 32.19	20.28 - 40.34
≤20-43/64	≤525	7.72 - 15.65	9.70 - 20.28	14.55 - 30.64	19.40 - 38.14
≤21-21/32	≤550	7.28 - 14.99	9.26 - 19.40	13.89 - 29.10	18.30 - 36.38
≤22-41/64	≤575	7.05 - 14.33	8.82 - 18.52	13.23 - 27.56	17.64 - 34.39
≤23-5/8	≤600	6.61 - 13.67	8.38 - 17.64	12.57 - 26.46	16.76 - 33.07
≤24-39/64	≤625	6.17 - 13.01	7.94 - 16.76	11.91 - 25.35	15.87 - 31.75
≤25-19/32	≤650	5.73 - 12.35	7.50 - 16.09	11.68 - 24.25	15.21 - 30.86

\* Including door weight and handle weight



## “FREEflap Forte” FITTING SET

Nickel plated



### A set consists of:

- 2 “FREEflap Forte” fittings (right and left)
- 2 cover caps for the fittings (right and left)
- 2 door connecting plates
- Drilling pattern

# “FREEflap Forte” - OPENING MECHANISM

Reliable power pack, slimline design, strong performance

**COMPACT DESIGN,  
EASY ASSEMBLY**

“ClickFixx”, positioning tabs and premounted screws make assembly simple and errorproof.

**TIGHTEN THE PREMOUNTED EURO SCREWS**

**SIMPLY CLICK-LOCK IN PLACE**

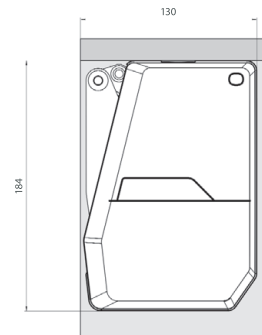


**PRECISION ADJUSTMENT MADE EASY**

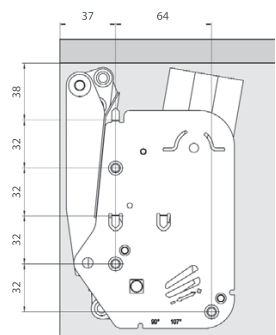
The only tool needed for complete 3D adjustment is a PZ2 screwdriver.



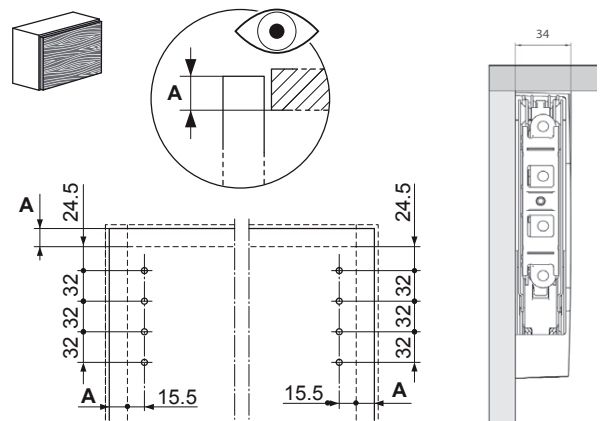
Left fitting with cover cap



Left fitting without cover cap



**CONNECTING THE DOOR PANEL TO “FREEflap Forte”**



Connecting wooden doors and wide aluminum frame doors

**IMPORTANT! THIS MECHANISM DOES NOT REQUIRE HINGES.**

**ADAPTOR**

for 25/32" (20mm) aluminum frame (Optional)



Product number	Finish
2716870	Nickel plated