

**i**

Y	X
16	83
19	74
22	64
26	52
28	46

mm

**1**

mm

**2**

5 mm

9 mm

mm

**i**

**i**

$B^* = A2 - 5,5$   
 $B \text{ min.} = 7,0$   
 $B \text{ max.} = 13,5$

$A2 = K - F$

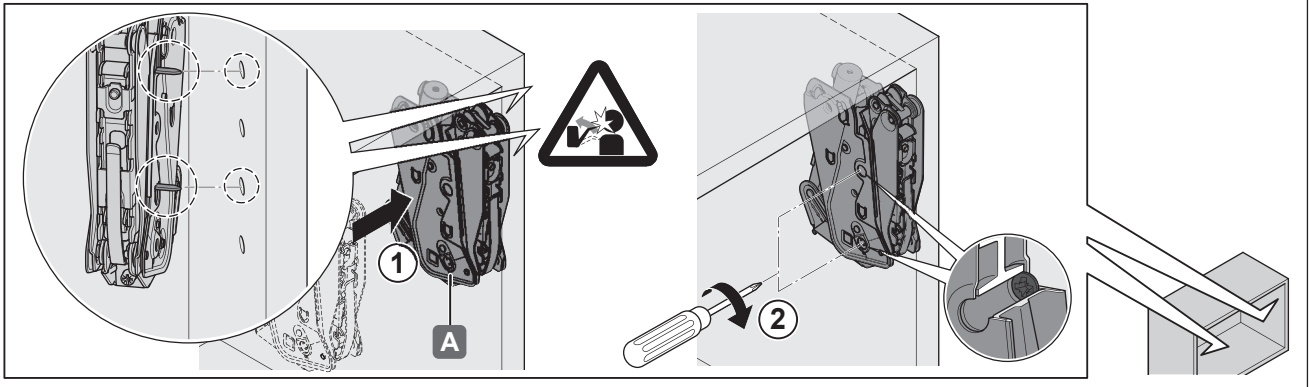
Euro  $\varnothing 6,3$

4028900000

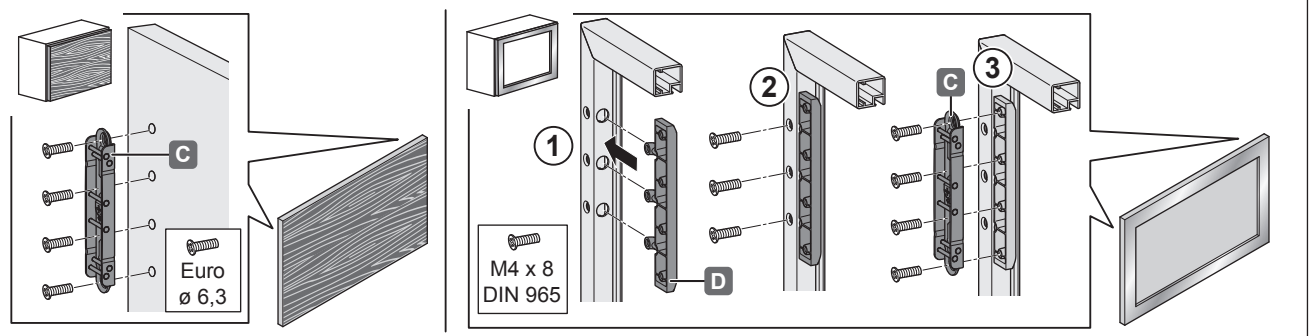
12.0001.010.394.0000.00

HDE 31.10.2013

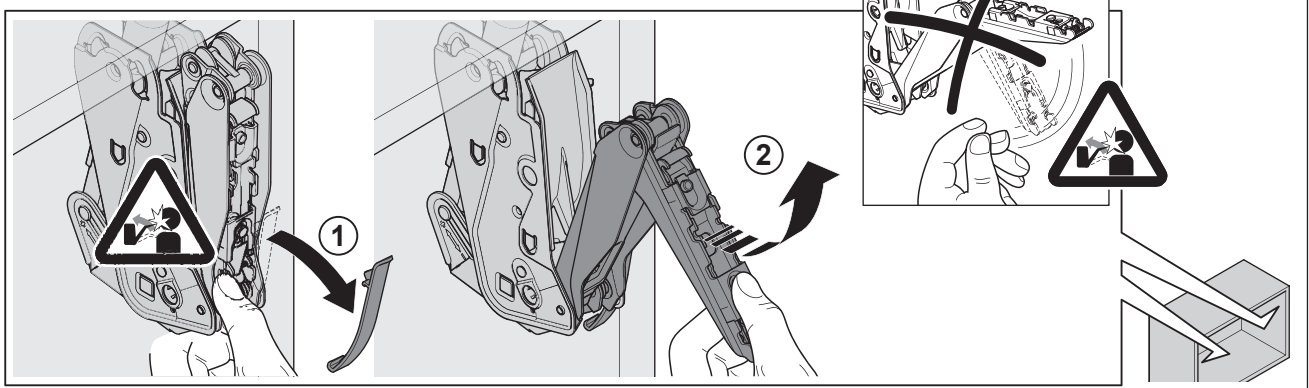
3



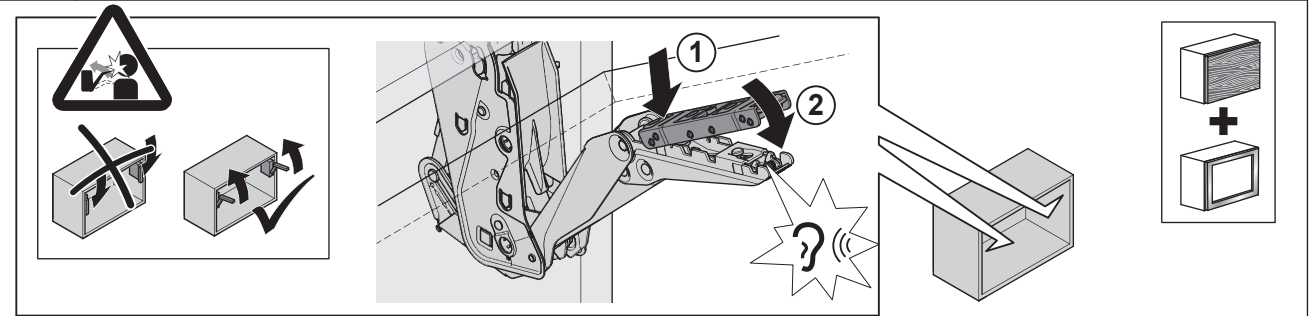
4



5



6

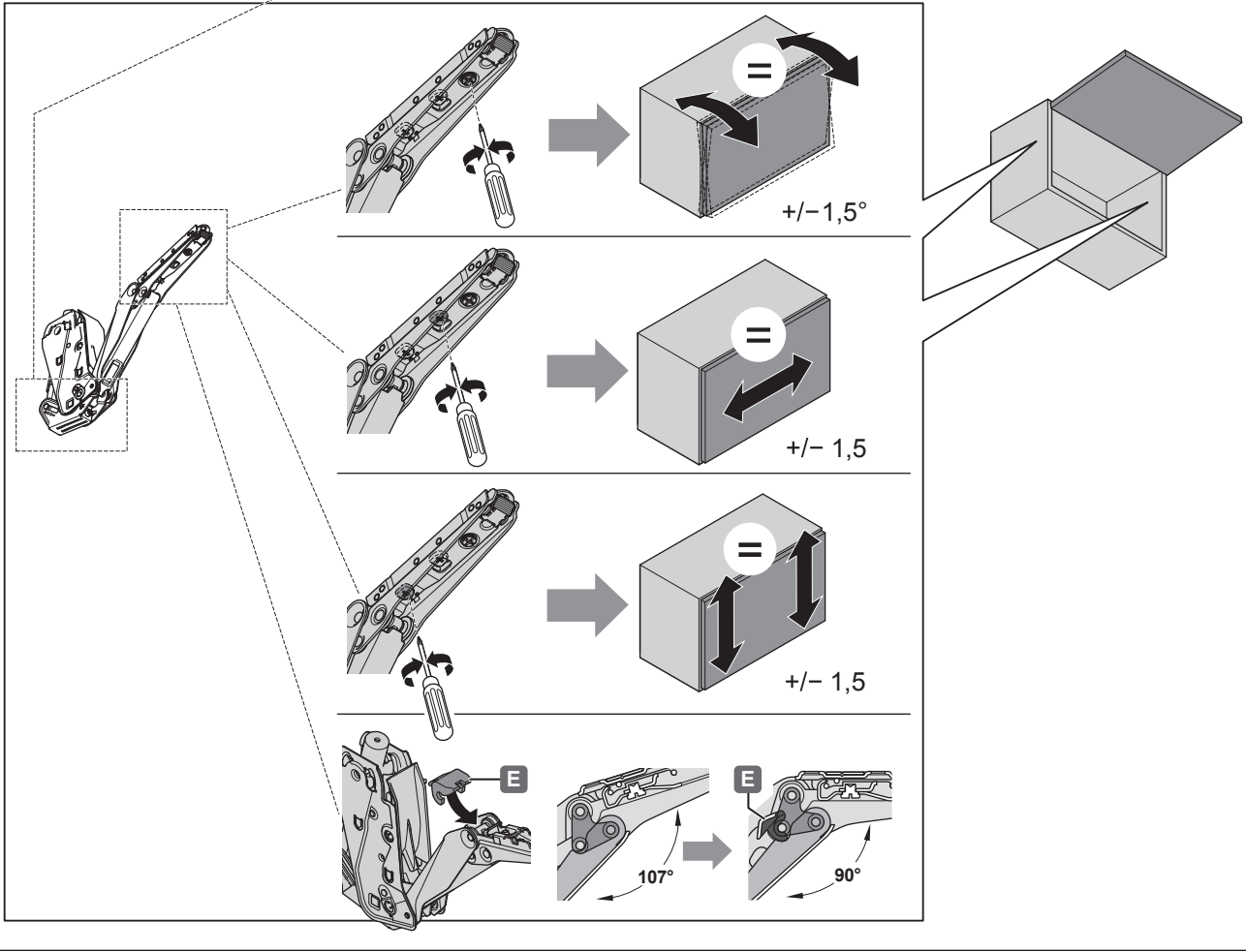
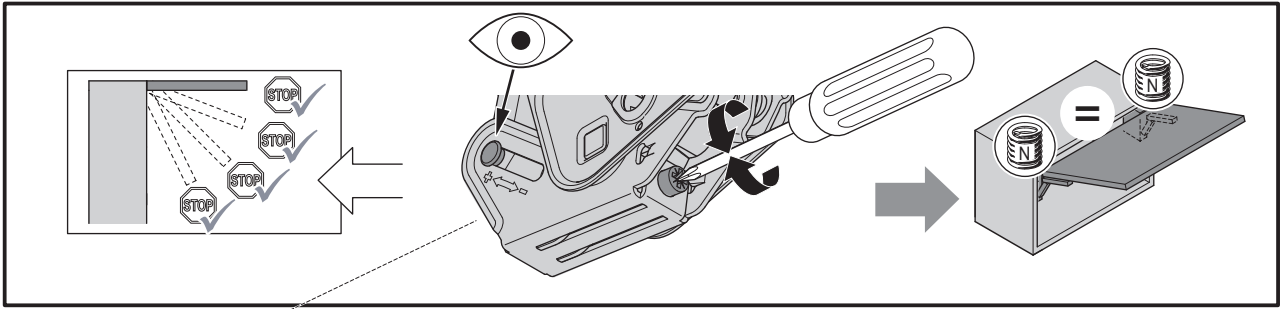


4028900000

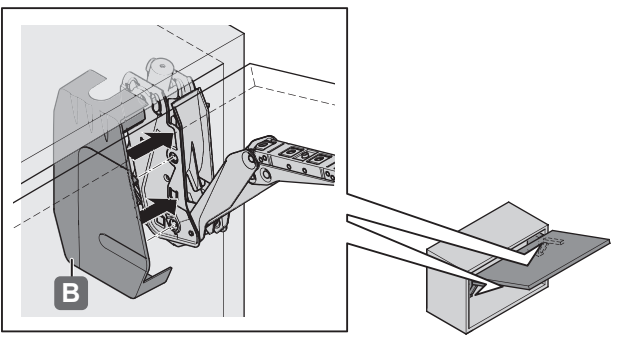
12.0001.010.394.0000.00

HDE 31.10.2013

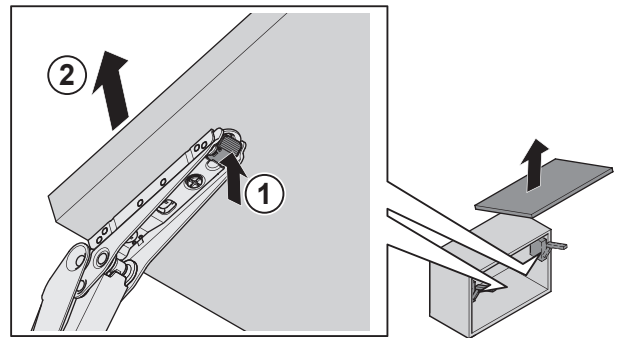
6



7



i



4028900000

12.0001.010.394.0000.00

HDE 31.10.2013