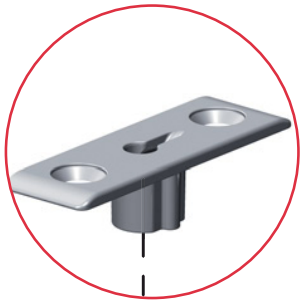
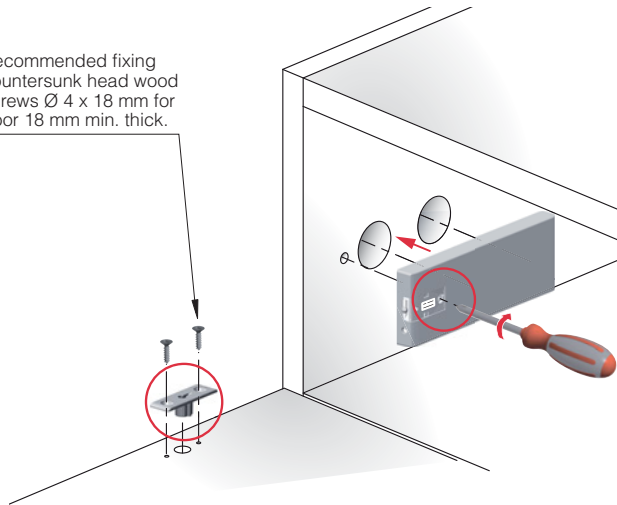


INSTALLATION

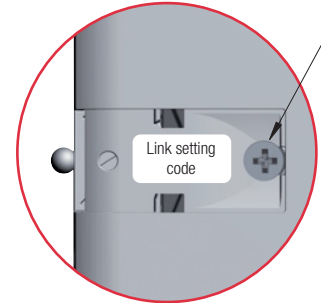


The door bracket has to be placed with the narrow part of the drop-shaped slot facing the cabinet.

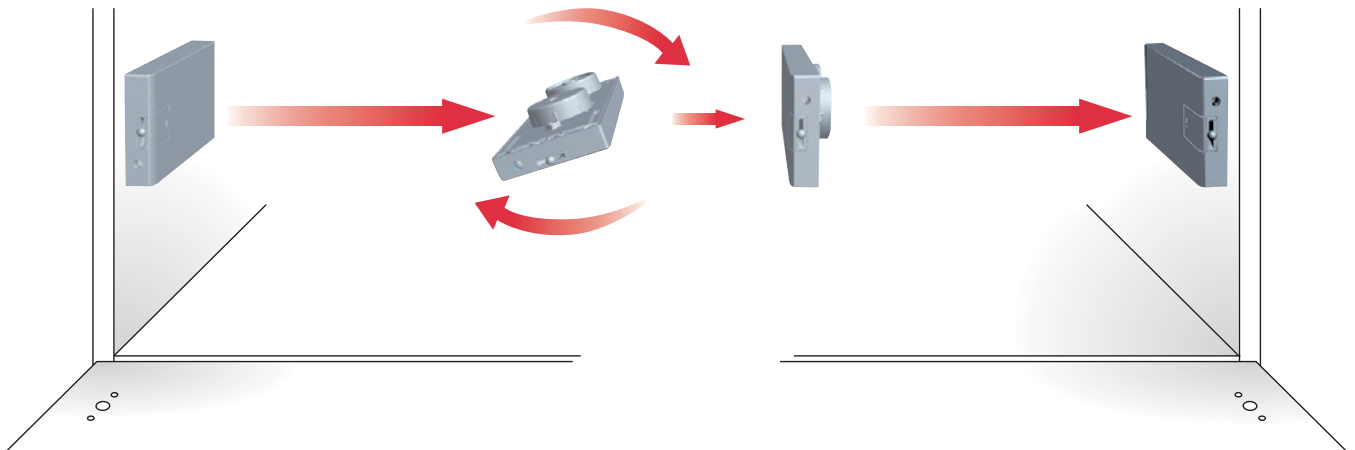
Recommended fixing countersunk head wood screws $\varnothing 4 \times 18$ mm for door 18 mm min. thick.



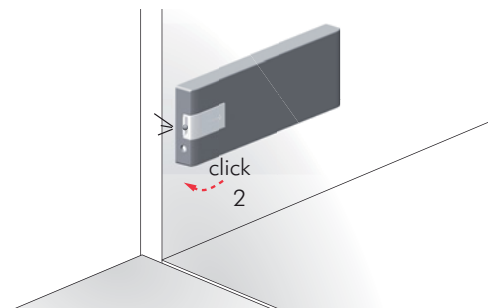
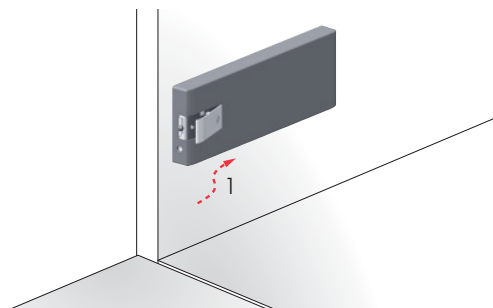
Pre-inserted screw $\varnothing 3,5 \times 16$ mm - PZ2.



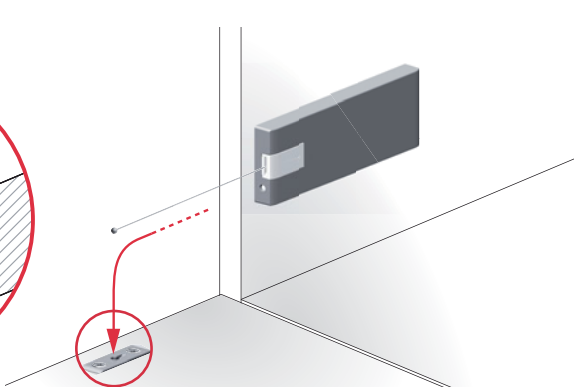
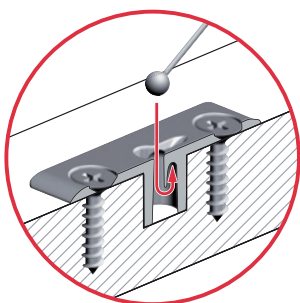
UNHANDED MECHANISM



COVER CAP INSERTION



METAL WIRE INSERTION ONTO THE DOOR BRACKET



PLASTIC WIRE LOCKING

