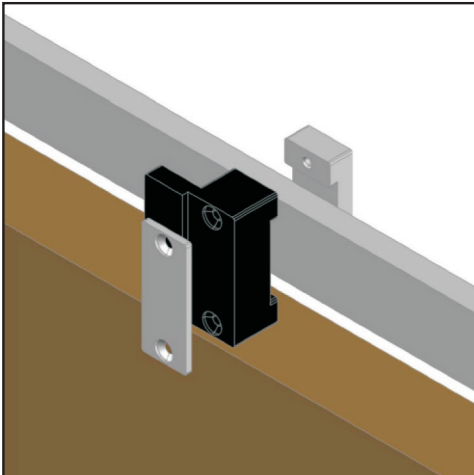
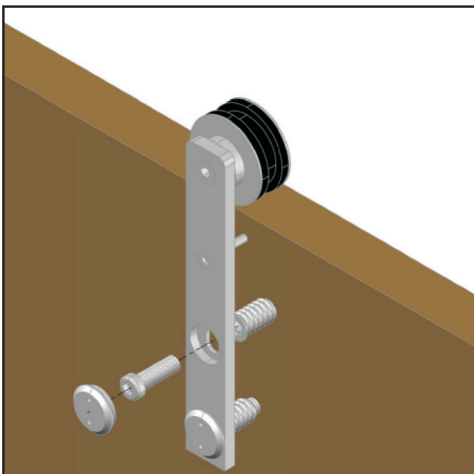


**Installation Instructions**



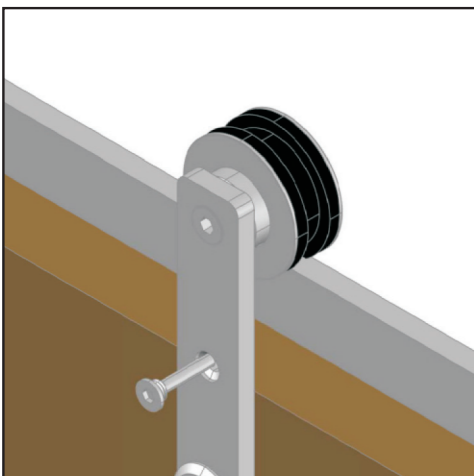
**STEP 6**  
**Install stoppers**

- Install the door stoppers on the left and right ends of the running rail.
- **WARNING:**  
To prevent sliding door from sliding off the running rail during installation.



**STEP 7**  
**Fastening the roller carriage**

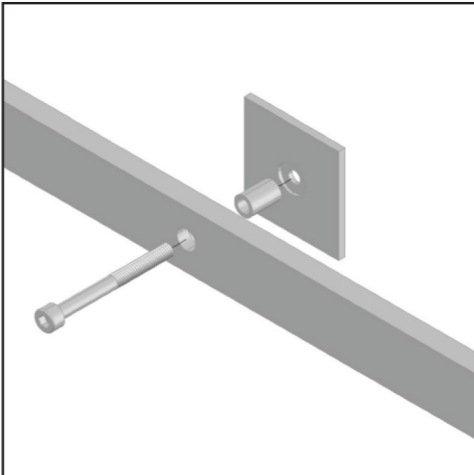
- Before installing the roller carriage on your wood door, be sure to outline the correct position and pre-drill your holes.
- Put wooden door on assembly stand.
- Remove lift-locking device and twist off wood thread bushings from roller carriage.
- **PAY ATTENTION! THE SWIVEL JOINT OF THE ROLLER CARRIAGE AND FASTENING SCREWS OF THE LIFT-LOCKING DEVICE COME IN ONE UNIT.**
- Screw the wood threaded bushings into the pre-drilled holes on the wood panel.
- Fit roller carriage in the right position on the door.
- Insert the screws into the wooden bushings on the door panel. Tighten by hand.
- Fasten the screw cover back to the roller.



**STEP 8**  
**Hanging the panel and fastening the lift-locking device**

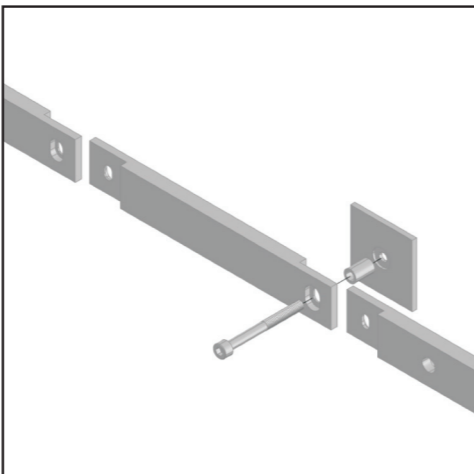
- Hang assembled sliding door onto the running rail.
- **FOR SECURITY REASONS:** put plastic wedges under the sliding door panel and ensure 7mm spacing.
- **PAY ATTENTION TO THE PREVIOUSLY INSTALLED FLOOR GUIDE!**
- Re-fasten the lift-locking device on the roller carriage.
- **WARNING:**  
Do not leave any space between the lift-locking device and the running rail!
- Remove plastic wedges.

**Installation Instructions**



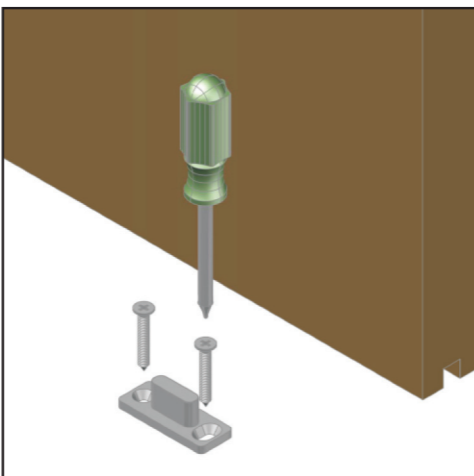
**STEP 3**  
**Fasten running rail on wall**

- Fasten both extremities of the running rail on the wall with the back plate and sleeve using the enclosed fastening devices.



**STEP 4**  
**Fasten running rail connector if installing a door 34" - 48"**

- Join both extremities of the running rail and connector together with the back plate and sleeve using the enclosed fastening devices.
- **WARNING:**  
If you have bought ADDITIONAL ITEM 1, you will have 2 connectors to install.



**STEP 5**  
**Fasten floor guide**

- Fasten floor guide on floor using enclosed fastening devices and according to technical detailed drawing.
- **WARNING:**  
The door leaf should run parallel to the wall and be positioned at the desired distance from the wall.



**Installation Instructions**  
**(8916605170 & 891660590)**

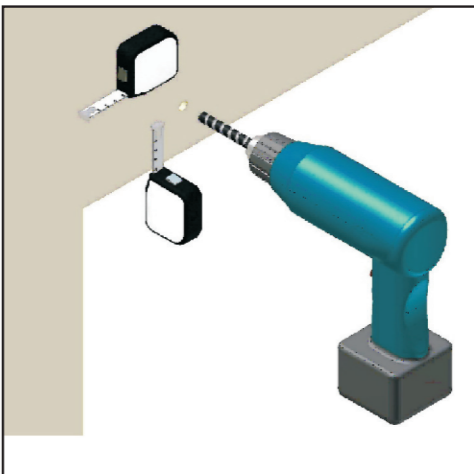
**Installation Instructions**



**You need**

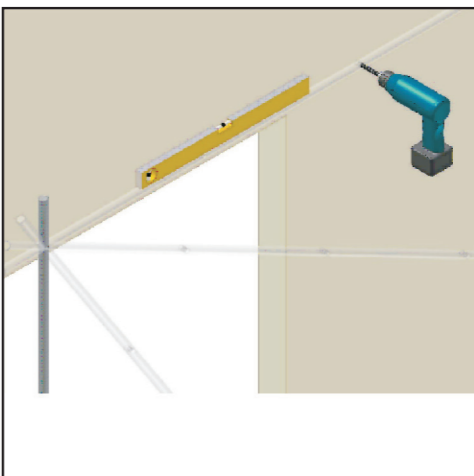
- Spirit level
- Measuring tape/foot rule
- Power drill
- 8 mm/10 mm drill bit for stone
- Phillips screwdriver
- Allen key set
- Plastic wedges

Please see safety instructions on power drill before starting assembly.



**STEP 1**  
**First wall drilling**

- Drill hole for exterior fastening of running rail on wall according to detailed drawing.



**STEP 2**  
**Remaining wall drillings**

- «Loosely» screw on the exterior end of the running rail. Using the spirit level, ensure the running rail will be horizontally straight and use it as a drilling jig to pre-drill the fastening holes with an 8 mm drill bit. Drill the holes for the screw anchors with a 10 mm drill bit.

