



TIP-ON for doors

Technical data sheet

www.blum.com

 **blum**[®]

TIP-ON for doors



Ordering and planning information

Product



Description

Handle-less furniture can be opened with a light touch thanks to the TIP-ON mechanical opening support system. The furniture can be closed again by simply pressing the front. Unsprung hinges are used for TIP-ON for doors along with magnets.

With regard to the extended ejector with pre-set positions, when assembly is complete the door gap can be adjusted easily, without tools. The new adapter plate range comprises long and short adapter plates. This enables TIP-ON to integrate discreetly and harmoniously into the cabinet interior.

For an appealing look in combination with proven Blum quality, the TIP-ON range is available in platinum grey (PLGR) and silk white (SW).

Short version



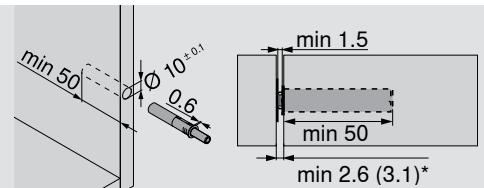
Colour variants

SW

PLGR

956.1004

- TIP-ON short version with magnet
- For overlay doors up to approx. 1300 mm height
- For drilling $\varnothing 10 \times 50$ mm
- Material: Nylon
- Output path approx. 17 mm



* min. 2.6 mm with glue-on catch plate

* min. 3.1 mm with screw-on catch plate

Long version



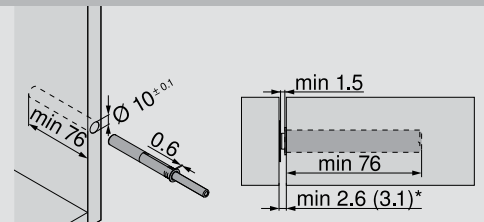
Colour variants

SW

PLGR

956A1004

- TIP-ON long version with magnet
- For overlay doors starting at approx. 1300 mm height or inset doors
- For drilling $\varnothing 10 \times 76$ mm
- Material: Nylon
- Output path approx. 38 mm



* min. 2.6 mm with glue-on catch plate

* min. 3.1 mm with screw-on catch plate

Long version with bumper



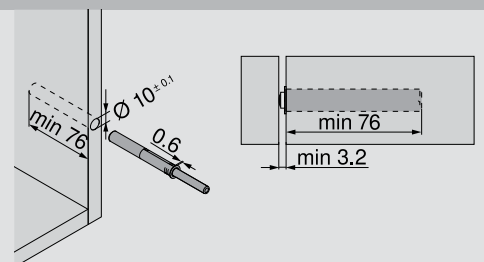
Colour variants

SW

PLGR

956A1006

- TIP-ON long version with bumper
- For hinges with springs*
- No catch plate required**
- For drilling $\varnothing 10 \times 76$ mm
- Material: Nylon
- Output path approx. 38 mm



* A trial application is recommended

** We recommend using a catch plate for fixing to very soft surfaces

TIP-ON for doors



Ordering and planning information

Horizontal adapter plate – short version 20/17



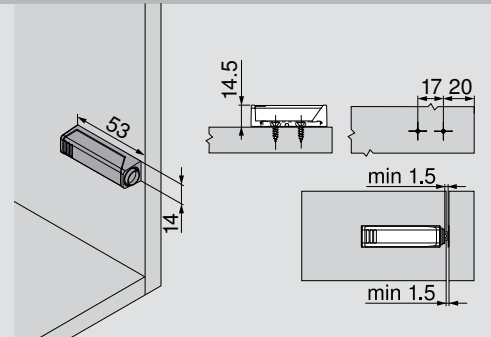
Colour variants

SW

PLGR

956.1201

- TIP-ON horizontal adapter plate
- Assembly using chipboard screws \varnothing 3.5 mm or \varnothing 4 mm or with system screws
- Material: Nylon
- TIP-ON must be ordered separately



Horizontal adapter plate – long version 20/32



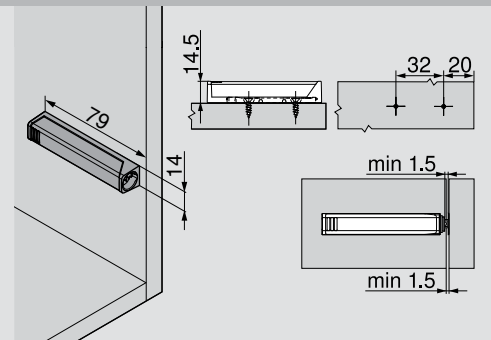
Colour variants

SW

PLGR

956A1201

- TIP-ON horizontal adapter plate
- Assembly using chipboard screws \varnothing 3.5 mm or \varnothing 4 mm, or system screws
- Material: Nylon
- TIP-ON must be ordered separately



Cruciform adapter plate – long version 37/32

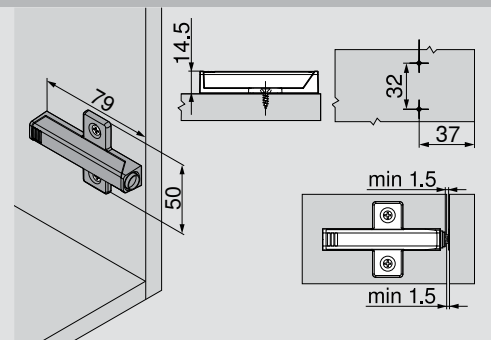


Colour variants

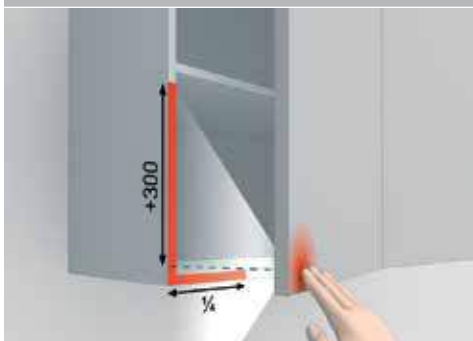
PLGR

956A1501

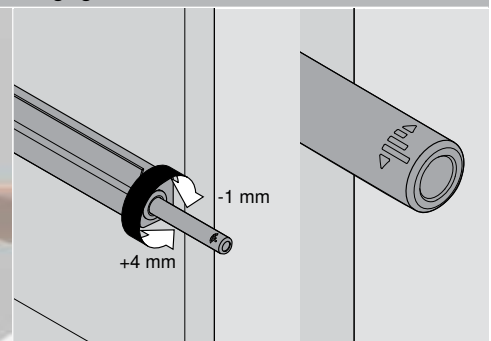
- TIP-ON cruciform adapter plate
- Assembly using chipboard screws \varnothing 3.5 mm or \varnothing 4 mm, or system screws
- Material: Nylon
- TIP-ON must be ordered separately



Position de montage



Réglage TIP-ON



Optimal opening support is ensured when the TIP-ON unit is attached in the correct handle position.

This can deviate \pm 300 mm vertically and up to a quarter of the cabinet width.



ISO 9001
Certified Quality
System



ISO 14001
Certified Environmental
System



ISO 50001
Certified Energy
System



All content is copyrighted by Blum.
Subject to technical modifications and changes to the range without notice.
Printed in Canada · IDNR: 08831293 · TD-120/1EN-CA TIP-ON F.T09.19