



Plastic divider system for vanity drawers that allows to skirt round the pipes of the sink and create a structured organization.



Grey



White



Dark Grey

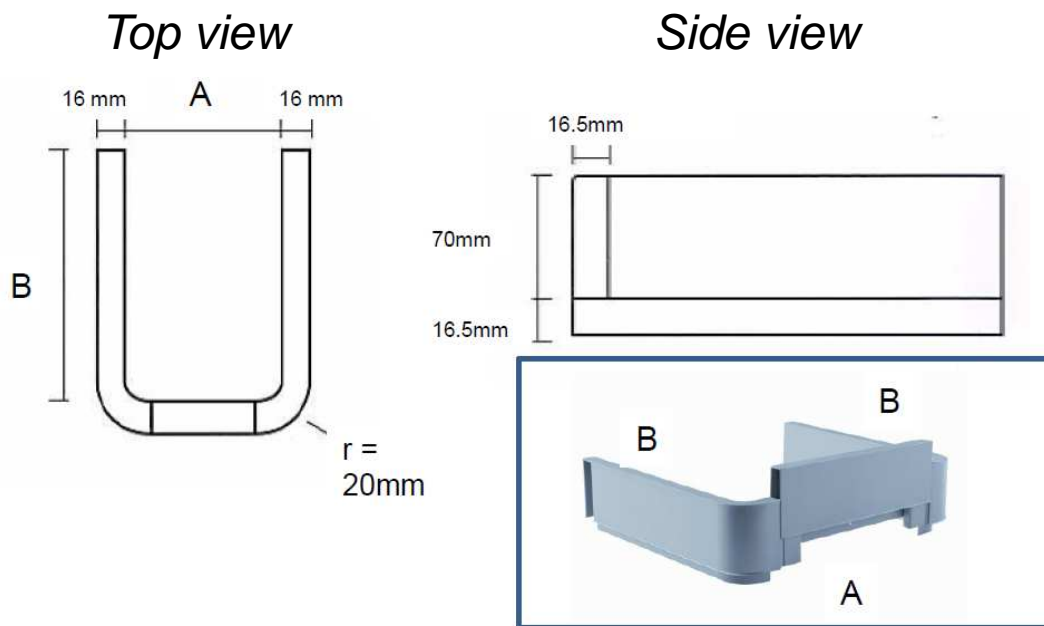


Advantages

- Its U shape skirt is designed to go around the sink pipes. It allows to create a functional drawer space.
- Available in one width of 300mm (11 13/16").
- 2 depth options: 250 or 300mm (7 7/8" or 11 13/16").
- Designed for drawers with a bottom and side thicknesses of 16mm (5/8"). So mostly used with wood or melamine drawers.
- Available in white, grey and dark grey finish.
- Profiles and divider clips, sold separately to allow to personalize your storage.
- Easy to clean.
- The drawer bottom must be cut prior to installation.

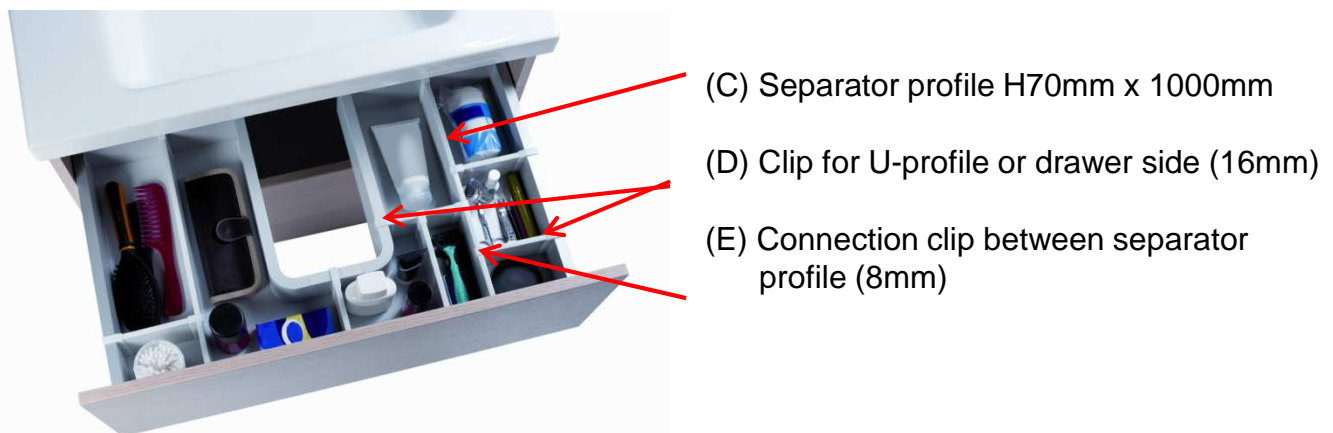
Technical information :

Step 1: chose 3 components from the below chart (1xA + 1xB Left + 1xB Right) to create the U –shaped skirt. Choose your desired depth and the color of your choice.

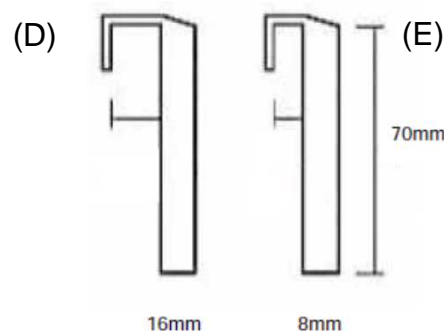


| Fig. | Description | Grey | White | Dark Grey |
|------------------------|-----------------------------|-----------|-----------|-----------|
| A = 300mm (11 6/8'') | WALL FRONTAL PLAST.300MM | 99300100 | 99300030 | 99300910 |
| B =250mm (9 7/8'') | WALL VANITY PLAS.250MM LFT. | 992503100 | 992503030 | 992503910 |
| B =250mm (9 7/8'') | WALL VANITY PLAS.250MM RGT. | 992502100 | 992502030 | 992502910 |
| B = 300mm (11 13/16'') | WALL VANITY PLAS.300MM LFT. | 99303100 | 99303030 | 99303910 |
| B = 300mm (11 13/16'') | WALL VANITY PLAS.300MM RGT. | 99302100 | 99302030 | 99302910 |

Step 2 (optional): create storage compartments by ordering the trimmable (1000mm profile) C + Assembly clips (D & E) according to your needs.



1. The separator profile comes in a 1000mm (39 3/8") length that can be cut to size according to dimensions wanted.
2. Two types of assembly clips are to be used : clips of 8mm allows to connect the separator profiles together, and clips of 16mm allows to connect the separator profile to central part (16mm U-shape skirt) and to the 16mm drawer sides.



| Fig. | Description | Grey | White | Dark Grey |
|------|----------------|----------|----------|-----------|
| C | Profile 1000mm | 99100100 | 99100030 | 99100910 |
| D | Clip 16mm | 99160100 | 99160030 | 99160910 |
| E | Clip 8mm | 99180100 | 99180030 | 99180910 |

Drawer bottom cut dimensions and assembly

Note: Drawer bottom and sides must be 16mm (5/8") thick

