

FLOOR SLIDING

CD50 - S



Nº OF DOORS
x KIT



INLAY
DOOR SYSTEM



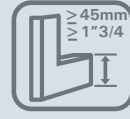
BYPASS
DOOR SYSTEM



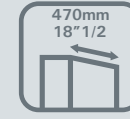
MAX DOOR
WEIGHT



DOOR
THICKNESS



MIN DOOR
FRAME HEIGHT



MINIMUM DOOR
WIDTH



DOOR
MATERIAL



GAP DOOR-GUIDE
GAP DOOR-TRACK

Available with Easy Soft GOR



Guide GO 30



Carrier CD50 - S



Ultra Premium Rollers
with Soft Slide Technology



- ▶ Silent Travel
- ▶ Rollers with a new nylon technology
- ▶ Smooth Movement
- ▶ Fabricated with versatile materials
- ▶ High Quality
- ▶ Rollers tested beyond 100,000 cycles



Track CXD 30 Double

DESCRIPTION

- Floor sliding system for wood or aluminum doors up to 50 kg (110 lbs).
- Surface mount carrier installation only.
- The Concealed Roller Guide, in combination with the Double Guide Track, provides for dynamic door adjustment at the top.

APPLICATIONS

- Ideal for closet applications where a top sliding solution is challenging.
- Ideal for uneven openings.

FEATURES

- The spring activated carrier provides a dynamic adjustment to the floor.
- The CD50 - S carrier is surface mounted for easy and fast installation on the door.
- The optional Easy Soft GOR closing mechanism help keep doors from bumping and ensures the doors are always closed, it also works as a safety feature that helps avoid pinching of the fingers as the doors are closing.
- Ball bearing high quality rollers for a silent and smooth glide.



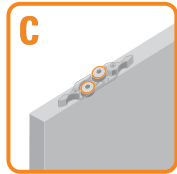
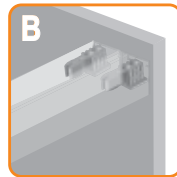
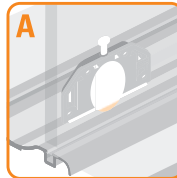
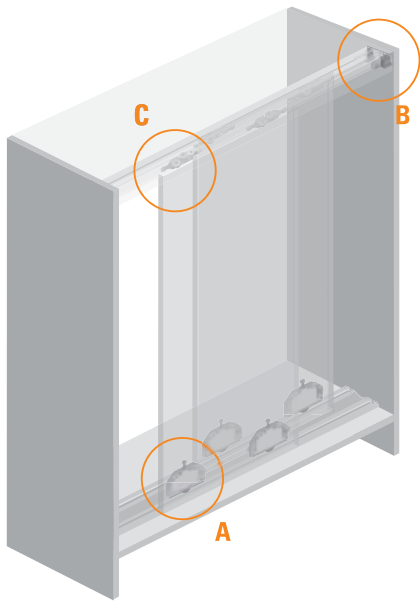
SALINITY TEST



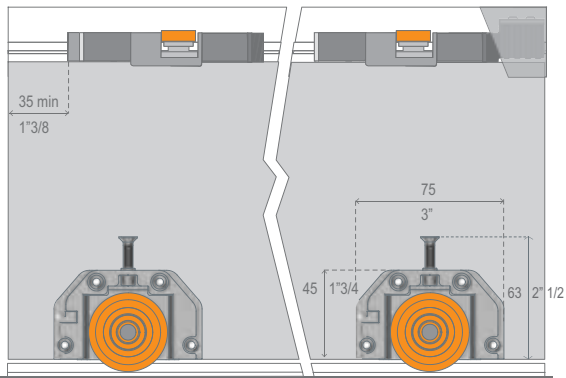
ANSI-BHMA *



ROLLER

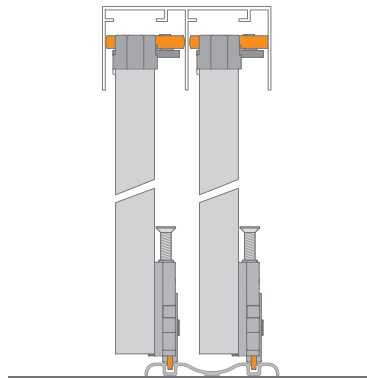


Frontal View

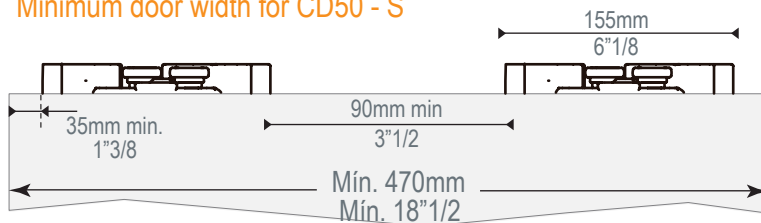


Lateral View

Doors 15-25mm (5/8"-1")
Track CXD30 & GO30



Minimum door width for CD50 - S



GUIDE TRACK



DOOR THICKNESS
15-25mm - 5/8"-1"

GUIDE GO30 AL, DOUBLE

PART NUMBER	DESCRIPTION
• 10100607620	Guide GO30 Double AL 2m (6.5 ft)
• 10100607630	Guide GO30 Double AL 3m (9.85 ft)
• 101006076-12	Guide GO30 Double AL 12 ft

MASTER PACK: 4 units

CARRIER TRACK



DOOR THICKNESS
15-25mm - 5/8"-1"


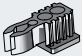


SURFACE MOUNT TRACK CXD30

PART NUMBER	DESCRIPTION
• 021CXD301	Track CXD 30 AL Double 2m (6.5 ft)
• 021CXD302	Track CXD 30 AL Double 3m (9.85 ft)
• 021CXD30-12	Track CXD 30 AL Double 12 ft

MASTER PACK: 10 units

CARRIER KIT CD50 - S,
for 1 door

PART NUMBER: 01CD50S1

- A** 2 Carriers CD50-S 
- B** 2 Stoppers 
- C** 2 Guides GOR 
- D** Screws 

MASTER PACK: 10 units

ALL DIMENSIONS ARE IN MM., CM., KG. USA DIMENSIONS ARE APPROXIMATE

(*) Product tested using ANSI-BHMA protocol. For more information see the glossary of terms

sales@ducasseusa.com | www.ducasseusa.com