



Nº OF DOORS  
x KIT



INLAY  
DOOR SYSTEM



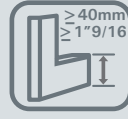
BYPASS  
DOOR SYSTEM



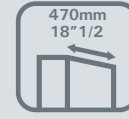
MAX DOOR  
WEIGHT



DOOR  
THICKNESS



MIN DOOR  
FRAME HEIGHT



MINIMUM DOOR  
WIDTH



DOOR  
MATERIAL



GAP DOOR-GUIDE  
GAP DOOR-TRACK

Available with Easy Soft GOR

Guide GO 22 or Guide GO 30



Carrier CD50 - E



Track CXD or CXD 30 Double



**Ultra Premium Rollers**  
with Soft Slide Technology



- **Silent Travel**
- Rollers with a new nylon technology
- **Smooth Movement**
- Fabricated with versatile materials
- **High Quality**
- Rollers tested beyond 100,000 cycles

**DESCRIPTION**

- Floor sliding system for wood or aluminum doors up to 50 kg (110 lbs).
- Flush mount carrier installation only.
- The Concealed Roller Guide, in combination with the Double Guide Track, provides for dynamic door adjustment at the top.

**APPLICATIONS**

- Ideal for closet applications where a top sliding solution is challenging.
- Ideal for uneven openings.

**FEATURES**

- The spring activated carrier provides a dynamic adjustment to the floor.
- The CD50 - E carrier has a central adjusting dial that allows for easy height regulation.
- The optional Easy Soft GOR closing mechanism help keep doors from bumping and ensures the doors are always closed, it also works as a safety feature that helps avoid pinching of the fingers as the doors are closing.
- Ball bearing high quality rollers for a silent and smooth glide.



100 HRS  
SALINITY  
TEST

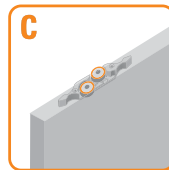
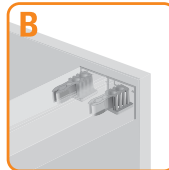
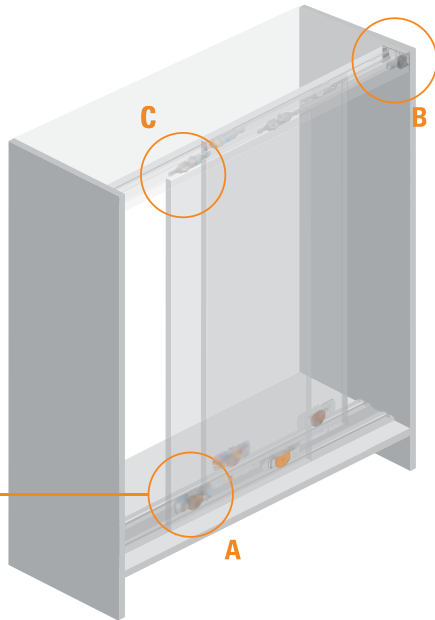
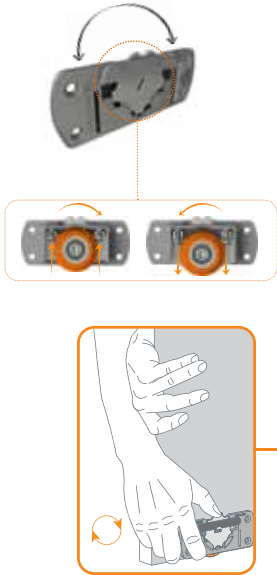


GRADE 1  
ANSI-BHMA \*



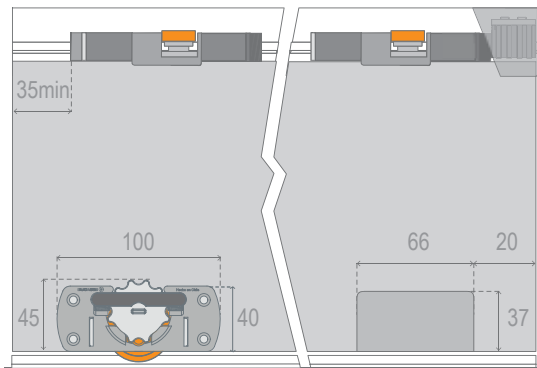
SOFT SLIDE -  
ULTRA SILENT  
ROLLER

CD50 - E Height Regulation

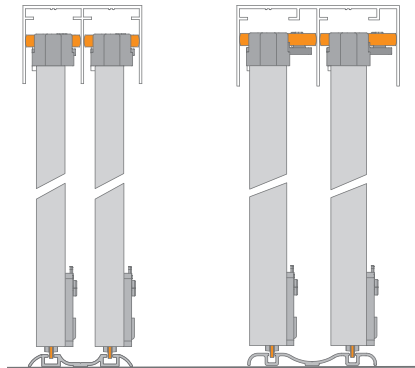


Frontal View

Lateral View



Doors 18-22mm (3/4"-7/8") Track CXD & GO22  
Doors 22-30mm (7/8"-1"3/16) Track CXD30 & GO30



Minimum door width for CD50 - E



GUIDE TRACK



DOOR THICKNESS  
18-22mm - 3/4"-15/16"

GUIDE GO22 AL, DOUBLE

PART NUMBER	DESCRIPTION
• 10100607520	Guide GO22 Double AL 2m (6.5 ft)
• 10100607530	Guide GO22 Double AL 3m (9.85 ft)
• 101006075-12	Guide GO22 Double AL 12 ft

MASTER PACK: 10 unit

CARRIER TRACK



DOOR THICKNESS  
18-22mm - 3/4"-15/16"

SURFACE MOUNT TRACK CXD

PART NUMBER	DESCRIPTION
• 021CXD1	Track CXD Double AL 2m (6.5 ft)
• 021CXD2	Track CXD Double AL 3m (9.85 ft)
• 021CXD-12	Track CXD Double AL 12 ft

MASTER PACK: 10 units



DOOR THICKNESS  
18-30mm - 3/4"-1"1/4

GUIDE GO30 AL, DOUBLE

PART NUMBER	DESCRIPTION
• 10100607620	Guide GO30 Double AL 2m (6.5 ft)
• 10100607630	Guide GO30 Double AL 3m (9.85 ft)
• 101006076-12	Guide GO30 Double AL 12 ft

MASTER PACK: 4 units



DOOR THICKNESS  
18-30mm - 3/4"-1"1/4


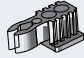


SURFACE MOUNT TRACK CXD 30

PART NUMBER	DESCRIPTION
• 021CXD301	Track CXD 30 AL Double 2m (6.5 ft)
• 021CXD302	Track CXD 30 AL Double 3m (9.85 ft)
• 021CXD30-12	Track CXD 30 AL Double 12 ft

MASTER PACK: 10 units

CARRIER KIT CD50 - E,  
for 1 door

PART NUMBER: 01CD50E1

- A** 2 Carriers CD50-E 
- B** 2 Stoppers 
- C** 2 Guides GOR 
- D** Screws 

MASTER PACK: 10 units

ALL DIMENSIONS ARE IN MM., CM., KG. USA DIMENSIONS ARE APPROXIMATE

(\*) Product tested using ANSI-BHMA protocol. For more information see the glossary of terms