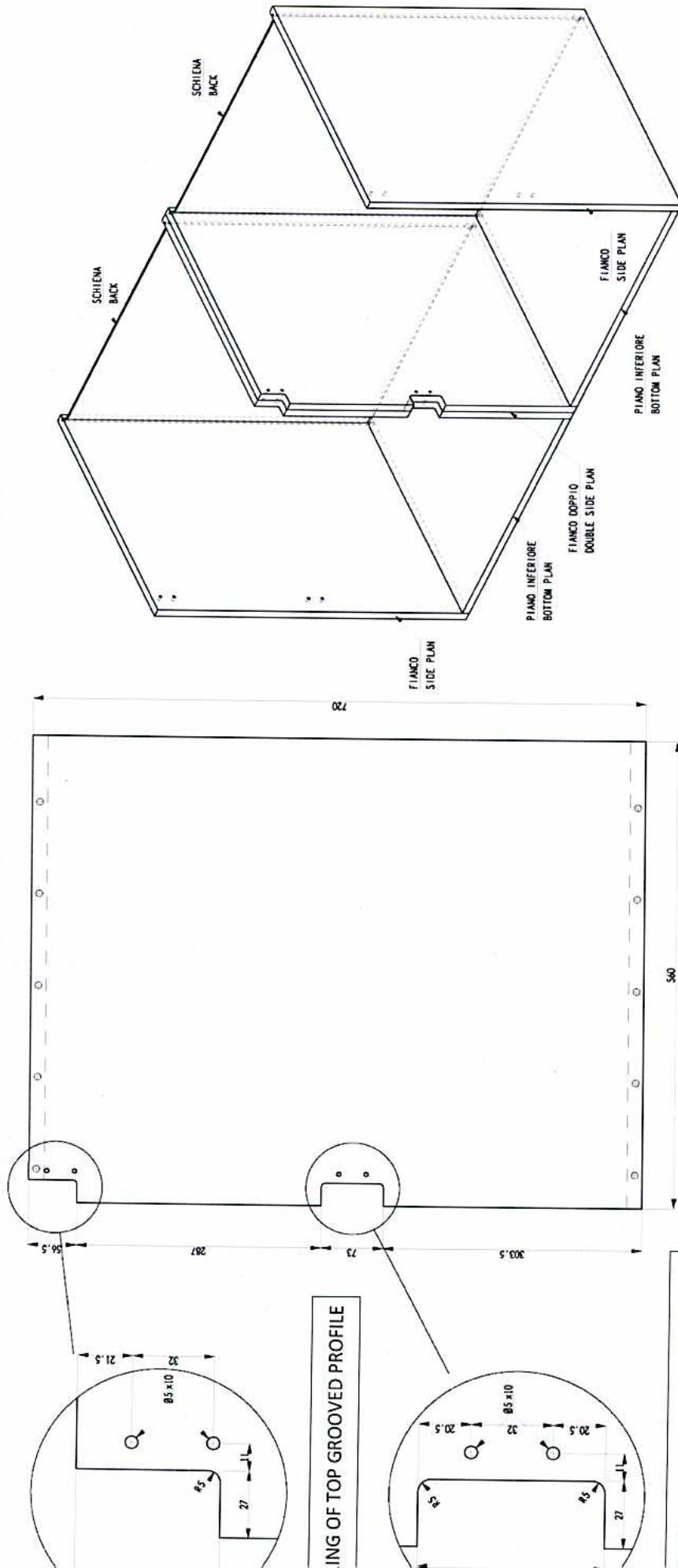


FITTING INSTRUCTIONS

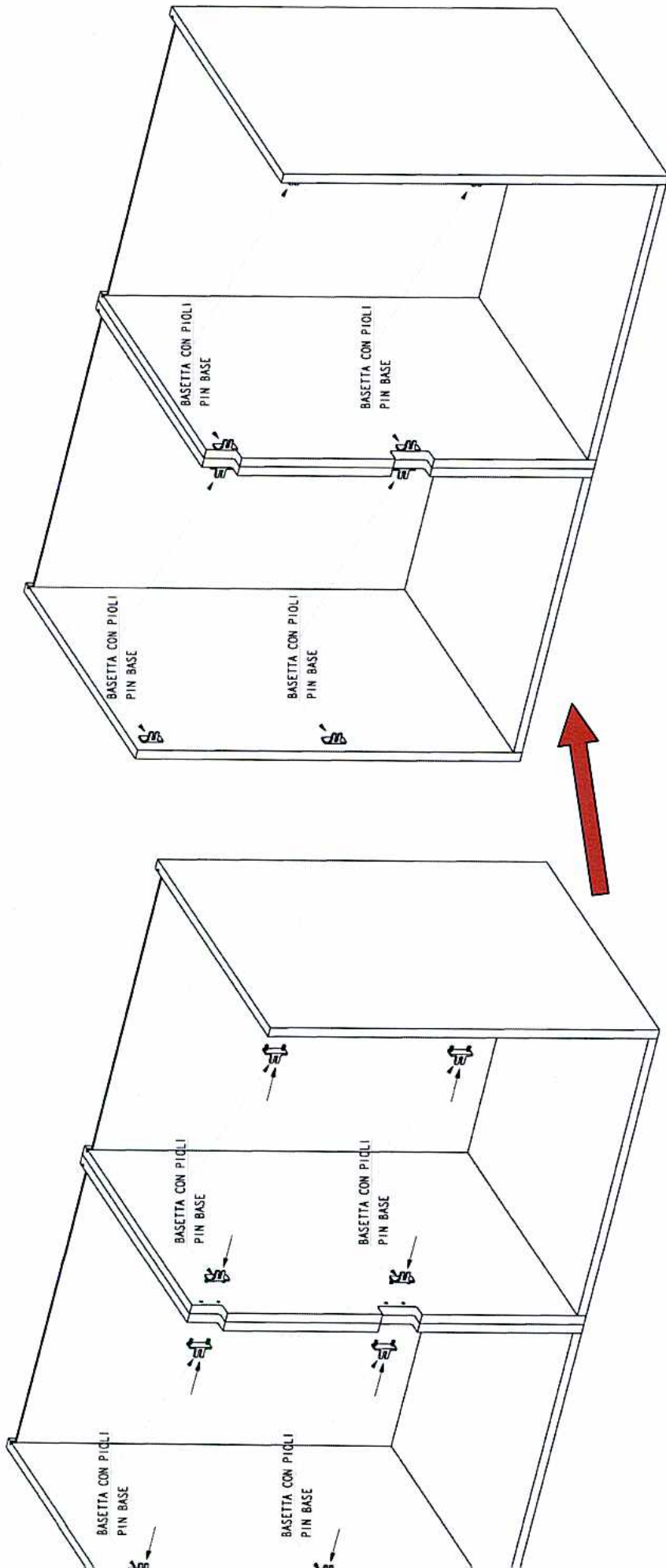
HORIZONTAL GOLA "L" SHAPE ART.1005 (to be fitted under the working-top) AND "C" SHAPE ART.1004 (to be fitted between drawers)



VIEW OF TOP GROOVED PROFILE

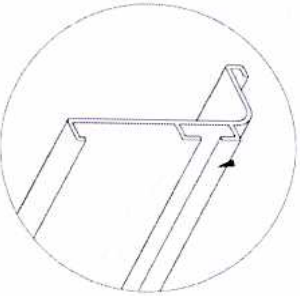
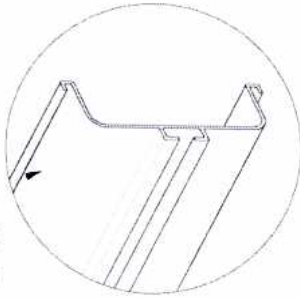
VIEW OF INTERMEDIATE GROOVED PROFILE

SIGHT OF SIDE DRILLINGS TO ASSEMBLE GROOVED PROFILES



VIEW INSTALLATION PIN BASE

PROFILO SOTTO TOP A "C"
"C" UNDER TOP PROFILE



PROFILO SOTTO TOP A "L"
"L" UNDER TOP PROFILE

CLIP GUIDA
CLIP

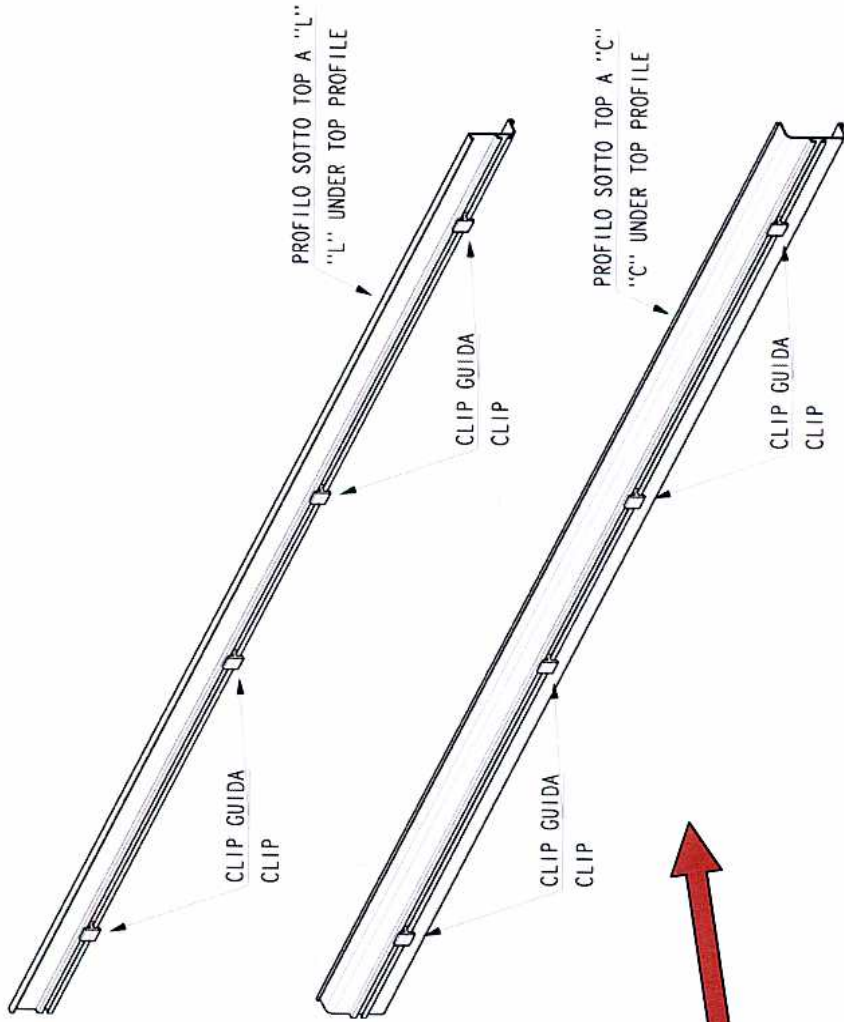
CLIP GUIDA
CLIP

PROFILO SOTTO TOP A "L"
"L" UNDER TOP PROFILE

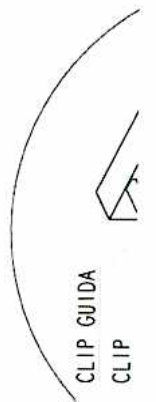
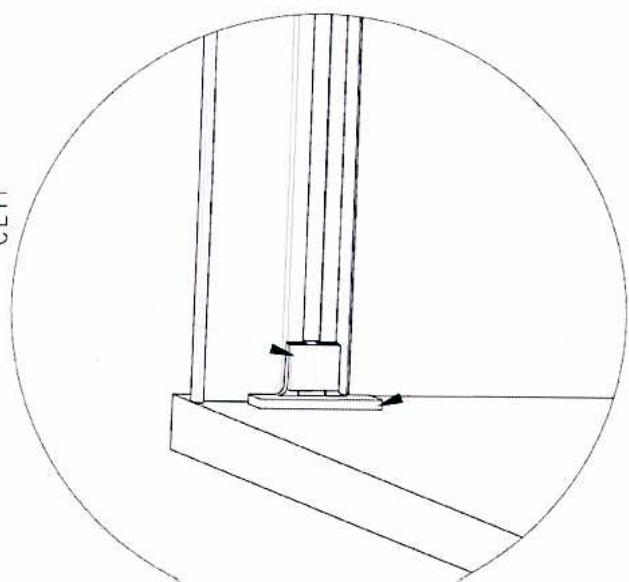
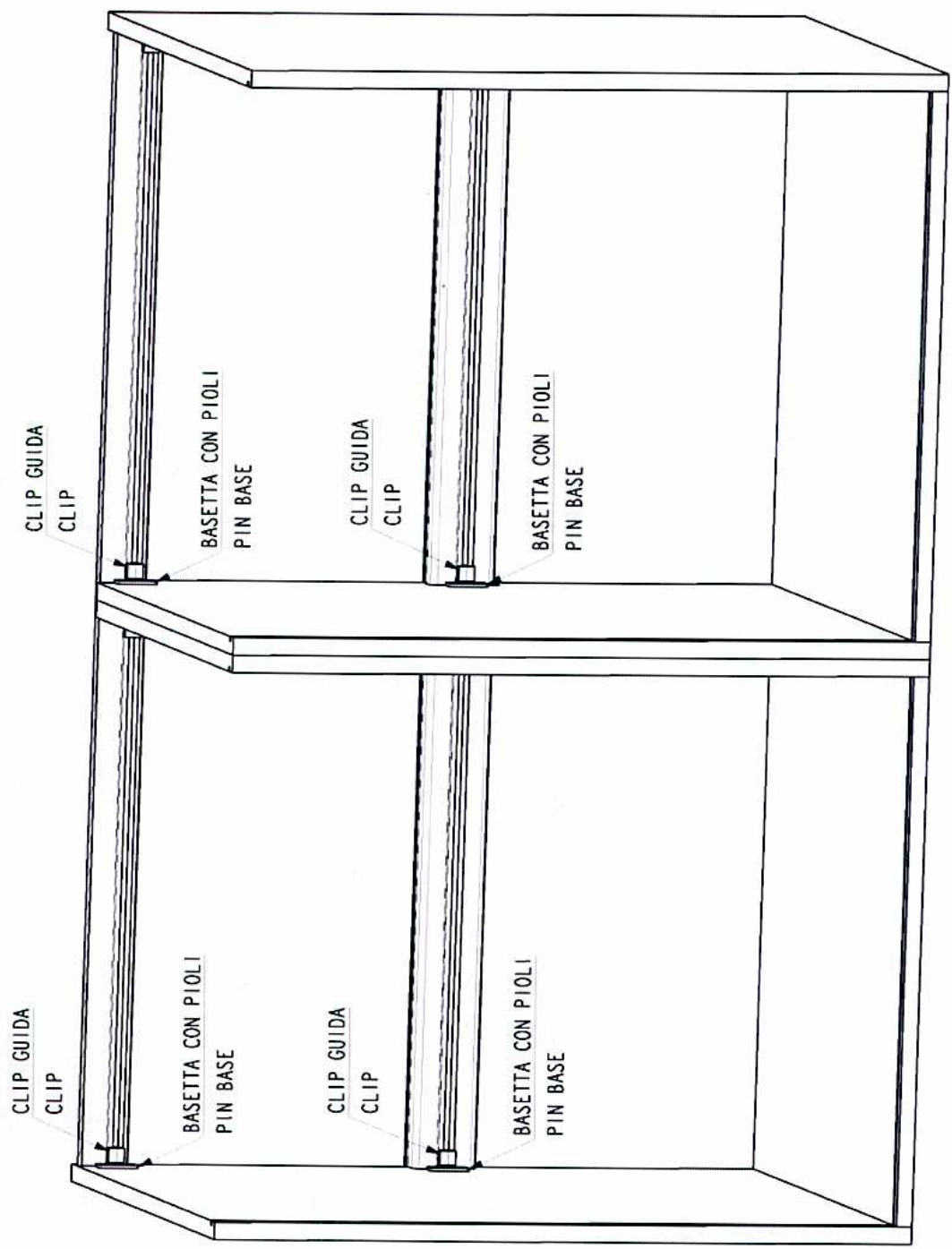
CLIP GUIDA
CLIP

PROFILO SOTTO TOP A "C"
"C" UNDER TOP PROFILE

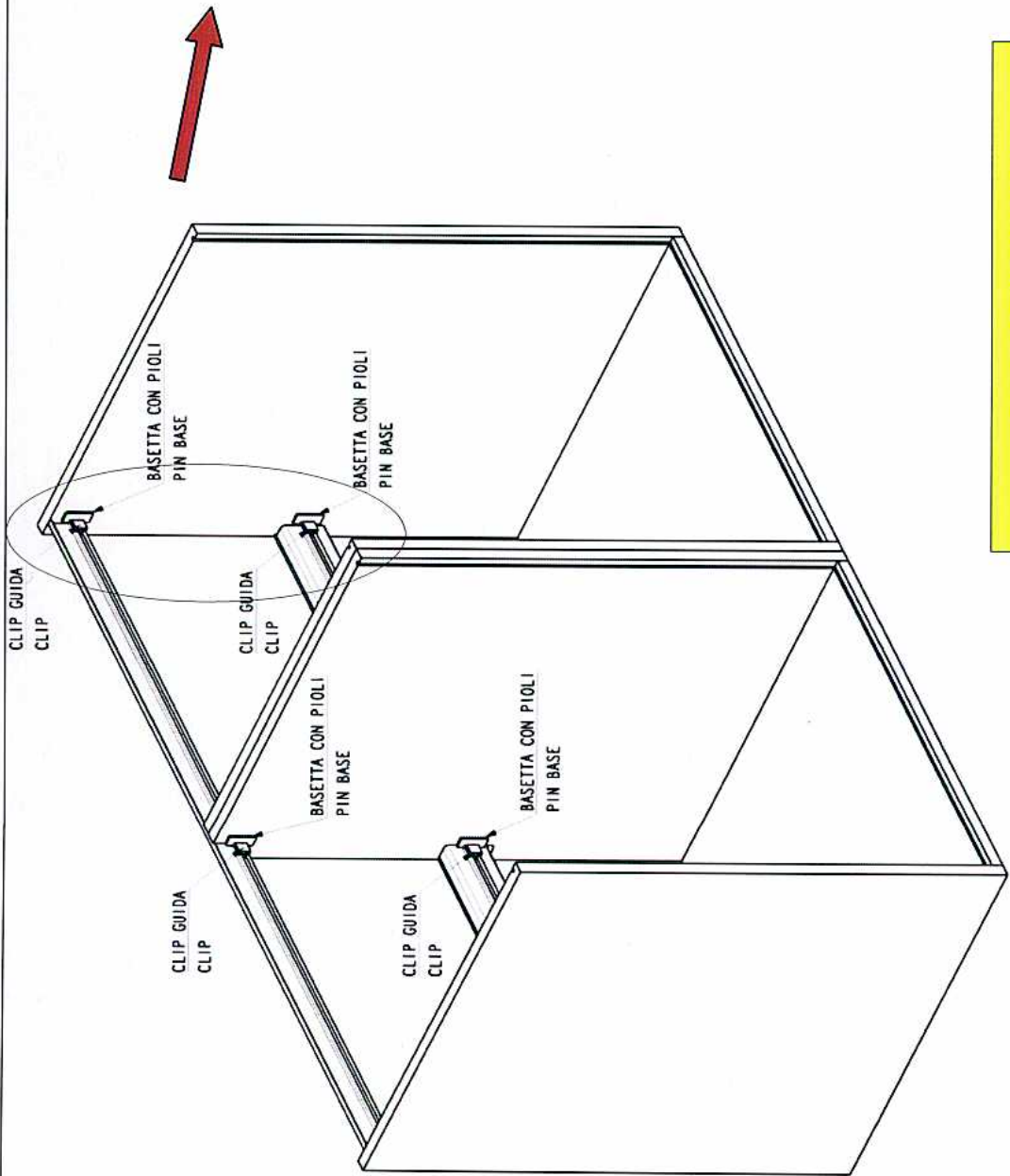
CLIP GUIDA
CLIP



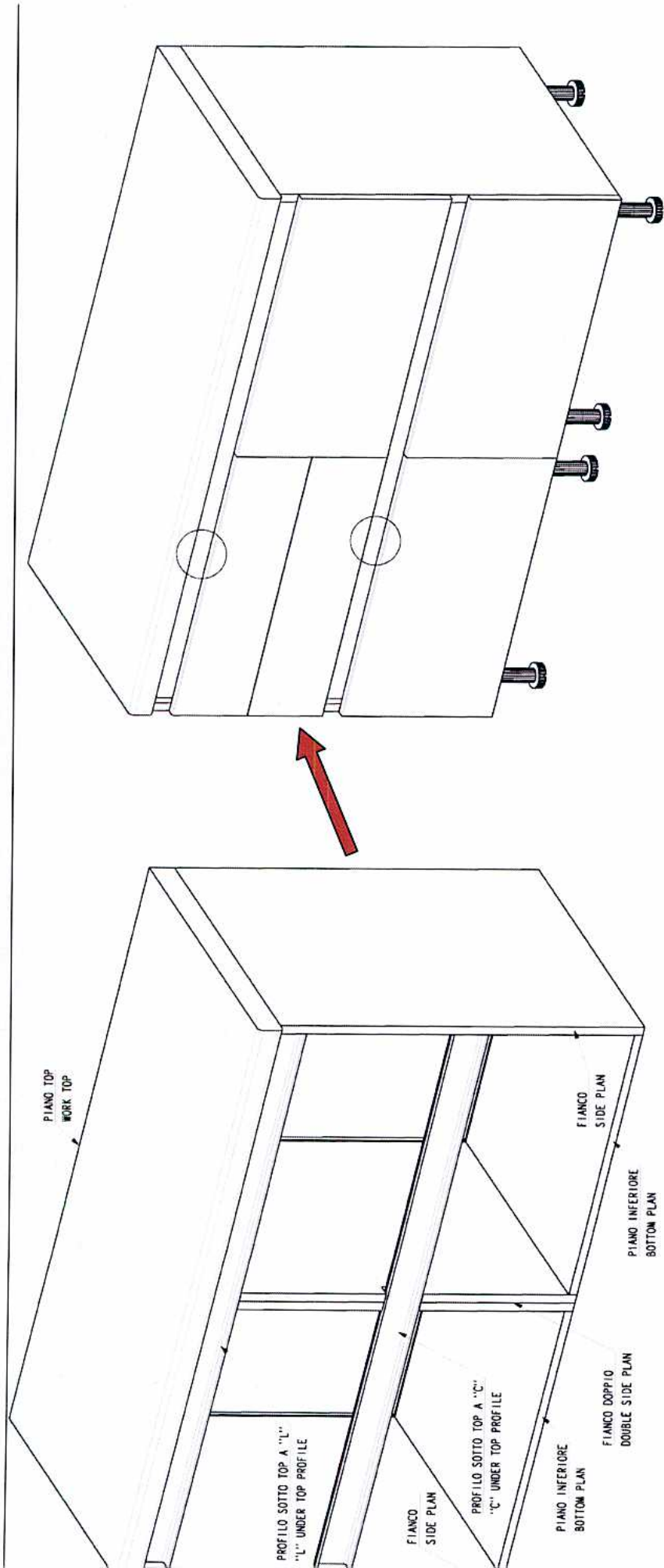
INSERT "CLIPS"



CLAMP "CLIPS"



CLAMP "CLIPS"



ASSEMBLY