



AMBIA-LINE and ORGA-LINE

Organization at its best



AMBIA-LINE

Beautifully organized interiors – throughout your home

- 4 Online configuration
- 6 Tips for practical kitchens
- 8 Five zones

AMBIA-LINE

- 10 Elegant design and easy handling
- 12 Ideas for your kitchen
- 22 Ideas for your bedroom and living space
- 26 Product range
- 28 Ordering information
- 32 Kitchen accessories

ORGA-LINE

- 36 Sets
- 38 Ordering information
- 45 Kitchen accessories



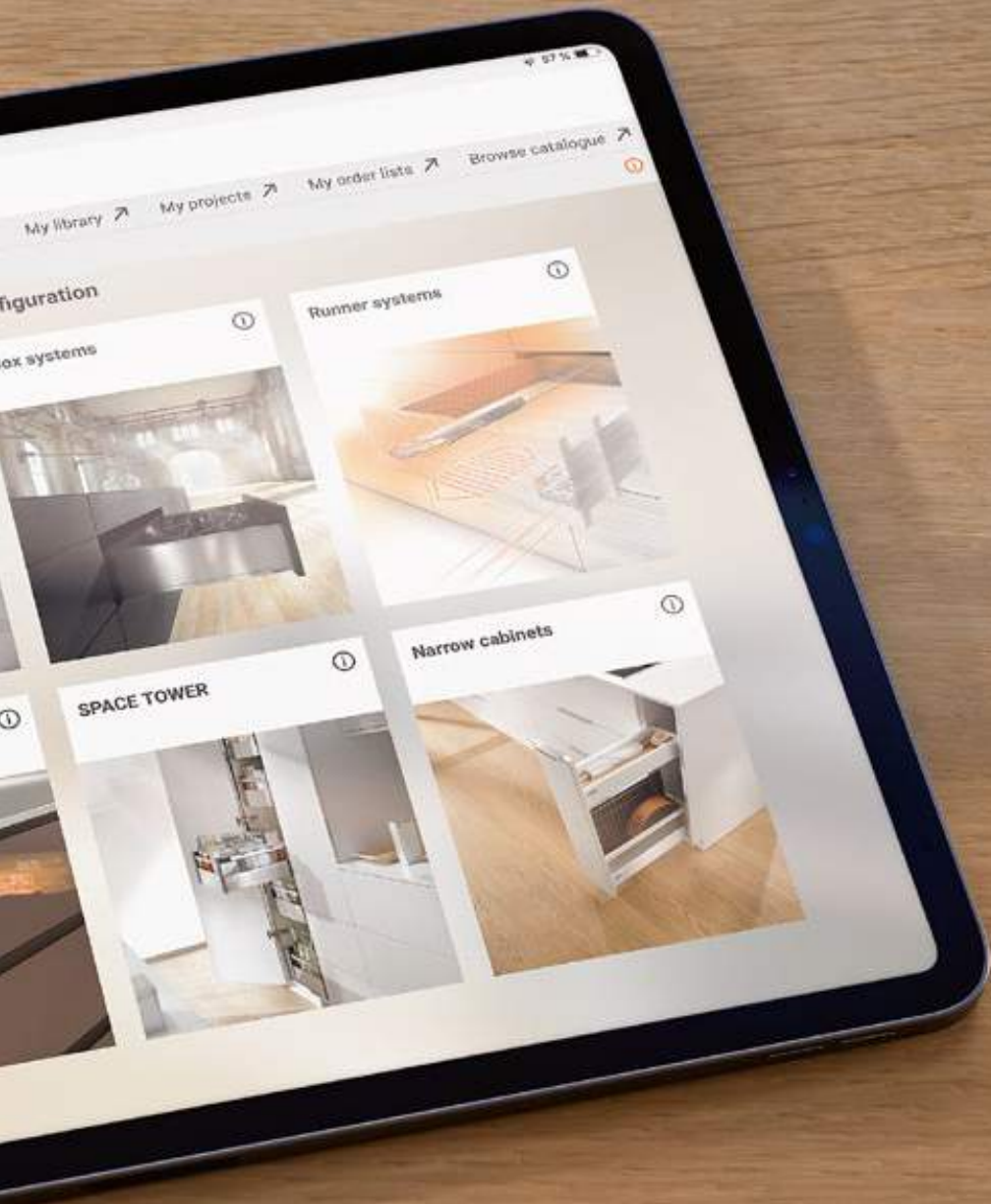
Online configuration – quick and easy

Our online services will help you keep an overview of AMBIA-LINE, ORGA-LINE and matching kitchen accessories.

Use a web browser of your choice and access AMBIA-LINE and ORGA-LINE online 24/7 for quick and easy personalized configuration options.

Your advantages at a glance:

- Intuitive interface – quick and easy
- Online availability 24/7
- Product solutions and assembly information that are always up to date
- Correct, error-free results – tested by Blum



Find out more about the Product
Configurator at:
www.blum.com/productconfigurator



Discover exciting ideas for a better quality of living throughout your home.

www.blum-inspirations.com



Ideas by Blum: Practical solutions for your home

Kitchens that are fit for everyday use are not only beautiful but also practical.

They have the following features:

- Efficient workflow (ergonomics)
- Optimum space utilization (storage space)
- Enhanced convenience (motion)
- Freedom for your ideas (design)

Blum helps to enhance your home with innovative fittings, clever cabinet solutions and useful kitchen planning expertise.



Ergonomics

Everything is easy to access and clearly organized.



Storage space

Make full use of the storage space available.



Quality of motion

It's easy to open and close furniture.



Design

Turn your creative ideas into reality.

The two sides of a kitchen

A kitchen has to work for everyday use. That's why it should not only look good, but be practical too. Blum has been investigating the needs and requirements of kitchen users for years. Thanks to this research, we are continuously coming up with new ideas to make modern kitchens even more practical. We would like to share our findings with you.

Five zones for optimal workflows

Meal preparation and clean-up are normally recurring activities or “workflows”. It's important to ensure that distances are as short as possible and everything is just where it should be. That's why it's a good idea to divide kitchens into five zones to save time and energy.



Consumables

Food is kept in the “consumables” zone. When planning this zone it's important to ensure that everything is within easy reach.



Non-consumables

The “non-consumables” zone is designed for cutlery, dinnerware and glasses. That's why it's a good idea to have the dishwasher close by.



Cleaning

This zone features dishwasher, sink, waste and recycling areas. Cleaning utensils and cleaning supplies should be kept here so that everything is close at hand.



Preparation

All the utensils needed for preparing food are kept in this zone between "cooking" and "cleaning". Pull-outs ensure that they are within easy reach and can be quickly placed on worktops.

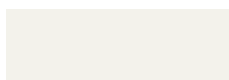


Cooking

There should be enough space for pots and pans and cooking items right next to the cooktop.

Classic steel design

The powder-coated steel frames are available in three different colours so interiors merge with drawers to create a harmonious entity.



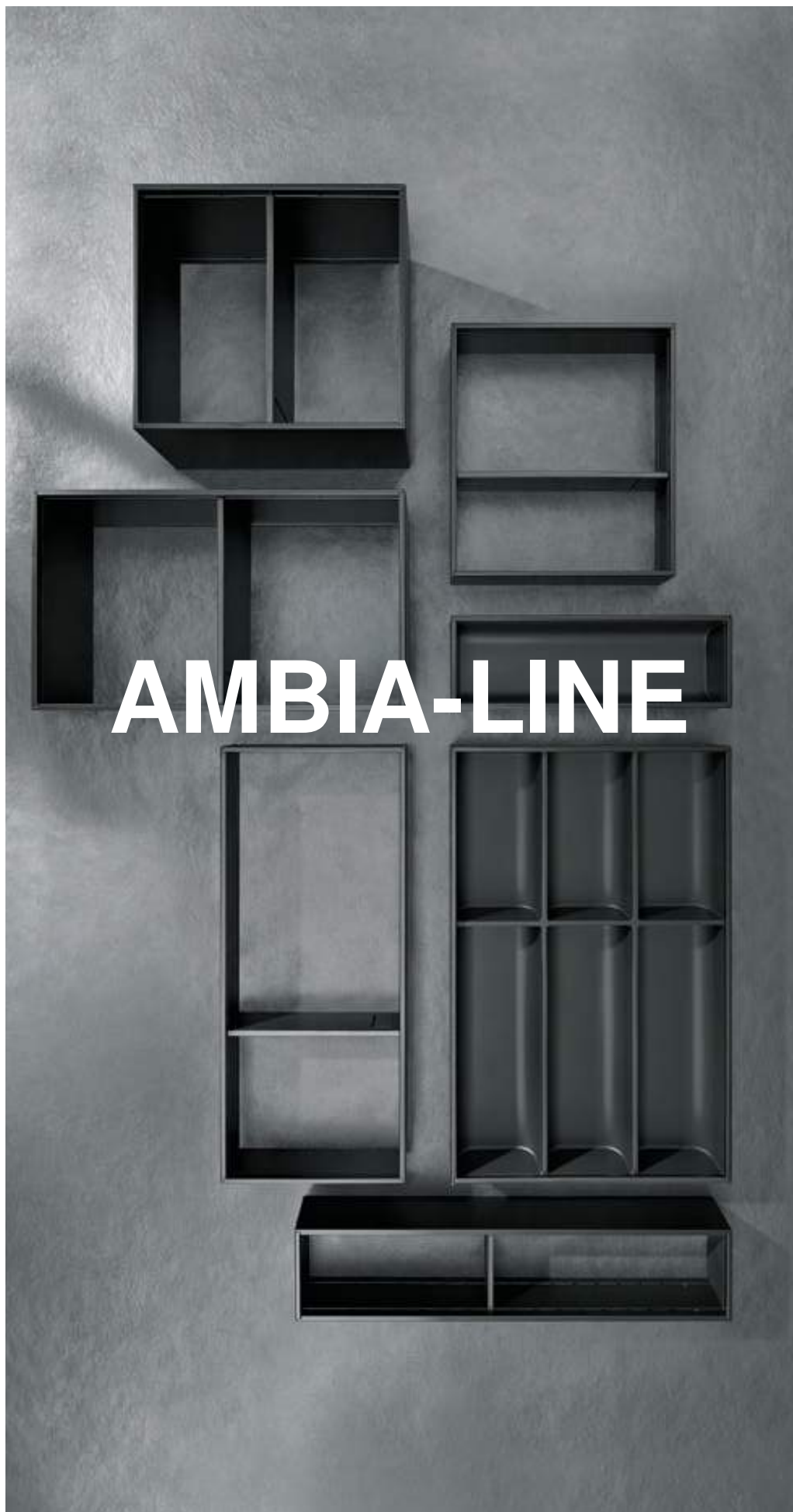
Silk white matt



Orion grey matt



Carbon black matt



Practical in function – versatile in application

AMBIA-LINE gives you the freedom to tailor interiors to your requirements and to every type of storage item. The frames have been designed for immediate use. They fit into every drawer and are suitable for all living areas.



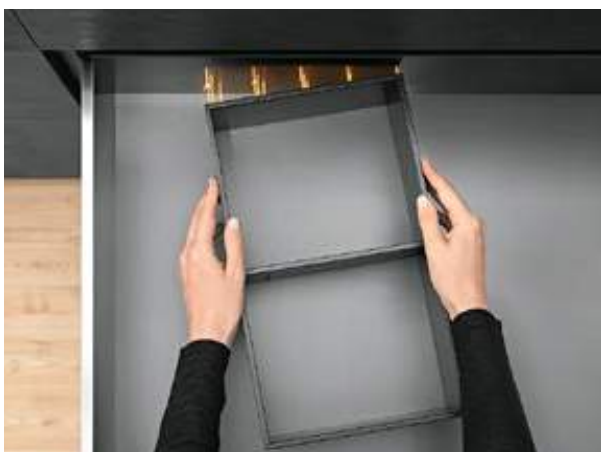
Elegant design

The minimalist design of AMBIA-LINE goes perfectly with the clean lines of LEGRABOX and MERIVOBX.



Adjustability

The flexible cross dividers can be easily adjusted to fit the size of the items being stored.



Versatility

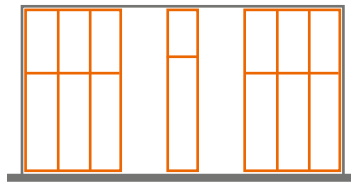
With the magnetic adapter plate, the frames can be positioned anywhere in the drawer; items can be clearly organized in all living areas.

A woman with long, wavy brown hair, wearing a white long-sleeved shirt, is standing in a kitchen. She is looking down at a wooden countertop where she is preparing food. On the counter, there is a large wooden cutting board with several red tomatoes, some of which are sliced. Next to the board is a white ceramic bowl filled with green herbs. A grey metal baking tray is also on the counter. In the background, there is a window with a view of a balcony with a potted plant and a white umbrella. The kitchen has a modern, minimalist design with grey cabinetry. The drawers are open, revealing a grey metal cutlery tray with various compartments for knives, forks, and spoons. The overall atmosphere is bright and clean.

AMBIA-LINE:
Ideas for
your kitchen.







AMBIA-LINE for cutlery

- Cutlery hardly makes a sound when it's placed in soft touch cutlery inserts.
- Cutlery inserts and frames can be combined as required.



reddot award 2014
winner



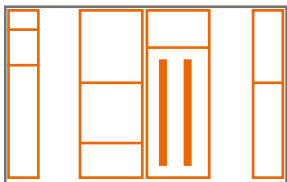
German
Design Award
SPECIAL
MENTION 2015



Detailed information on awards

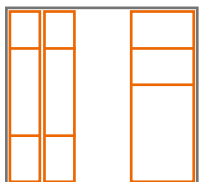
**AMBIA-LINE for kitchen utensils
and for film/foil dispenser**

- Everything runs like clockwork because you have clear visibility of whisks, vegetable peelers and ladles.
- The AMBIA-LINE film/foil dispenser ensures effortless dispensing and a perfect tangle-free cut.



AMBIA-LINE for odds and ends

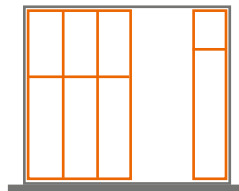
- Odds and ends are kept nice and tidy and are immediately at hand.
- Seldom used items are exactly where they should be and ready for use.





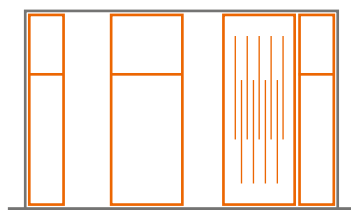
AMBIA-LINE for cutlery

- The cutlery insert beautifully organizes cutlery.
- The high quality material can easily be cleaned with a damp cloth.



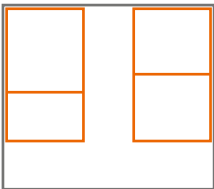
AMBIA-LINE knife holder

- The knife holder ensures tidy and secure storage of up to nine knives.
- High-quality nylon and anti-fingerprint stainless steel keep the cutting edges protected without dulling the blades.



AMBIA-LINE for food items

- The SPACE TOWER pantry unit keeps jars and tins of all sizes nice and tidy.
- The non-slip AMBIA-LINE frames also securely hold open packs of flour, sugar or rice.



AMBIA-LINE for plastic containers

- Instead of chaos, it is order and organization that reign in the drawer.
- No more time wasted trying to match the right lid with the right container!





AMBIA-LINE for cleaning supplies

- The sink pull-out makes full use of the storage space under the sink which is often wasted. Supplies can be clearly organized.
- Detergents, sponges and brushes are kept exactly where they are needed.



AMBIA-LINE for waste separation

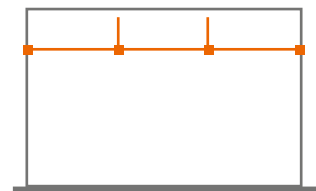
- Cleaning products are kept secure and separate from waste separation containers.
- The cross divider can be adjusted to suit different bottle sizes.





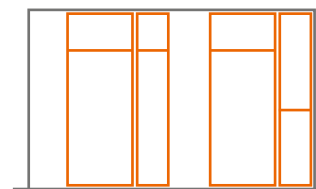
AMBIA-LINE for pots and lids

- The best place to store cookware is in the pull-out directly under the cooktop.
- The cross gallery keeps lids upright and within easy reach.



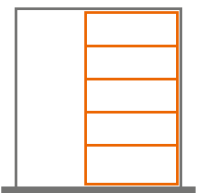
AMBIA-LINE for cooking utensils

- Wooden spoons, spatulas and whisks are always at your fingertips.
- The cross dividers can be adjusted to the length of the utensils.



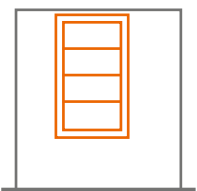
AMBIA-LINE for bottles and chopping boards

- Bottles are held securely and are immediately at hand.
- Wider pull-outs provide extra space, e.g. for chopping boards.



AMBIA-LINE spice holder

- The spice holder securely holds containers of all shapes and sizes.
- They are held at an angle so you can easily read the labels.



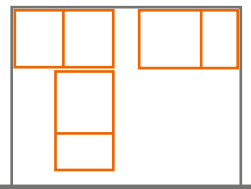


blumi

Ideas for your bedroom and living space

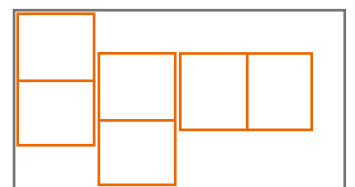
AMBIA-LINE for toys

- Tidying up is child's play.
- The frames are designed for easy cleaning so no worries if the Cookie Monster leaves behind crumbs.



AMBIA-LINE for teenager outfits

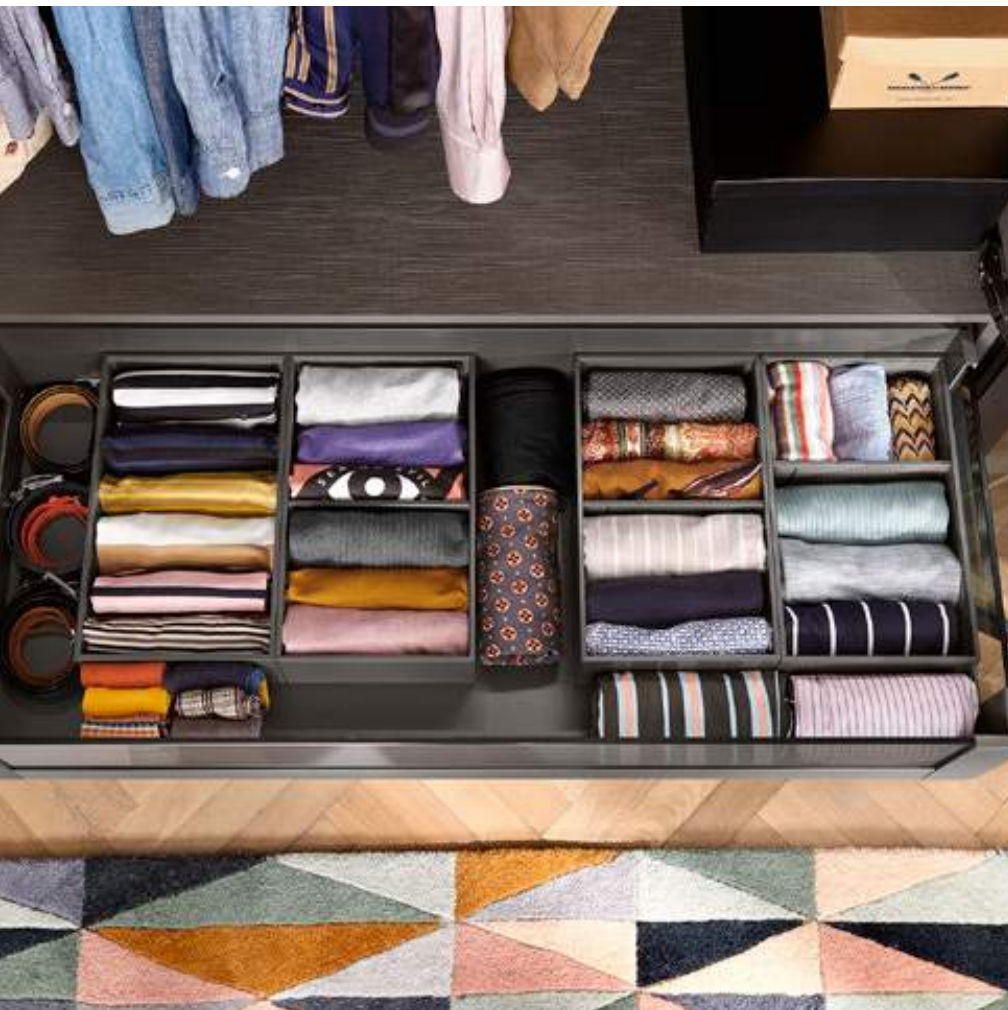
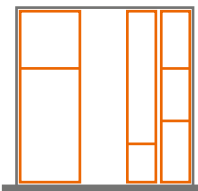
- Things can quickly be put away if you know where everything belongs.
- The clear view means that no matter what piece of clothing you are searching for, it can be found quickly.





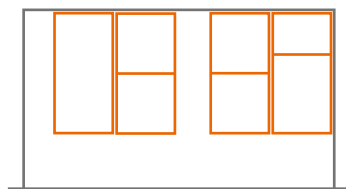
AMBIA-LINE for work essentials

- Beautifully organized interiors make it easier to focus on work.
- Comfort food in the form of chocolate is always at hand.



AMBIA-LINE for clothing

- These frames keep everything nice and tidy – be it T-shirts, belts or socks.
- Combine your perfect outfit in no time thanks to beautifully organized interiors.

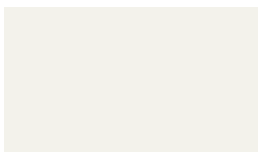




AMBIA-LINE

Overview of product range

Steel design



Silk white matt



Orion grey matt



Carbon black matt

Colour

SW-M	Silk white matt
OG-M	Orion grey matt
CS-M	Carbon black matt

Configure your AMBIA-LINE

Use the online Product Configurator to design your AMBIA-LINE application.



More about the Product Configurator:
www.blum.com/productconfigurator

Sizes



Narrow frame
Width 100 mm
Lengths 422 / 472 / 522 mm
Height 50 mm



Wide frame
Width 200 mm
Lengths 422 / 472 / 522 mm
Height 50 mm



Cutlery insert
Width 300 mm
Lengths 422 / 472 / 522 mm
Height 50 mm



Filler tray
Width 100 mm
Lengths 300 mm
Height 50 mm



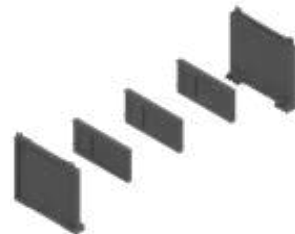
High frame (long)
Width 218 mm
Length 370 mm
Height 110 mm



High frame (short)
Width 242 mm
Length 270 mm
Height 110 mm



Cross gallery and lateral divider
For cutting to size to fit the right width

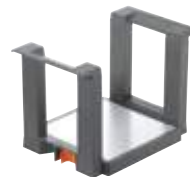


Bottle set
Width 100 mm or 200 mm
For tool-free attachment to narrow or wide frames

Kitchen accessories



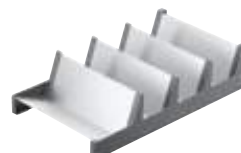
Knife holder
Width 187 mm
Length 409 mm
For wide frames



Blum plate holder
For plates with \varnothing 186-322 mm
Height 170 mm



Film/foil dispenser
Width 187 mm
Length 409 mm
For wide frames



Spice holder
Width 205 mm
Length 356 mm
For high frames (long)

Drawers – Cutlery

Cabinet widths 16–22" | 406–559 mm


NL	
18" 450 mm	ZC7S450BS3
20" 500 mm	ZC7S500BS3
22" 550 mm	ZC7S450BS3 + ZC7S100AS3
24" 600 mm	ZC7S500BS3 + ZC7S100AS3
26" 650 mm	ZC7S450BS3 + 2x ZC7S100AS3

Cabinet widths 22–36" | 559–914 mm


NL	
18" 450 mm	ZC7S450BS3 + ZC7S450RS1
20" 500 mm	ZC7S500BS3 + ZC7S500RS1
22" 550 mm	ZC7S450BS3 + ZC7S100AS3 + ZC7S550RS1

Cabinet widths 36–42" | 914–1067 mm


NL	
18" 450 mm	ZC7S450RS1 + 2x ZC7S450BS3
20" 500 mm	ZC7S500RS1 + 2x ZC7S500BS3
22" 550 mm	ZC7S550RS1 + 2x ZC7S450BS3 + 2x ZC7S100AS3

Drawers – Odds & Ends

Cabinet widths 12–16" | 305–406 mm


NL	
18" 450 mm	ZC7S450RS2
20" 500 mm	ZC7S500RS2
22" 550 mm	ZC7S550RS2

Cabinet widths 16–32" | 406–813 mm


NL	
18" 450 mm	ZC7S450RS1 + ZC7S450RS2
20" 500 mm	ZC7S500RS1 + ZC7S500RS2
22" 550 mm	ZC7S550RS1 + ZC7S550RS2

For cabinet widths 24–32", add an extra RS1


Cabinet widths 32–42" | 813–1067 mm


NL	
18" 450 mm	2x ZC7S450RS1 + 2x ZC7S450RS2
20" 500 mm	2x ZC7S500RS1 + 2x ZC7S500RS2
22" 550 mm	2x ZC7S550RS1 + 2x ZC7S550RS2

Pull-outs

Cabinet widths 12–24" | 305–610 mm

NL	
18" 450 mm	ZC7F400RSP
20" 500 mm	
22" 550 mm	
24" 600 mm	
26" 650 mm	

Cabinet widths 24–36" | 610–914 mm

NL	
18" 450 mm	2x ZC7F400RSP
20" 500 mm	
22" 550 mm	
24" 600 mm	
26" 650 mm	

Cabinet widths 36–42" | 914–1067 mm

NL	
18" 450 mm	ZR7.1080U + 2x ZC7U10E0 (LEGRABOX pure) or + 2x ZC7U11E0 (LEGRABOX free) + 2x ZC7U10F0
20" 500 mm	
22" 550 mm	
24" 600 mm	
26" 650 mm	

Pull-outs – Bathroom

Cabinet widths 14–24" | 356–610 mm

NL	
12" 300 mm	ZC7F300RSU
14" 350 mm	
16" 400 mm	

Cabinet widths 24–42" | 610–1067 mm

NL	
12" 300 mm	2x ZC7F300RSU
14" 350 mm	
16" 400 mm	

Cabinet widths ≥ 42" | ≥ 1067 mm

NL	
12" 300 mm	3x ZC7F300RSU
14" 350 mm	
16" 400 mm	

Adapter Profile required for magnetic connection to chipboard back – ZC7A0P0C or ZC7A0P0F see page 31.

Pull-outs – Cross gallery for cutting to size

Cabinet widths 36–42" | 914–1067 mm

NL	LEGRABOX pure	LEGRABOX free	MERIVOBX BOXCAP	MERIVOBX BOXCOVER
18–26" 450–650 mm	ZR7.1080U + 2x ZC7U10E0 + 2x ZC7U10F0	ZR7.1080U + 2x ZC7U11E0 + 2x ZC7U10F0	ZR4.1059U + 2x ZC4U10E0 + 2x ZC4U10F0	ZR4.1059U + 2x ZC4U11E0 + 2x ZC4U10F0

Pull-outs – Bottle set

Cabinet widths 4" | 100 mm

NL	
18–22" 450–550 mm	ZC7B0100S

Cabinet widths 8" | 200 mm

NL	
18–22" 450–550 mm	ZC7B0200S



Inside Drawer Dimension = Inside Cabinet Width - X
(for LEGRABOX X=41, MERIVOBX X=56)
1" = 25.4 mm

Drawer – cutlery insert

Cutlery insert

NL	Width	
450 mm	300 mm	ZC7S450BS3

Cutlery insert

NL	Width	
500 mm	300 mm	ZC7S500BS3

Cutlery insert

Length	Width	
100 mm	300 mm	ZC7S100AS3

To achieve a 550 mm, use ZC7S450BS3 in combination with the 100 mm insert.
To achieve a 600 mm, use ZC7S500BS3 in combination with the 100 mm insert.

Drawer frame

Narrow drawer frame

NL	Width	
450 mm	100 mm	ZC7S450RS1
500 mm	100 mm	ZC7S500RS1
550 mm	100 mm	ZC7S550RS1

Wide drawer frame

NL	Width	
450 mm	200 mm	ZC7S450RS2
500 mm	200 mm	ZC7S500RS2
550 mm	200 mm	ZC7S550RS2

Cross divider

Height	Width	
45 mm	92.6 mm	ZC7Q010SS
45 mm	192.6 mm	ZC7Q020SS

High fronted pull-out frame

High fronted pull out frame

Length	Width	
370.3 mm	218 mm	ZC7F400RSP

High fronted pull out frame

Length	Width	
270.3 mm	242 mm	ZC7F300RSU

Cross divider

Height	Width	
100 mm	211.1 mm	ZC7Q0P0FS
100 mm	235.1 mm	ZC7Q0U0FS

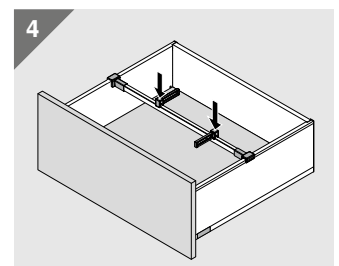
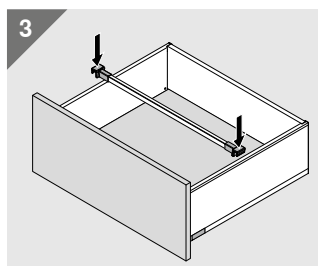
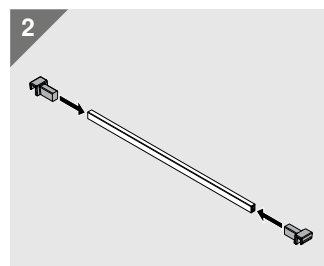
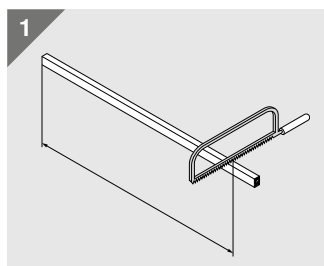
Adapter profile – connection to chipboard back

Height	Width	
C	217.5 mm	ZC7A0P0C
F	217.5 mm	ZC7A0P0F

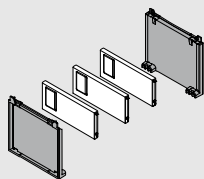
Pull-outs – Cross gallery for cutting to size

Cabinet widths 36–42" | 914–1067 mm

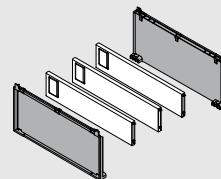
NL	LEGRABOX pure	LEGRABOX free	MERIVOBX BOXCAP	MERIVOBX BOXCOVER
18–26" 450–650 mm	ZR7.1080U + 2x ZC7U10E0 + 2x ZC7U10F0	ZR7.1080U + 2x ZC7U11E0 + 2x ZC7U10F0	ZR4.1059U + 2x ZC4U10E0 + 2x ZC4U10F0	ZR4.1059U + 2x ZC4U11E0 + 2x ZC4U10F0



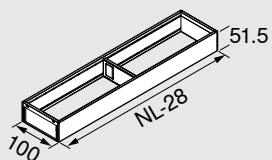
LEGRABOX: LW - 90 mm
MERIVOBX: LW - 111 mm

AMBIA-LINE Bottle set
Bottle solution narrow

Width

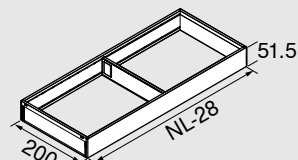
100 mm

ZC7B0100S
Bottle solution wide

Width

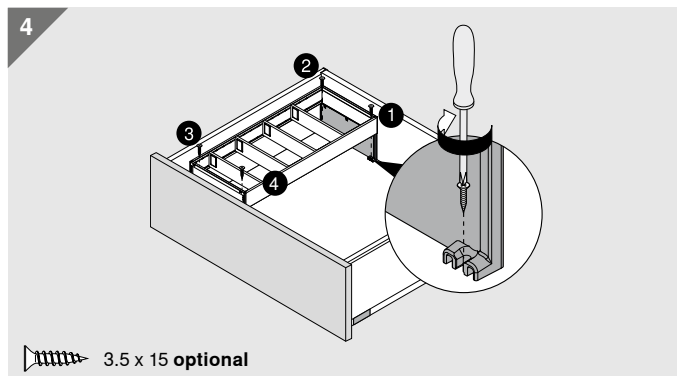
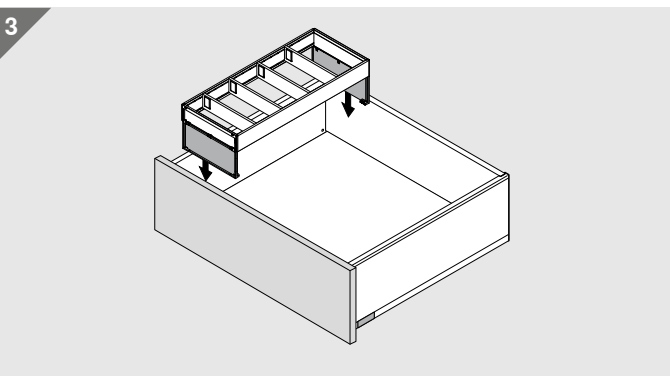
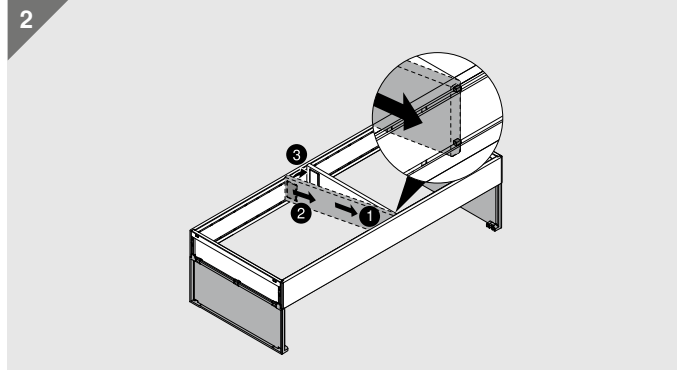
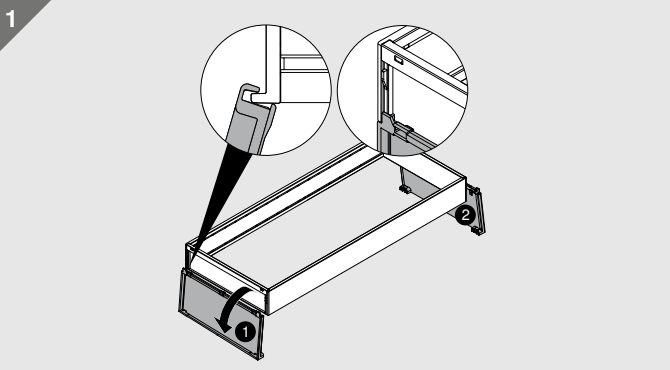
200 mm

ZC7B0200S
To be used in combination with narrow or wide drawer frame
Narrow drawer frame


NL	Width	
450 mm	100 mm	ZC7S450RS1
500 mm	100 mm	ZC7S500RS1
550 mm	100 mm	ZC7S550RS1

Wide drawer frame


NL	Width	
450 mm	200 mm	ZC7S450RS2
500 mm	200 mm	ZC7S500RS2
550 mm	200 mm	ZC7S550RS2





Small accessories, big impact

The beautifully designed AMBIA-LINE kitchen accessories are a perfect combination of form and function. Holders for knives, plates and spices and a film/foil dispenser keep kitchens nice and tidy. Everything runs like clockwork because you have clear visibility of utensils in the pull-out and everything is immediately at hand.



Kitchen accessories

Assembly, adjustment and removal

www.blum.com/ambialine-accessories

Spice holder + Pull out frame

	Length	Width	
1	356 mm	204.5 mm	ZC7G0P01
2	370.3 mm	218 mm	ZC7F400RSP

Plate holder

Height	For plates from	
170 mm	Ø 186–322 mm	ZC7T0350

Foil / film dispenser + Drawer frame

	Length	Width	
1	409 mm	187 mm	ZC7C0000
2	422 mm	200 mm	ZC7S450RS2
			ou ZC7S500RS2
			ou ZC7S550RS2

Knife holder + Drawer frame

	Length	Width	
1	409 mm	187 mm	ZC7M0200
2	422 mm	200 mm	ZC7S450RS2
			ou ZC7S500RS2
			ou ZC7S500RS2

i Drawer frame used in combination with foil/film dispenser and/or knife holder should be equal to NL of drawer.





ORGA-LINE

Overview of ORGA-LINE sets

Blum offers practical inner dividing systems for drawers for every type of storage item. ORGA-LINE sets with high-quality stainless steel trays and/or utensil dividers are available in nominal lengths of 500 and 550 mm. We have the right applications for any drawer width so that you can beautifully organize interiors and effortlessly see every single item.



Practical dividers

High-quality, hygienic stainless steel trays keep cutlery and other items nice and tidy. The containers can be removed individually and are dishwasher safe.

Adjustable utensil dividers

ORGA-LINE allows you to beautifully organize storage items of every shape and size. The utensil dividers can be positioned flexibly to suit your needs.

Individual sets

Combine different sets and tailor interiors to meet your requirements.

Combo sets

These sets are a combination of utensil dividers and containers and are not only practical for kitchens, but for furniture throughout the home.





Practical flexibility

ORGA-LINE containers, lateral and cross dividers can be flexibly arranged to suit storage items. Whatever the contents, ORGA-LINE tidies up drawers and allows you to make full use of the storage space available. The system can be adapted at any time to accommodate more items, such as pots or dinnerware.



Practical visibility

ORGA-LINE gives you clear visibility of contents and ensures that large items are held securely. Everything at a glance: ORGA-LINE delivers organization and easy access to every single item. And should guests want to help with the cooking, the right spice is immediately at hand.



Practical hygiene

Children's sticky fingers leave marks. Sounds familiar? No problem with ORGA-LINE. The high-quality stainless steel containers can be easily cleaned without damaging the material. They're even designed for dishwasher use. That is Blum quality – for the lifetime of the furniture.



Practical expandability


ORGA-LINE kitchen accessories make kitchen chores easier and organize interiors. The film/foil dispenser and knife, spice and plate holders ensure that everything is exactly where it should be – be it in the kitchen or an outdoor gathering. And they can be quickly cleared away when you're done.

Container sets for TANDEMBOX

Cabinet widths 9–18" 229–457 mm		Cabinet widths 18–21" 457–533 mm		Cabinet widths 21–24" 533–610 mm	
NL		NL		NL	
20" 500 mm	ZSI.500BI1N	20" 500 mm	ZSI.500BI3A	20" 500 mm	ZSI.500BI3A + ZSI.500F11
22" 550 mm	ZSI.550BI1N	22" 550 mm	ZSI.550BI3A	22" 550 mm	ZSI.550BI3A + ZSI.550F11
Cabinet widths 24–27" 610–686 mm		Cabinet widths 27–33" 686–838 mm		Cabinet widths 33–36" 838–914 mm	
NL		NL		NL	
20" 500 mm	ZSI.500BI1N + ZSI.500BI3A	20" 500 mm	ZSI.500BI1N + ZSI.500BI3A + ZSI.500F11	20" 500 mm	2 x ZSI.500BI3A
22" 550 mm	ZSI.550BI1N + ZSI.550BI3A	22" 550 mm	ZSI.550BI1N + ZSI.550BI3A + ZSI.550F11	22" 550 mm	2 x ZSI.550BI3A
Cabinet widths 36–42" 914–1067 mm		Cabinet widths ≥ 42" ≥ 1067 mm		SPACE CORNER	
NL		NL		NL	
20" 500 mm	2 x ZSI.500BI3A + 1 x ZSI.500F11	20" 500 mm	2 x ZSI.500BI3A + 2 x ZSI.500F11	26" 650 mm	ZSI.500BI3E
22" 550 mm	2 x ZSI.550BI3A + 1 x ZSI.550F11	22" 550 mm	2 x ZSI.550BI3A + 2 x ZSI.550F11		

Utensil divider sets

Cabinet widths 9–18" | 229–457 mm



NL	
20" 500 mm	ZSI.500F11
22" 550 mm	ZSI.550F11

Cabinet widths 18–21" | 457–533 mm




NL	
20" 500 mm	ZSI.500F13
22" 550 mm	ZSI.550F13

Cabinet widths 21–33" | 533–838 mm



NL	
20" 500 mm	ZSI.500F11 + ZSI.500F13
22" 550 mm	ZSI.550F11 + ZSI.550F13

Cabinet widths 33–39" | 838–991 mm




NL	
20" 500 mm	2 x ZSI.500F13
22" 550 mm	2 x ZSI.550F13

Cabinet widths 39–45" | 991–1143 mm



NL	
20" 500 mm	1 x ZSI.500F11 + 2 x ZSI.500F13
22" 550 mm	1 x ZSI.550F11 + 2 x ZSI.550F13

Cabinet widths ≥ 45" | ≥ 1143 mm



NL	
20" 500 mm	3 x ZSI.500F13
22" 550 mm	3 x ZSI.550F13

Odds and ends sets

Cabinet widths 9–18" | 229–457 mm



NL	
20" 500 mm	ZSI.500BI1N
22" 550 mm	ZSI.550BI1N

Cabinet widths 18–24" | 457–610 mm



NL	
20" 500 mm	ZSI.500BI3A
22" 550 mm	ZSI.550BI3A

Cabinet width 24–30" | 610–762 mm




NL	
20" 500 mm	ZSI.500BI1N + ZSI.500BI3A
22" 550 mm	ZSI.550BI1N + ZSI.550BI3A

Cabinet widths 30 ≥ 36" | 762 ≥ 914 mm



NL	
20" 500 mm	ZSI.500BI3A + ZSI.500F13
22" 550 mm	ZSI.550BI3A + ZSI.550F13

SPACE CORNER



NL	
26" 650 mm	ZSI.500F13

1 **2** Please see page 45 for more information about the knife holder and foil/film dispensers.

Container sets for MOVENTO and TANDEM

Cabinet widths 9–18" 229–457 mm		Cabinet widths 18–21" 457–533 mm		Cabinet width 21–30" 533–762 mm	
NL		NL		NL	
20" 500 mm	ZHI.437B1	20" 500 mm	ZHI.437B3	20" 500 mm	ZHI.437B1 + ZHI.437B3
22" 550 mm	ZHI.487B1	22" 550 mm	ZHI.487B3	22" 550 mm	ZHI.487B1 + ZHI.487B3
Cabinet widths 30–42" 762–1067 mm		Cabinet width ≥ 42" ≥ 1067 mm		SPACE CORNER	
NL		NL		NL	
20" 500 mm	2 x ZHI.437B3	20" 500 mm	3 x ZHI.437B3	20" 500 mm	ZHI.437B3
22" 550 mm	2 x ZHI.487B3	22" 550 mm	3 x ZHI.487B3	22" 550 mm	ZHI.487B3


Utensil divider sets

Cabinet widths 9–18" 229–457 mm		Cabinet widths 15–24" 381–610 mm		Cabinet widths 24–36" 610–914 mm	
NL		NL		NL	
20" 500 mm	ZHI.437F1	20" 500 mm	ZHI.437F3	20" 500 mm	ZHI.437F1 + ZHI.437F3
22" 550 mm	ZHI.487F1	22" 550 mm	ZHI.487F3	22" 550 mm	ZHI.487F1 + ZHI.487F3
Cabinet widths 36–42" 914–1067 mm		Cabinet width ≥ 42" ≥ 1067 mm		SPACE CORNER	
NL		NL		NL	
20" 500 mm	2 x ZHI.437F3	20" 500 mm	2 x ZHI.437F3 + 1 x ZHI.437F1	20" 500 mm	ZHI.437F3
22" 550 mm	2 x ZHI.487F3	22" 550 mm	2 x ZHI.487F3 + 1 x ZHI.487F1	22" 550 mm	ZHI.487F3

1 **2** Please see page 45 for more information about the knife holder and foil/film dispensers.

Odds and ends sets

Cabinet widths 9–15" | 229–381 mm



NL	
20" 500 mm	ZHI.437B1
22" 550 mm	ZHI.487B1

Cabinet widths 15–18" | 381–457 mm



NL	
20" 500 mm	ZHI.437B1 + ZHI.437F1
22" 550 mm	ZHI.487B1 + ZHI.487F1

Cabinet widths 18–21" | 457–533 mm



NL	
20" 500 mm	ZHI.437B3
22" 550 mm	ZHI.487B3

Cabinet widths 21–30" | 533–762 mm



NL	
20" 500 mm	ZHI.437F1 + ZHI.437B3
22" 550 mm	ZHI.487F1 + ZHI.487B3

Cabinet widths 30–42" | 762–1067 mm




NL	
20" 500 mm	ZHI.437B3 + ZHI.437F3
22" 550 mm	ZHI.487B3 + ZHI.487F3

Cabinet widths ≥ 42" | ≥ 1067 mm



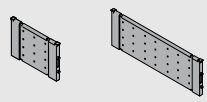
NL	
20" 500 mm	2 x ZHI.437B3 + 1 x ZHI.437F1
22" 550 mm	2 x ZHI.487B3 + 1 x ZHI.487F1

SPACE CORNER



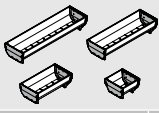
NL	
20" 500 mm	ZHI.437B3
22" 550 mm	ZHI.487B3

Adjustable cross dividers



Width	
3 1/2" 88 mm	ZSI.010Q
7" 176 mm	ZSI.020Q

Containers



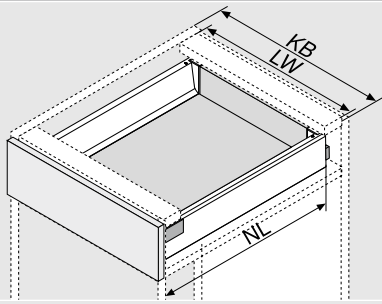
Width x length	
88 x 88 mm	ZSI.010SI
88 x 176 mm	ZSI.020SI
88 x 264 mm	ZSI.030SI
88 x 352 mm	ZSI.040SI

i Inside Drawer Dimension = Inside Cabinet Width - 42 mm (for Wooden Drawer)

1" = 25.4 mm

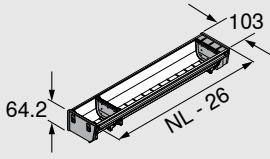
Order specifications for TANDEMBOX drawers

Space requirement



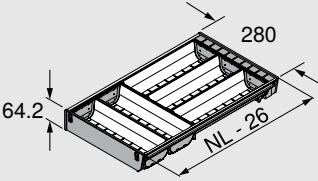
KB	Cabinet width
LW	Inner cabinet width
NL	Nominal length

Set BI1



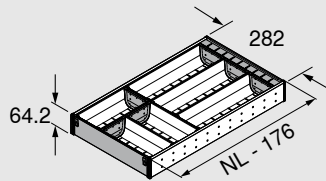
NL	
500 mm	ZSI.500BI1N
550 mm	ZSI.550BI1N

Container set



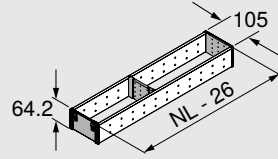
NL	
500 mm	ZSI.500BI3A
550 mm	ZSI.550BI3A

Set BI3E for SPACE CORNER



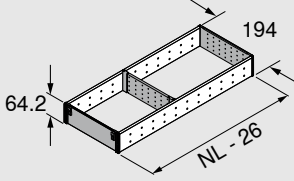
NL	
650 mm	ZSI.500BI3E

Set FI1



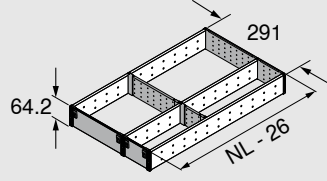
NL	
500 mm	ZSI.500FI1
550 mm	ZSI.550FI1

Set FI2



NL	
500 mm	ZSI.500FI2
550 mm	ZSI.550FI2

Set FI3



NL	
500 mm	ZSI.500FI3
550 mm	ZSI.550FI3

NL - Nominal length and imperial measurements are approximate – refer to metric measurements for more accurate measurements.

Order specifications for wood drawers using MOVENTO or TANDEM

Space requirement

KB	Cabinet width
LW	Inner cabinet width
NL	Nominal length

Container set

NL	
500 mm	ZHI.437B11
550 mm	ZHI.487B11

Container set

NL	
500 mm	ZHI.437B13
550 mm	ZHI.487B13

Utensil divider set

NL	
500 mm	ZHI.437F11
550 mm	ZHI.487F11

Utensil divider set

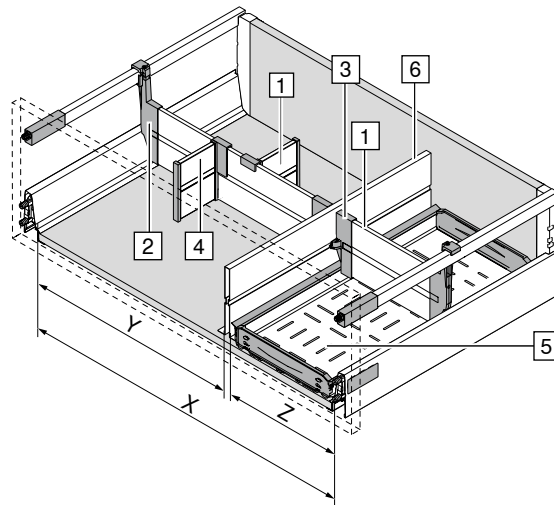
NL	
500 mm	ZHI.437F12
550 mm	ZHI.487F12

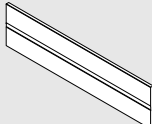
Utensil divider set

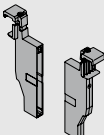
NL	
500 mm	ZHI.437F13
550 mm	ZHI.487F13

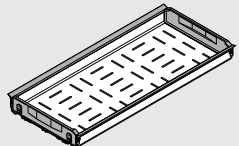
i Inside Drawer Dimension = Inside Cabinet Width - X (For LEGRABOX X=41, TANDEMBOX X=75, Wooden Drawer X=42)

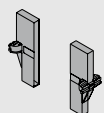
1" = 25.4 mm

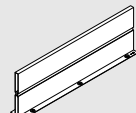
Order specifications for TANDEMBOX high fronted pull-outs


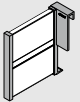
1	Cross divider for cutting to size
	
Silk white, RAL 9006 grey	
KB 1200 mm	Z40L1077A
Aluminium for cutting to size:	
Cutting measurement for cross divider:	
X = LW - 91 mm	
Y = LW - 320 mm	
Z = LW - 177 mm	

2	Cross divider connector
	
Silk white, white grey	
For gallery	
For height C	Z40C0002Z
For height D	Z40D0002Z

5	Bottle rack
	
KB 300 mm	
NL	
500 mm	Z48.30B016
550 mm	Z48.30B017

3	Cross divider connector
	
Silk white, white grey	
Z40L0002	

6	Dividing wall
	
Silk white, RAL 9006 grey	
NL	
500 mm	Z46L470S
550 mm	Z46L520S
Not available for the inner pull-out!	

4	Longside divider
	
Silk white, white grey	
Z43L100S	

KB Cabinet width
 LW Inner cabinet width
 NL Nominal length

Kitchen accessories

ORGA-LINE kitchen accessories simplify many tasks and provide organization. With the foil dispenser, knife, spice and plate holders, everything is close at hand exactly where it's needed – whether in the kitchen or at an outdoor barbecue. When the cooking is done, these kitchen accessories can easily and quickly be stored away.

Knife holder

For 9 knives

ZSZ.02M0

Film dispenser

For plastic film

Incl. film

ZSZ.01F0

Foil dispenser

For aluminium foil

Incl. foil

ZSZ.02F0

Spice holder

KB	Width (B)	
300 mm	212 mm	ZFZ.30G01
400 mm	312 mm	ZFZ.40G01
450 mm	362 mm	ZFZ.45G01

Plate-holder

ZC7T0350

Ø plates 186–322 mm

Total height 170 mm

Stacking height: up to 12 plates

Kitchen tool set

ZOU.30U11

Includes:

- 1 x Knife holder
- 1 x Film dispenser (incl. film)
- 1 x Foil dispenser (incl. foil)
- 2 x Spice holders (for KB 300 mm)
- 2 x Plate holders

i Placement of kitchen accessories

1 1x ZSZ.01F0

1 Or: 1x ZSZ.02F0

2 1x ZSZ.01F0 + 1x ZSZ.02F0

2 Or: 1x ZSZ.02M0

i Inside Drawer Dimension = Inside Cabinet Width - X (for TANDEMBOX X=75, Wooden Drawer X=42 mm)

1" = 25.4 mm



moving ideas

We believe that ideas can move the world. We offer innovative fittings, inspiring furniture concepts and appropriate services so that you can turn your creative ideas into reality. We are driven by your needs, international trends and our shared vision of a better quality of living. Let us work together to create moving ideas.



Quality of living

We would like you to enjoy greater convenience and functionality when using furniture.



Product range

Everything from a single source: our wide range of products allows you to keep up with today's and tomorrow's trends.



Inspiration

We monitor global trends and strive to create the solutions of tomorrow. We like to share our insights with you.



Innovation

We stay in motion. Curiosity and pioneering spirit drive us to develop new products and services for you.



Services

We support your daily operations with customised services tailored to your processes.



Quality

We continuously strive to improve our products, services and ourselves.



Trust

We take responsibility for partnerships, our employees, society and the environment.

Julius Blum started our journey in 1952 with horseshoe studs. Today we supply innovative fittings to customers in over 120 countries.

Blum Canada Ltd.
6775 Maritz Drive
Mississauga, ON, L5W 0H5
Tel.: 905-670-7920
Long Dist.: 1-800-670-9254
E-Mail: info.ca@blum.com

Julius Blum GmbH
Furniture Fittings Mfg.
6973 Höchst, Austria
Tel.: +43 5578 705-0
Fax: +43 5578 705-44
E-mail: info@blum.com
www.blum.com

Our sites in Austria, Poland and China are certified to the international standards mentioned below.
Our site in the USA is certified to ISO 9001.
Our site in Brazil is certified to ISO 9001, ISO 14001 and ISO 45001.



Look for our
FSC™-certified
products

All content is copyrighted by Blum.
Subject to technical modifications and changes to the range without notice.
IDNR: 579.377.3 · EP-587/1 EN-CA.06.23