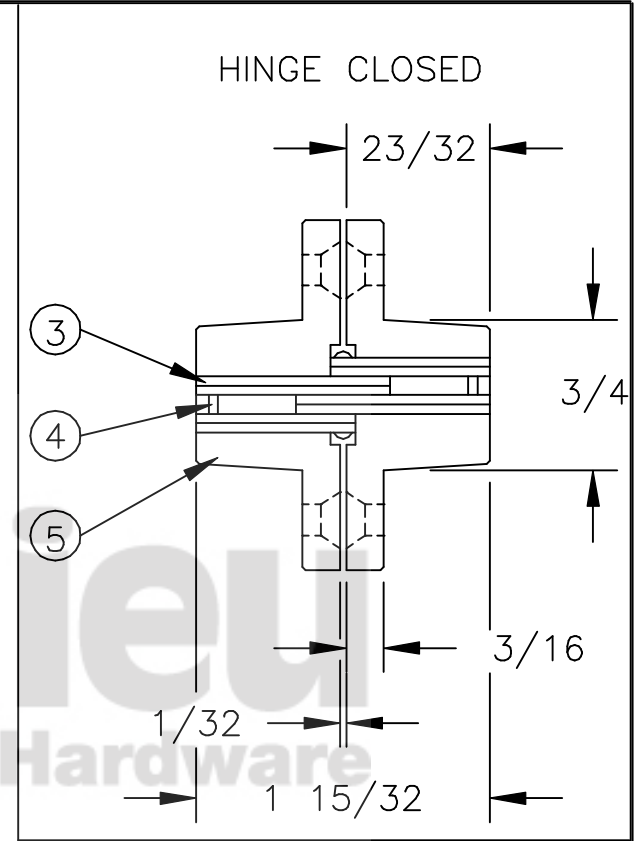
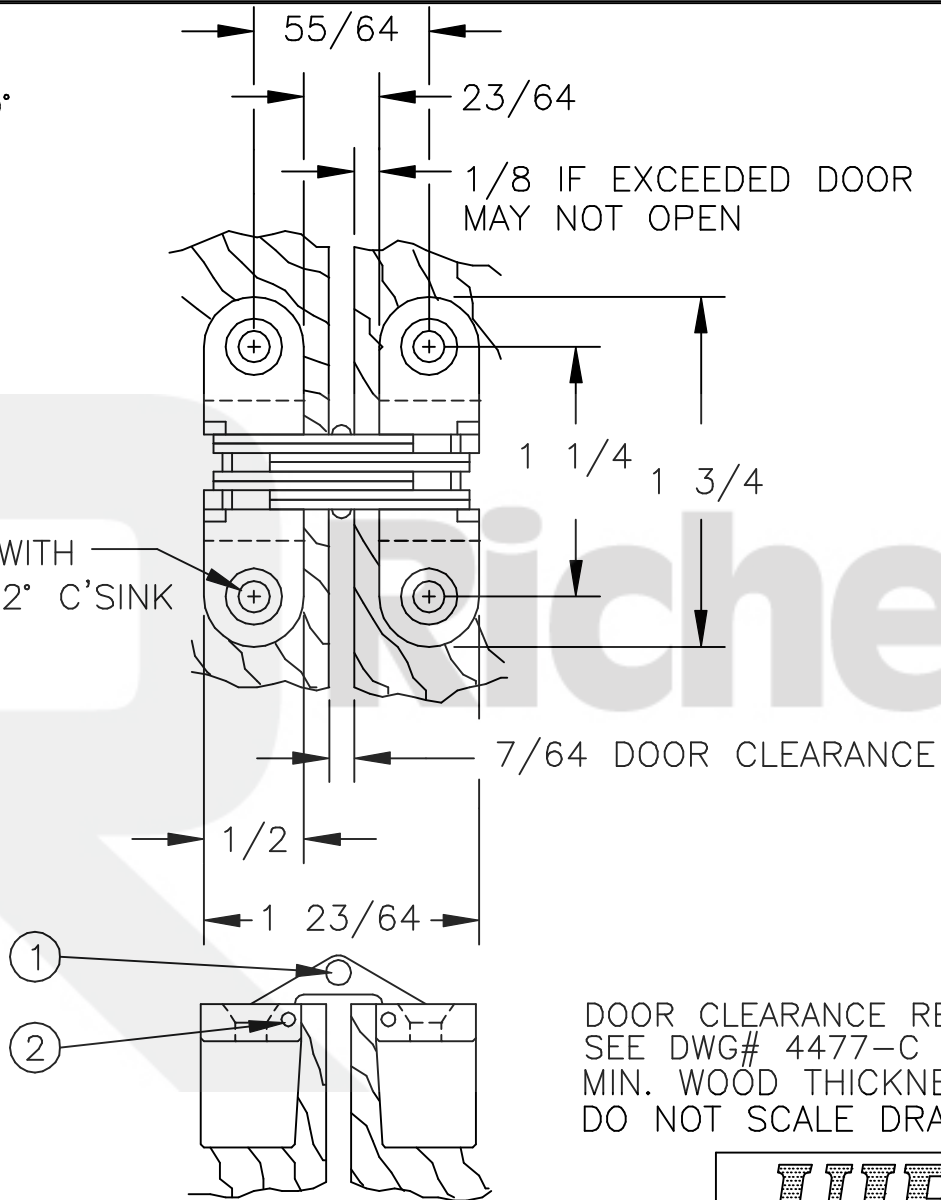


HINGE OPEN 180°

SUPPLIED
WOOD SCREW
#6 x 1"

OR
SPECIAL ORDER
6-40 x 1/2"
MACH. SCREW

.156 DIA. WITH
9/32 DIA. x 82° C'SINK



DOOR CLEARANCE REDUCES TO 1/64" WHILE CLOSING
SEE DWG# 4477-C IF ADDING MATERIAL TO DOOR FACE
MIN. WOOD THICKNESS IS 3/4 INCH
DO NOT SCALE DRAWING

5	2	BODY	ZINC
4	2	CHANNEL PIN	STEEL
3	8	LINK	STEEL
2	2	LONG PIN	STEEL
1	1	RIVET PIN	STEEL
NO.	QTY.	PART NAME	MATERIAL

UIP

©Copyright 1998
Universal Industrial Products Co. Inc.
One Coreway Drive
Pioneer, Ohio 43554-0628

SCALE:

NOT TO SCALE

DRAWN BY:

R. SEIGNEUR

HINGE TEMPLATE

DATE:

4/8/98

#203 SOSS INVISIBLE HINGE

DRAWING #

3947-C