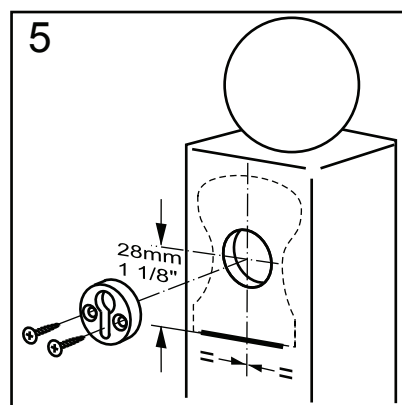
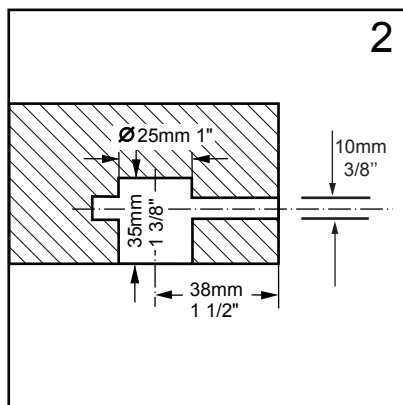
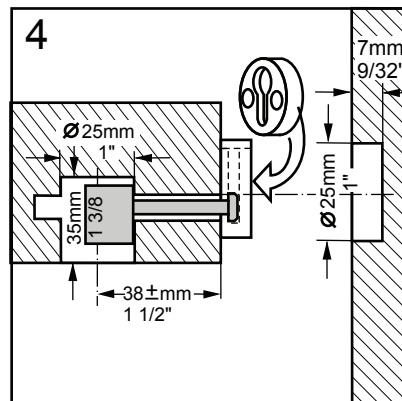
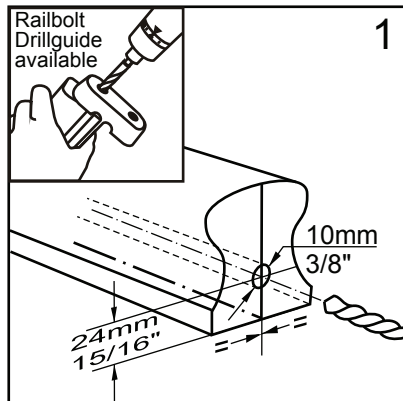
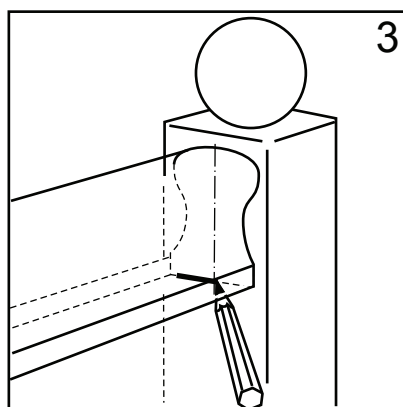


# SLIPFIX RAILBOLT INSTRUCTIONS

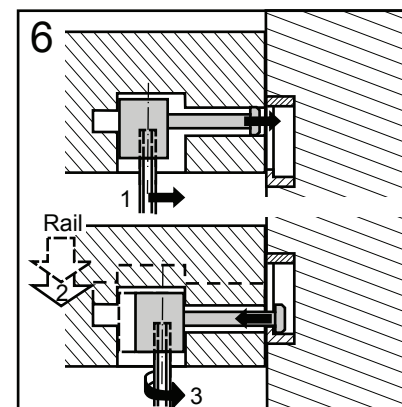


Mark and bore 25mm 1" and 10mm 3/8" holes as indicated.

To mark the centre of the keyhole disc measure 28mm 1 1/8" upwards from the bottom of the rail position. Using a 25mm 1" bit bore hole into post 7mm 9/32" deep so the keyhole disc is flush or slightly under. Secure disc with screws



Mark fully final position of the handrail onto post observing the centre line.



The shaft should be flush or under the surface of the rail end. Using a 5mm hex bit in a tool or Allen wrench fitted into the gear housing the shaft can be moved to engage into the disc keyhole. Then simple push rail downwards and tighten.