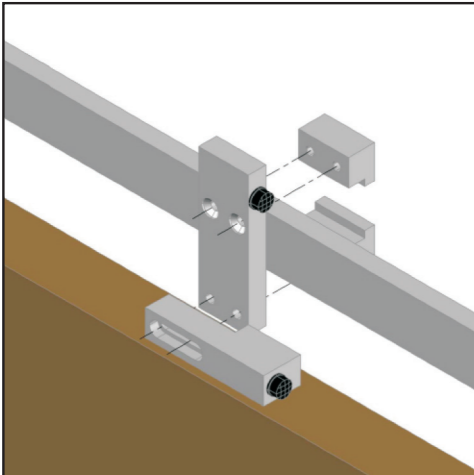
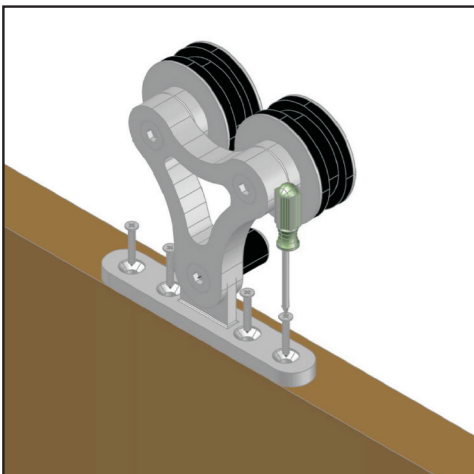


Installation Instructions



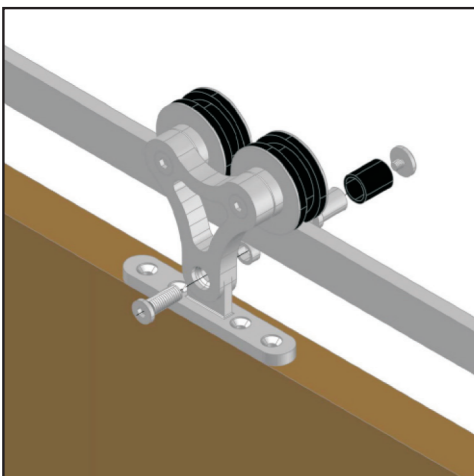
STEP 6
Install stoppers

- Install the door stoppers on the left and right ends of the running rail.
- **WARNING:**
To prevent sliding door from sliding off the running rail during installation.



STEP 7
Fastening the roller carriage

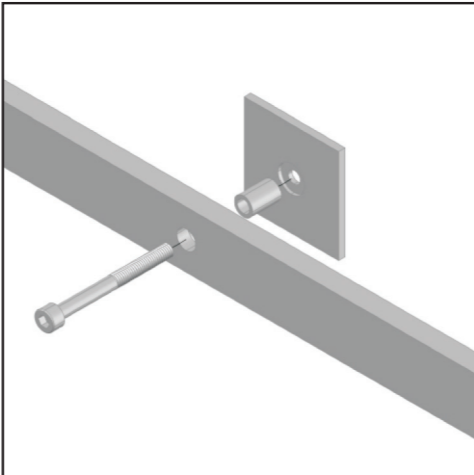
- Before installing the roller carriage on your wood door, be sure to outline the correct position and pre-drill your holes.
- Fasten the roller carriage to your wood door using the enclosed screws. Tighten the screws by hand.



STEP 8
Hanging the panel and fastening the lift-locking device

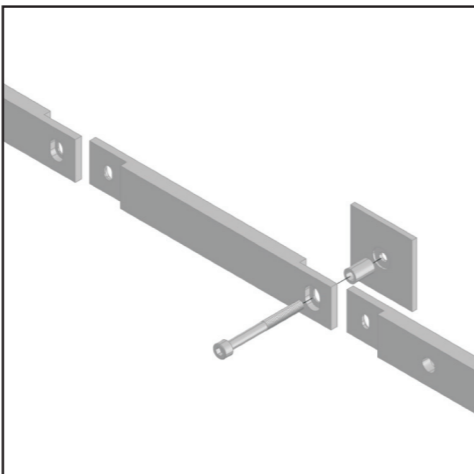
- Hang assembled sliding door onto the running rail.
- **FOR SECURITY REASONS:** put plastic wedges under the sliding door panel and ensure 7mm spacing.
- **PAY ATTENTION TO THE PREVIOUSLY INSTALLED FLOOR GUIDE!**
- Re-fasten the lift-locking device on the roller carriage.
- **WARNING:**
Do not leave any space between lift-locking device and running rail!
- Remove plastic wedges.

Installation Instructions



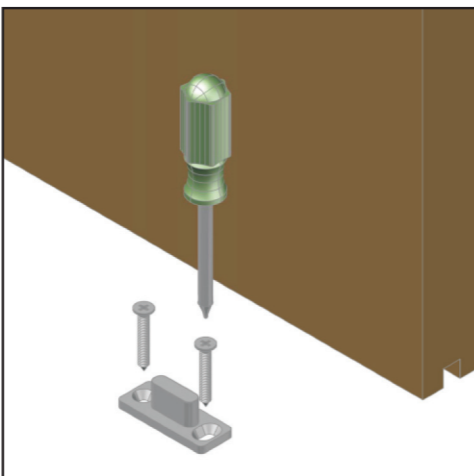
STEP 3
Fasten running rail on wall

- Fasten both extremities of the running rail on the wall with the back plate and sleeve using the enclosed fastening devices.



STEP 4
Fasten running rail connector if installing a door 34" - 48"

- Join both extremities of the running rail and connector together with the back plate and sleeve using the enclosed fastening devices.
- **WARNING:**
If you have bought ADDITIONAL ITEM 1, you will have 2 connectors to install.



STEP 5
Fasten floor guide

- Fasten the floor guide to the floor according to the detailed technical drawing.
- **WARNING:**
The door leaf should run parallel to the wall and be positioned at the desired distance from the wall.



Installation Instructions

(8916609170)

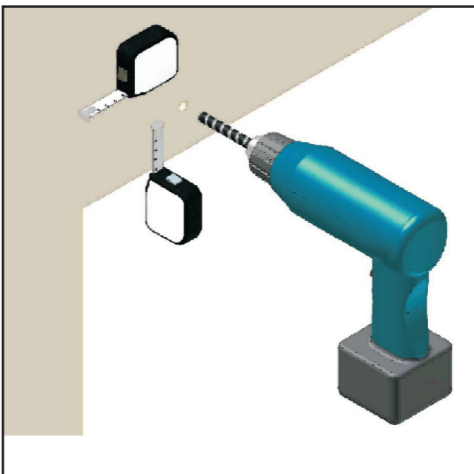
Installation Instructions



You need

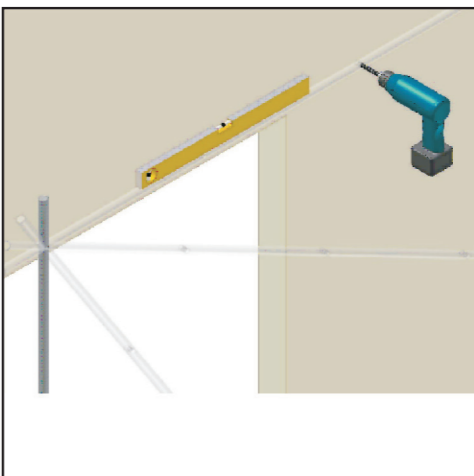
- Spirit level
- Measuring tape/foot rule
- Power drill
- 8 mm/10 mm drill bit for stone
- Phillips screwdriver
- Allen key set
- Plastic wedges

Please see safety instructions on power drill before starting assembly.



STEP 1
First wall drilling

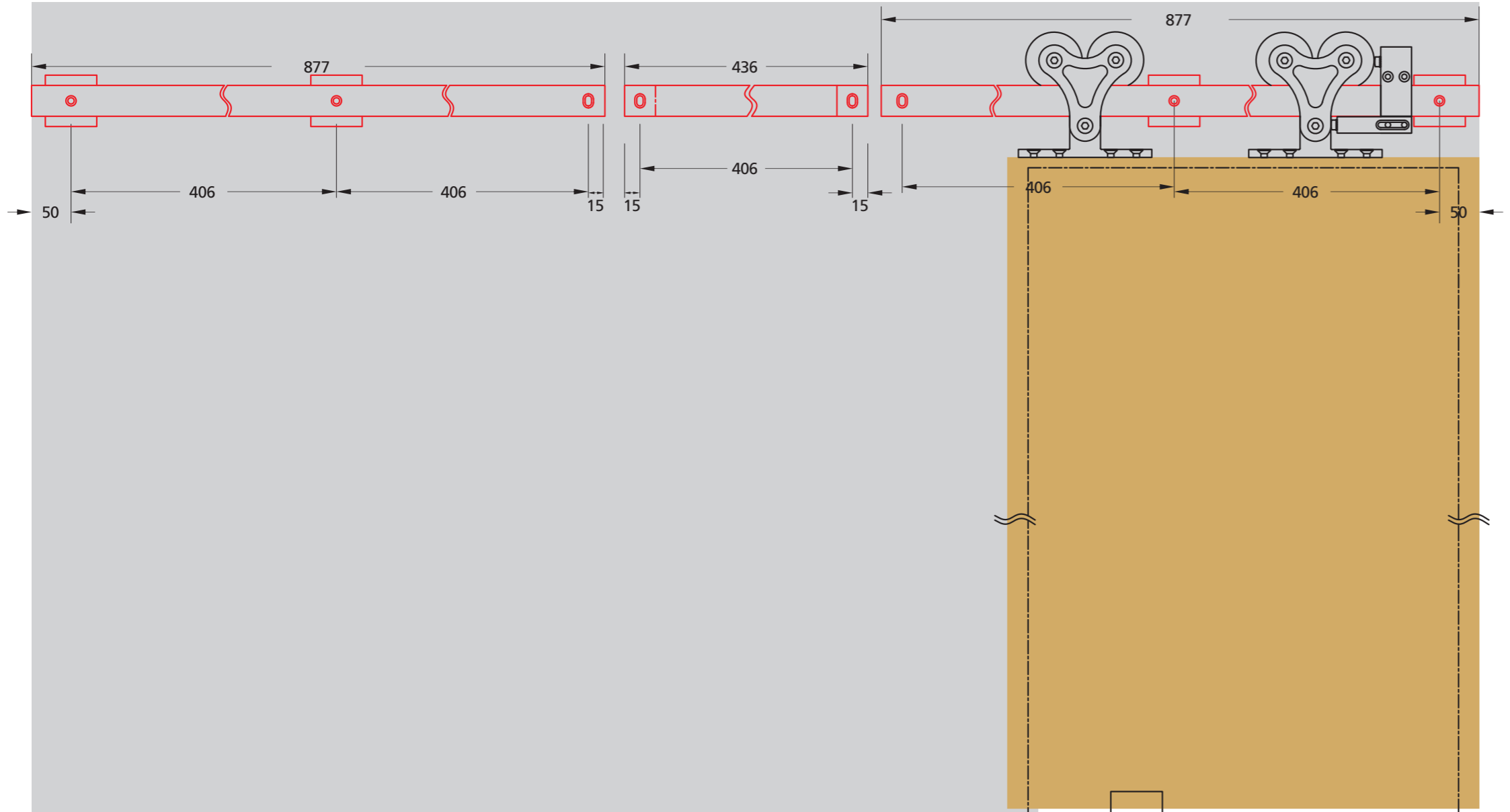
- Drill hole for exterior fastening of running rail on wall according to detailed drawing.



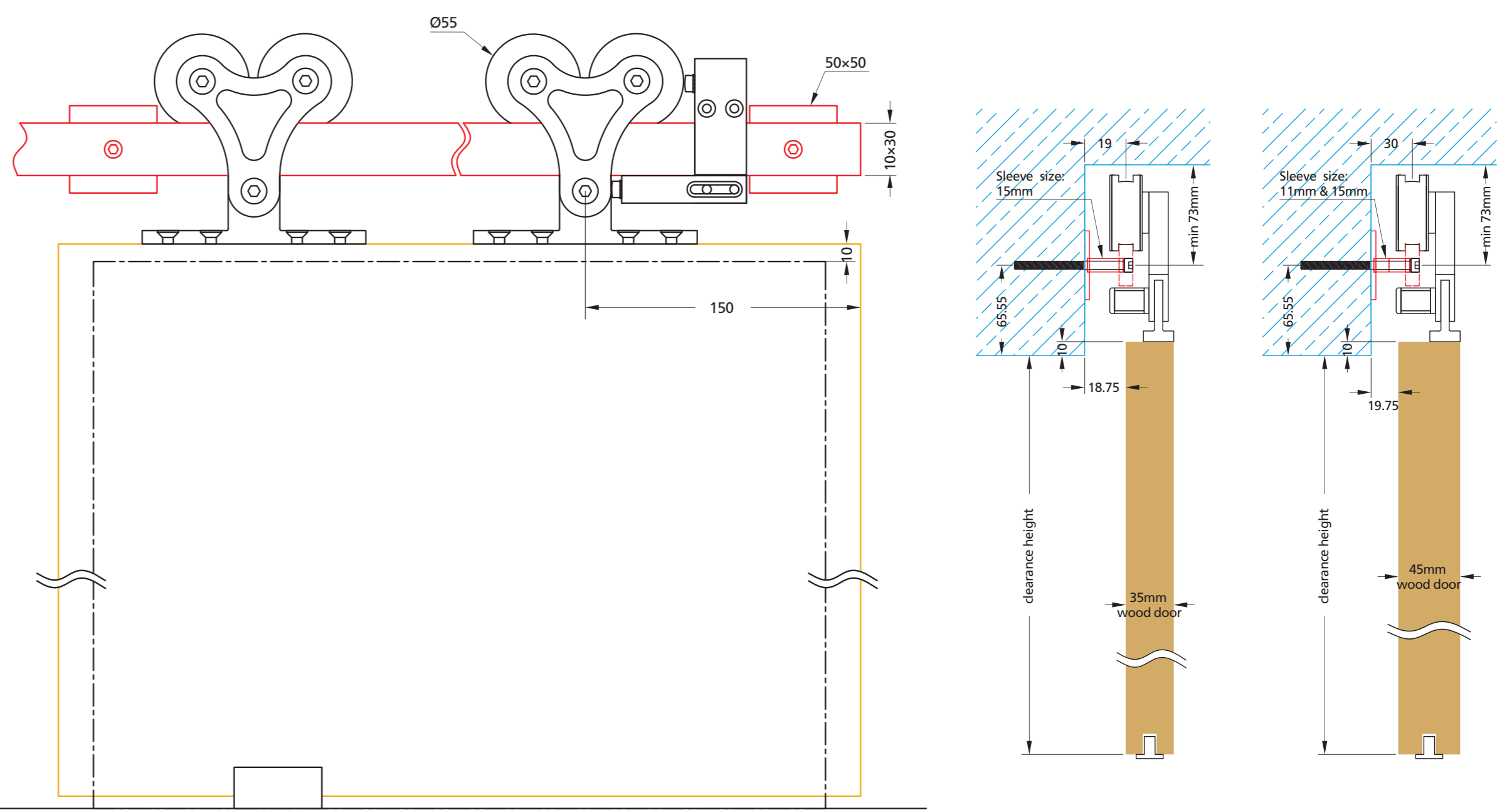
STEP 2
Remaining wall drillings

- «Loosely» screw on the exterior end of the running rail. Using the spirit level, ensure the running rail will be horizontally straight and use it as a drilling jig to pre-drill the fastening holes with an 8 mm drill bit. Drill the holes for the screw anchors with a 10 mm drill bit.

8916609170 TOP MOUNT HANGER SLIDING DOOR KIT



8916609170 TOP MOUNT HANGER SLIDING DOOR KIT



PARTS LIST (FOR 1 DOOR KIT)

- Sliding door roller x 2 pcs
- Wall Bracket x 5 pcs
- Door Stopper left side x 1 pc right side x 1 pc
- 10 x 30 mm rail (877 mm long) left side x 1 pc right side x 1 pc
- Floor Guide x 1 pc
- Sleeve (11 mm long) x 5 pcs (15 mm long) x 5 pcs
- Rail to wall screw (M6x100mm long) x 5 pcs
- Hex Key x 1 pc

ADDITIONAL ITEM 1

- (Item: 89166011170)**
- 10 x 30 mm rail middle connector x 1 pc (436 mm long)
 - Wall Bracket x 1 pc
 - Sleeve (Dia 9.8mm) 11 mm long x 1 pc 15 mm long x 1 pc 22 mm long x 1 pc 26 mm long x 1 pc 32 mm long x 1 pc
 - Rail to wall screw (M6x100mm long) x 1 pc

ADDITIONAL ITEM 2

- (Item: 89166012170SCDW)**
- Soft Closer Activator x 1 pc
 - M5x60mm screw x 2 pcs
 - Sleeve (Dia 9.8mm) 25 mm long x 2 pcs
 - Soft Closer x 1 pc

