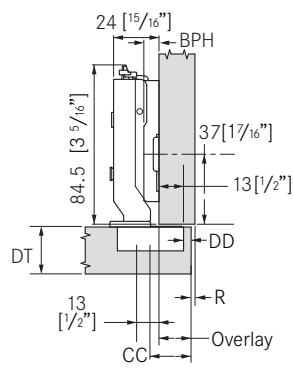


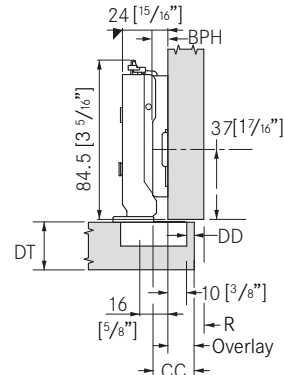
**Full overlay      Overlay      Half overlay      Inset**



Drawing shows Tiomos with a base plate height (BPH) 02.

Drilling Distance (DD)

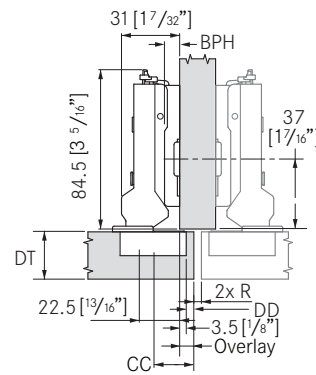
|      | 3   | 4   | 5   | 6   | 7                       |
|------|-----|-----|-----|-----|-------------------------|
| 22.0 |     |     |     |     | 0                       |
| 21.0 |     |     |     | 0   |                         |
| 20.0 |     | 0   |     | 2   |                         |
| 19.0 | 0   |     |     | 2   | 3                       |
| 18.5 |     |     |     |     | 3.5                     |
| 18.0 | 0   |     | 2   | 3   |                         |
| 17.5 |     |     |     | 3.5 |                         |
| 17.0 |     | 2   | 3   |     |                         |
| 16.5 |     |     | 3.5 |     |                         |
| 16.0 | 2   | 3   |     |     |                         |
| 15.5 |     | 3.5 |     |     |                         |
| 15.0 | 3   |     |     |     |                         |
| 14.5 | 3.5 |     |     |     |                         |
|      |     |     |     |     | Base Plate Height (BPH) |



Drawing shows Tiomos with a base plate height (BPH) 02.

Drilling Distance (DD)

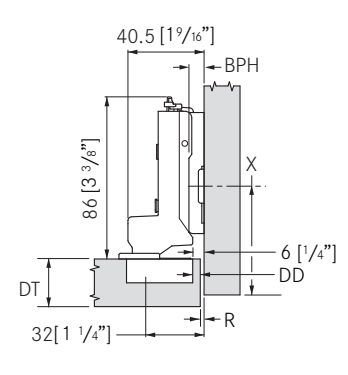
|      | 3   | 4   | 5   | 6   | 7                       |
|------|-----|-----|-----|-----|-------------------------|
| 19.0 |     |     |     |     | 0                       |
| 18.0 |     |     |     | 0   |                         |
| 17.0 |     |     | 0   |     | 2                       |
| 16.5 |     |     |     |     | 2                       |
| 16.0 | 0   |     |     | 2   | 3                       |
| 15.5 |     |     |     |     | 3.5                     |
| 15.0 | 0   |     | 2   | 3   |                         |
| 14.5 |     |     |     | 3.5 |                         |
| 14.0 |     | 2   | 3   |     |                         |
| 13.5 |     |     | 3.5 |     |                         |
| 13.0 | 2   | 3   |     |     |                         |
| 12.5 |     | 3.5 |     |     |                         |
| 12.0 | 3   |     |     |     |                         |
| 11.5 | 3.5 |     |     |     |                         |
|      |     |     |     |     | Base Plate Height (BPH) |



Drawing shows Tiomos with a base plate height (BPH) 02.

Drilling Distance (DD)

|      | 3   | 4   | 5   | 6   | 7                       |
|------|-----|-----|-----|-----|-------------------------|
| 12.5 |     |     |     |     | 0                       |
| 11.5 |     |     |     | 0   |                         |
| 10.5 |     |     |     | 0   | 2                       |
| 10.0 |     |     |     |     | 2                       |
| 9.5  | 0   |     |     | 2   | 3                       |
| 9.0  |     |     |     |     | 3.5                     |
| 8.5  | 0   |     | 2   | 3   |                         |
| 8.0  |     |     |     | 3.5 |                         |
| 7.5  |     | 2   | 3   |     |                         |
| 7.0  |     |     | 3.5 |     |                         |
| 6.5  | 2   | 3   |     |     |                         |
| 6.0  |     | 3.5 |     |     |                         |
| 5.5  | 3   |     |     |     |                         |
| 5.0  | 3.5 |     |     |     |                         |
|      |     |     |     |     | Base Plate Height (BPH) |



Drawing shows Tiomos with a base plate height (BPH) 02. X = 38.5+ DT

Drilling Distance (DD)

|     | 3 | 4 | 5 | 6   | 7                       |
|-----|---|---|---|-----|-------------------------|
| 0.0 |   | 0 |   | 2   | 3                       |
| 0.5 |   |   |   |     | 3.5                     |
| 1.0 | 0 |   | 2 | 3   |                         |
| 1.5 |   |   |   | 3.5 |                         |
| 2.0 |   | 2 | 3 |     |                         |
| 3.0 | 2 | 3 |   |     |                         |
| 4.0 | 3 |   |   |     |                         |
|     |   |   |   |     | Base Plate Height (BPH) |

**Minimum gaps**

The minimum gap is the gap between the closed door and the front of the cabinet.

|      | Drilling Distance (DD) |     |     |     |             |
|------|------------------------|-----|-----|-----|-------------|
|      | 3                      | 4   | 5   | 6   | 7           |
| 36.0 | 1.0                    | 1.0 | 1.0 | 1.0 | 2.4         |
| 30.0 | 1.0                    | 1.0 | 1.0 | 1.0 | 1.8         |
| 28.0 | 1.0                    | 1.0 | 1.0 | 1.0 | 1.7         |
| 26.0 | 1.0                    | 1.0 | 1.0 | 1.2 | 1.5         |
| 24.0 | 1.0                    | 1.0 | 1.0 | 1.0 | 1.5         |
| 22.0 | 1.0                    | 1.0 | 1.0 | 1.0 | 1.5         |
| 20.0 | 1.0                    | 1.0 | 1.0 | 1.0 | 1.0         |
| 18.0 | 1.0                    | 1.0 | 1.0 | 1.0 | 1.0         |
| 16.0 | 1.0                    | 1.0 | 1.0 | 1.0 | 1.0         |
|      |                        |     |     |     | Minimum gap |

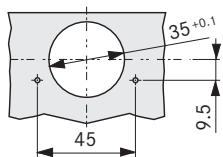
**Reveal**

Reveal dimensions were determined with an edge radius (of the door) of 1mm! Hinge dimensions and reveal calculation based on factory setting.

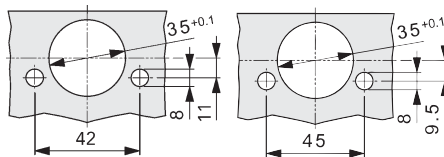
**IMPORTANT** To determine the correct application Grass strongly recommends a trial mounting for all hinges and base plates.

|      | Drilling Distance (DD) |      |     |     |            |
|------|------------------------|------|-----|-----|------------|
|      | 3                      | 4    | 5   | 6   | 7          |
| 36.0 | 10.5                   | 10.0 | 8.6 | 7.6 | 6.7        |
| 30.0 | 4.0                    | 3.0  | 2.5 | 1.9 | 2.4        |
| 28.0 | 2.0                    | 1.5  | 1.5 | 1.3 | 1.3        |
| 26.0 | 1.0                    | 1.0  | 1.0 | 1.0 | 1.0        |
| 24.0 | 0.6                    | 0.6  | 0.6 | 0.6 | 0.6        |
| 22.0 | 0.5                    | 0.5  | 0.5 | 0.5 | 0.5        |
| 20.0 | 0.3                    | 0.3  | 0.3 | 0.3 | 0.3        |
| 18.0 | 0.2                    | 0.2  | 0.2 | 0.2 | 0.2        |
| 16.0 | 0.2                    | 0.2  | 0.2 | 0.2 | 0.2        |
|      |                        |      |     |     | Reveal (R) |

**Screw-on**



**Impresso and Dowelled**



**Cup dimensions**

