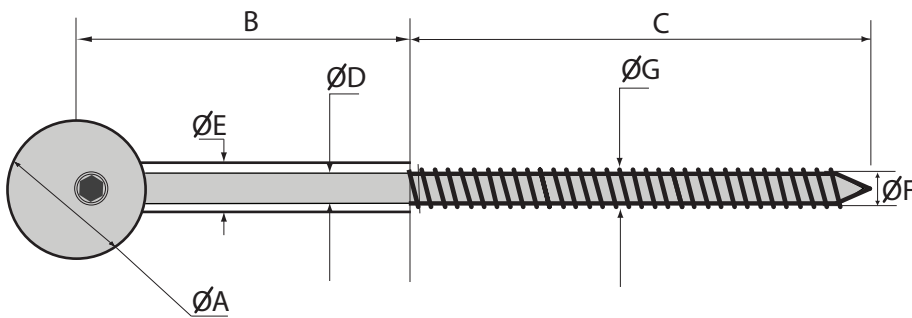


Super UT 14.100

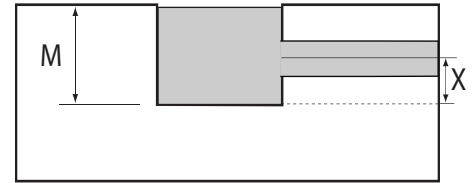
Post Fastener (12mmx278mm)



SPECIFICATION



SHAFT CENTRE CALCULATION



M= Minimum Bore Depth 30mm (1 3/16 inches)
 X = Shaft Centre 15mm (19/32 inches)

Measurements

	Millimitres	Inches
A	35	1 ³ / ₈
B	120	4 ²³ / ₃₂
C	143	5 ⁴¹ / ₆₄
D	11	7/ ₁₆
E	13	+/- 33/ ₆₄
F	+/- 10	13/ ₃₂
G	13.5	17/ ₃₂



Fix post to timber or concrete floor.
 Consider using more than 1 for posts larger than 90 mm sq