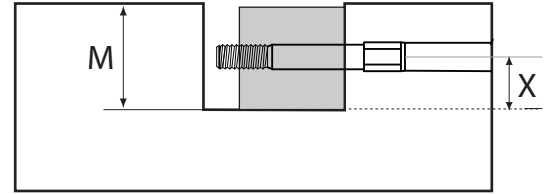
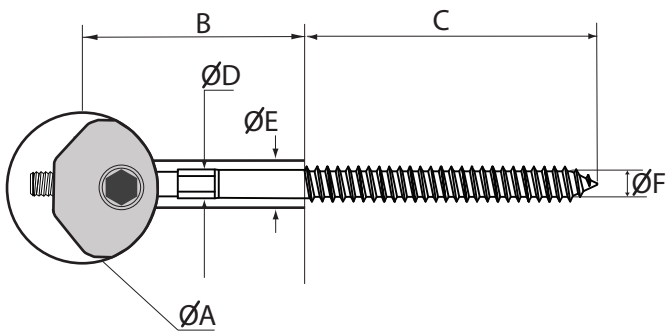


## SPECIFICATION



M= Minimum Bore Depth 20mm (51/64 inches)  
 X = Shaft Centre 10mm (25/64 inches)

## Measurements

	Millimetres	Inches
A	25	1
B	38	1 <sup>1</sup> / <sub>2</sub>
C	52	2 <sup>3</sup> / <sub>32</sub>
D	7	
E	9 - 10	<sup>3</sup> / <sub>8</sub>
F	6 - 7	<sup>1</sup> / <sub>4</sub>

