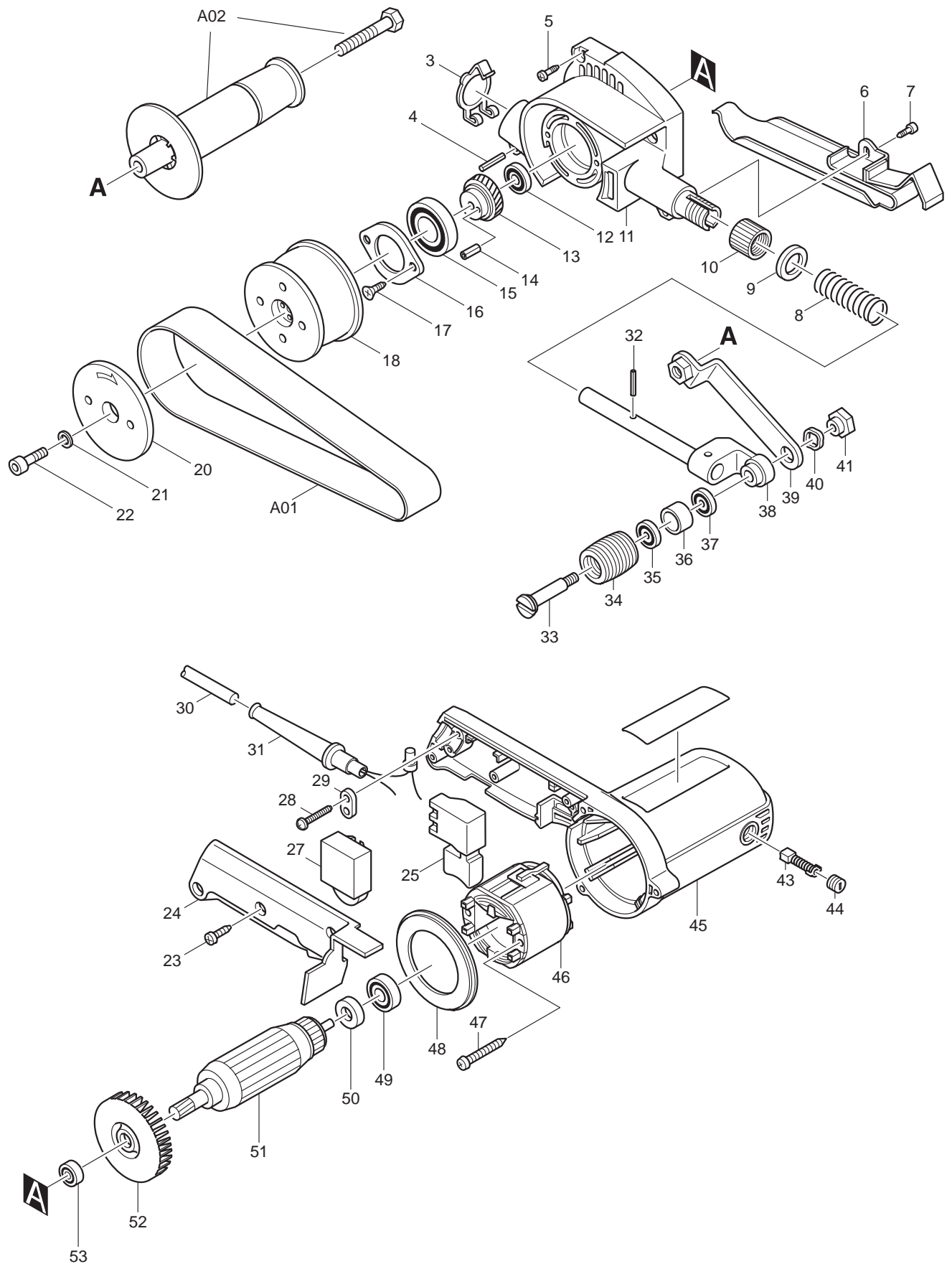




07 - 2009

9031

# 1-3/16" X 21" BELT SANDER



Item No	Type	Ref	Part No	Description	Qty	Unit
3			286241-4	CAP 30	1	PC.
4			951116-3	SPRING PIN 4-20	1	PC.
5	1		265924-9	TAPPING SCREW 4X25	3	PC.
	2		265999-8	TAPPING SCREW 4X25	3	PC.
6			342152-4	FLAT SHOE	1	PC.
7			266035-3	TAPPING SCREW BIND CT 5X12	1	PC.
8			231056-4	COMPRESSION SPRING 13	1	PC.
9			253052-2	FLAT WASHER 12	1	PC.
10			252605-4	WING NUT M16	1	PC.
11			159748-2	GEAR HOUSING COMPLETE	1	PC.
		INC.	263002-9	RUBBER PIN 4	1	PC.
12			211023-5	BALL BEARING 607LB	1	PC.
13			226435-9	HELICAL GEAR 35	1	PC.
14			258009-8A	SPRING PIN 3.5-12	1	PC.
15			211331-4	BALL BEARING 6904DDW	1	PC.
16			285830-2	BEARING RETAINER 44	1	PC.
17			266058-1	TAPPING SCREW CT 4X12	2	PC.
18			222129-4	PULLEY 33-64	1	PC.
20			415624-3	PULLEY LINER	1	PC.
21			941101-4	FLAT WASHER 5	1	PC.
22			266067-0	HEX. SOCKET HEAD BOLT M5X20	1	PC.
23	1		265941-9	TAPPING SCREW BT 4X18	3	PC.
	2		265995-6	TAPPING SCREW 4X18	3	PC.
24			415635-8	HANDLE COVER	1	PC.
25			651263-7	SWITCH SGEL206C	1	PC.
27	1		631184-9	CONTROLLER	1	PC.
	2		631676-8	CONTROLLER	1	PC.
28			265995-6	TAPPING SCREW 4X18	2	PC.
29			687063-9	STRAIN RELIEF	1	PC.
30			664064-4	CORD W/PLUG 2P-18-2.5M, SJ	1	PC.
31			682502-4	CORD GUARD 8-85	1	PC.
32			951116-3	SPRING PIN 4-20	1	PC.
33			322746-1	TOP PULLEY SHAFT	1	PC.
34			222130-9	PULLEY 30-25	1	PC.
35			210015-1	BALL BEARING 688DDW	1	PC.
36			331450-1	SLEEVE 12	1	PC.
37			210015-1	BALL BEARING 688DDW	1	PC.
38			154417-0	ANGLE STAY COMPLETE	1	PC.
39			165110-1	ARM COMPLETE	1	PC.
40			253904-7	WAVE WASHER 12	2	PC.
41			252138-9	HEX. NUT M6-17	1	PC.
43	1		191938-1	CARBON BRUSH CB-408, 2PCS/SET (W/O ORIGIN)	1	SET
	2		195008-8	CARBON BRUSH CB-408 2PC/SET (W/ ORIGIN)	1	SET
44			643550-8	BRUSH HOLDER CAP 5-8	2	PC.
45			159747-4	MOTOR HOUSING COMPLETE	1	PC.
		INC.	643932-4	BRUSH HOLDER 6X9 (OLD# 643917-0)	2	PC.
46			593316-5	FIELD ASS'Y 115V	1	PC.
		INC.	654100-4	RING TERMINAL	2	PC.
		INC.	654501-6	CONNECTOR P-1.25	2	PC.
47	1		265988-3	TAPPING SCREW BIND BT 4X60	2	PC.
	2		266052-3	TAPPING SCREW 4X60	2	PC.
48			415634-0	BAFFLE PLATE	1	PC.
49			211028-5	BALL BEARING 627LB	1	PC.

Item No	Type	Ref	Part No	Description	Qty	Unit
50			681614-0	INSULATION WASHER	1	PC.
51			517146-0	ARMATURE ASS'Y 115V	1	PC.
		INC.		Item No. 49,50,52,53	1	PC.
52			241884-9	FAN 60	1	PC.
53			210005-4	BALL BEARING 608DDW	1	PC.
100			652008-6	P.H.SCREW M3.5X7	4	PC.
101			654037-5	INSULATED TERMINAL FV1.25-M3	4	PC.
102			654593-5	SPLICE	2	PC.
<b><u>ACCESSORIES</u></b>		<b>- See catalogue or visit <a href="http://www.makita.ca">www.makita.ca</a> for more optional accessories -</b>				
A01			742301-7	ABRASIVE BELT 30X533 #40 DAXB, 10PCS/SET	2	PC.
			742302-5	ABRASIVE BELT 30X533 #60 DAXB, 10PCS/SET	2	PC.
			742303-3	ABRASIVE BELT 30X533 #80 DAXB, 10PCS/SET	2	PC.
			742304-1	ABRASIVE BELT 30X533 #100 DAXB, 10PCS/SET	2	PC.
			742305-9	ABRASIVE BELT 30X533 #120 DAXB, 10PCS/SET	2	PC.
A02	1		152490-4	GRIP 36 COMPLETE - N/L/A	1	PC.
	2		153489-2	GRIP 36 COMPLETE	1	PC.
		INC.	921462-8	HEX BOLT M8X40	1	PC.
A03			777777-A	TOUCH-N-CLEAN STICK	1	PC.