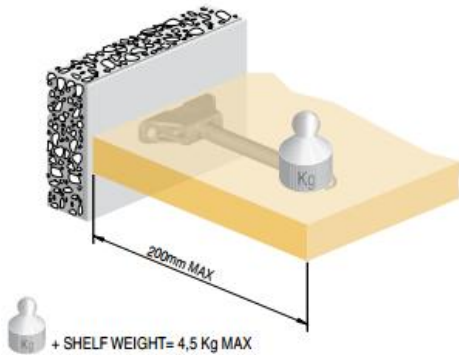
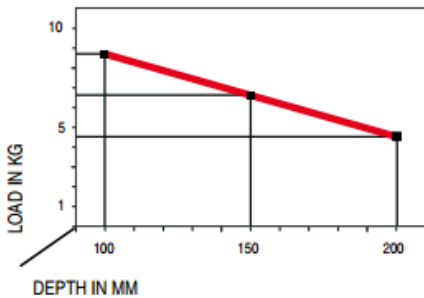




Triade: the concealed way to support shelves of great thickness!  
 With three independent adjustments, you will be able to set your shelves the exact way you visualized them!

**COMBINATION SHELF LOAD AND SHELF DEPTH (The figures refer to 1 shelf support)**



**Advantages/Benefits**

- ✓ Useful for both flat-pack and rigid furniture, this support is ideal for transport as it secures the shelf in position.
- ✓ Easy and quick installation.
- ✓ Adjustable in height, you can align it vertically with the slots.
- ✓ While placing the shelf in position, the supporting pins can be slid horizontally.
- ✓ When the shelf is partially inserted, the shelf angle can be adjusted front to back by turning the supporting pins with a 10mm open-ended wrench.
- ✓ A locking bolt will conserve your adjustments
- ✓ A bracket (sold separately) improve the load capacity; it distributes the shelf load on the wall through a Ø8mm pin.
- ✓ Made of zinc alloy and steel material.
- ✓ Exclusive to Richelieu.

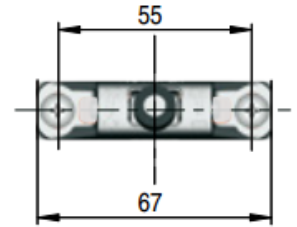
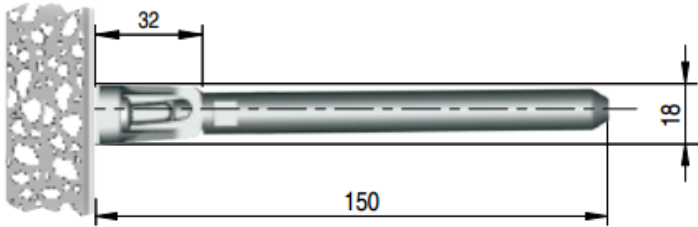
**! Important information**

- ✓ **It is strongly recommended to use the bracket in combination with the Triade Mini for shelves over 200mm deep.**

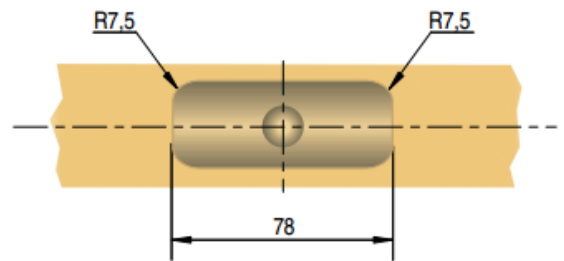
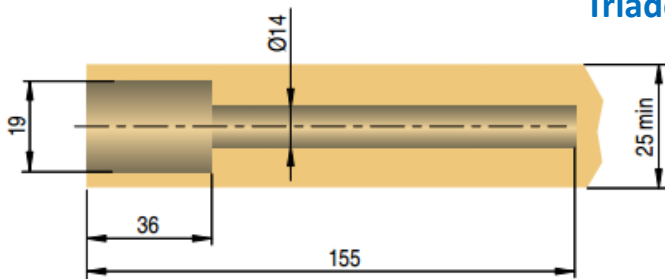
Product number	Description	Shelf Thickness	Finish
1621412G	Triade Mini Concealed Shelf Support	25mm	Nickel
111672G	Triade brackets support for Concrete Walls		
1622410	Triade Profile Support for Drywall Walls		
BP1622G	Hardware for Triade Profile Support		



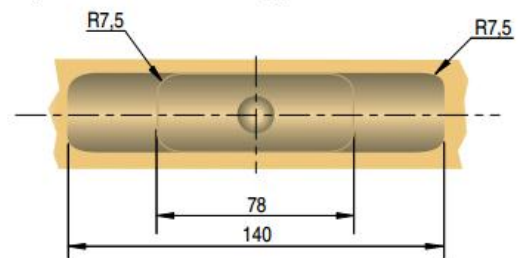
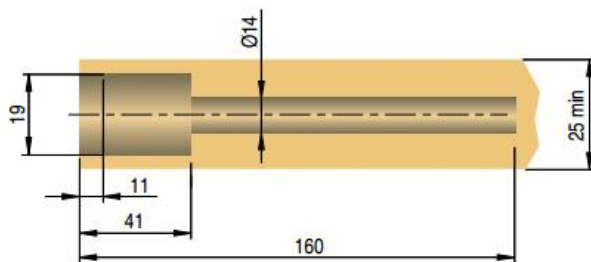
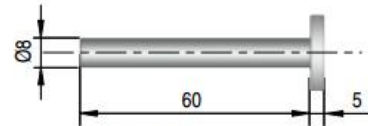
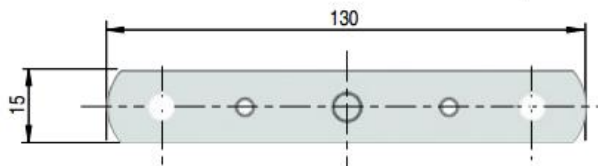
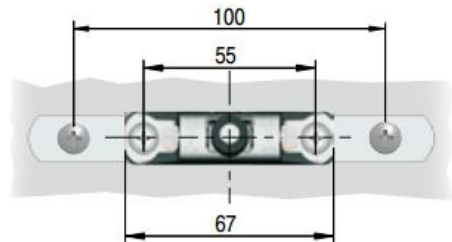
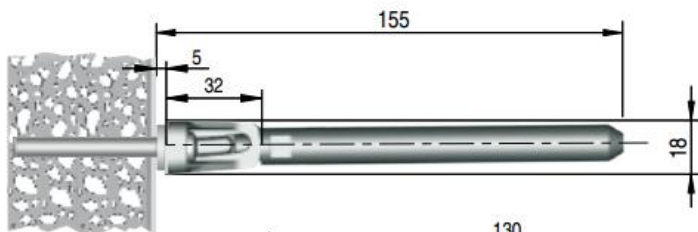
Technical drawings



Triade Mini



Triade Mini + bracket

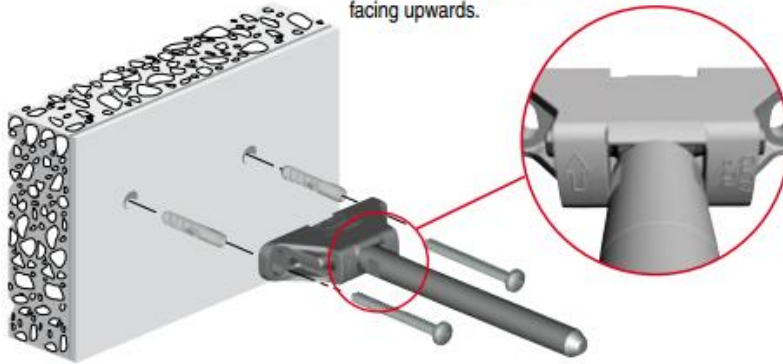


**!** Installation TRIADE MINI alone and TRIADE MINI with bracket

## FIXING TO CEMENT WALL

**VERY IMPORTANT**

Triade Mini has to be installed with the arrow facing upwards.



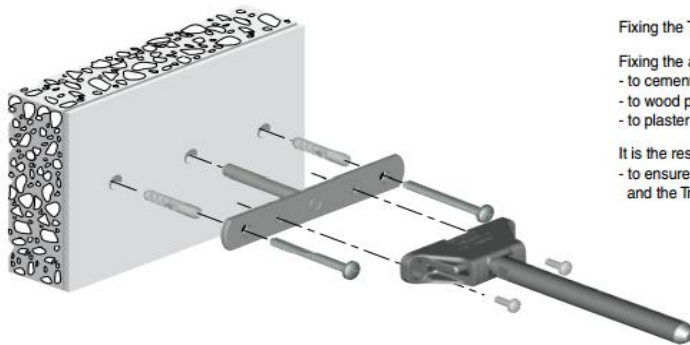
**Fixing:**

- to cement wall with rawplugs Ø 8mm & pan head screws Ø 5x50mm.
- to wood panels with pan head wood screws Ø 5mm.
- to plaster board with umbrella fittings Ø 8mm & pan head screws M4x46mm.

**It is the responsibility of the customer:**

- to ensure the wall is of a suitable quality to hold the shelf fixing in place.
- to use the proper hardware fittings according to the construction of the wall.

## FIXING TO CEMENT WALL



Fixing the Triade Mini onto the bracket with pan head screws M5x12mm.

**Fixing the assembled Triade Mini & Bracket:**

- to cement wall with rawplugs Ø 8mm & pan head screws Ø 5x50mm.
- to wood panels with pan head wood screws Ø 5mm.
- to plaster boards with umbrella fittings Ø 8mm & pan head screws M4x46mm.

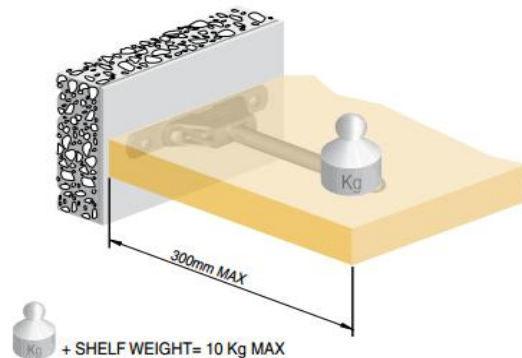
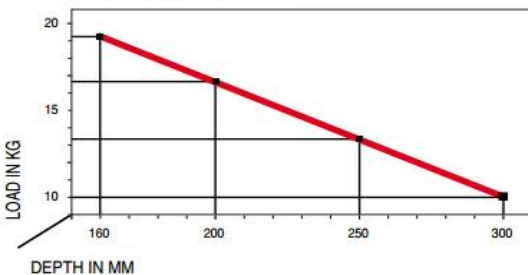
**It is the responsibility of the customer:**

- to ensure the wall is of a suitable quality to hold both the inserting of the bracket with pin and the Triade Mini in place.

**VERY IMPORTANT:** IT IS STRONGLY RECOMMENDED TO USE THE TRIADE MINI IN COMBINATION WITH THE RELATED WALL BRACKET, OTHERWISE ITALIANA FERRAMENTA WILL NOT BE HELD RESPONSIBLE FOR ANY FAILURE.

## COMBINATION SHELF LOAD AND SHELF DEPTH WITH BRACKET FOR TRIADE MINI (The figures refer to 1 shelf support)

**VERY IMPORTANT:** THE CAPACITY LOADING DATA STATED IN THE CHARTS REFER TO TRIADE MINI USED IN COMBINATION WITH THE RELATED WALL BRACKET.

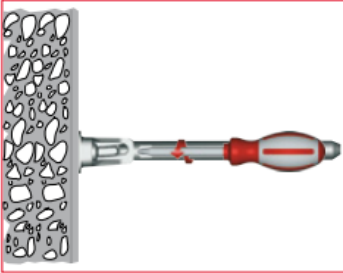




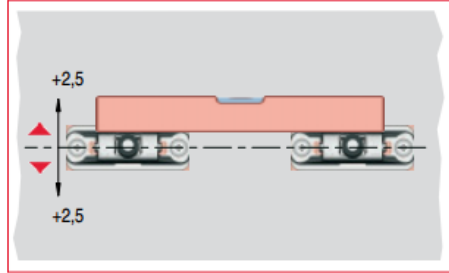
## Adjustments

### VERTICAL ADJUSTMENT

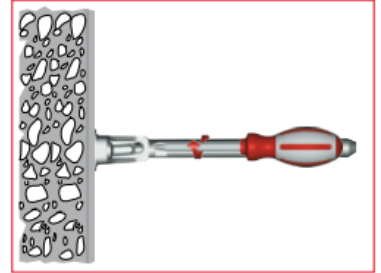
RELEASE THE FIXING SCREWS



ALIGN BRACKETS VERTICALLY ACCORDINGLY

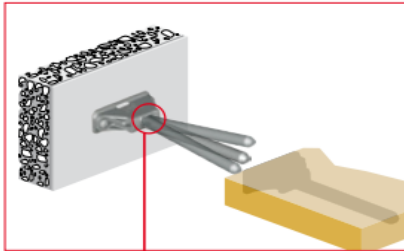


TIGHT THE FIXING SCREWS

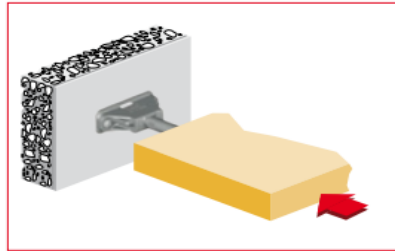


### SHELF INSERTING AND HORIZONTAL ADJUSTMENT

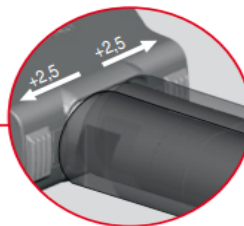
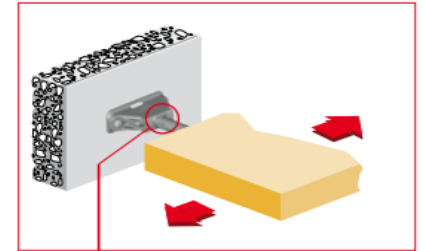
TILT THE SHELF TO MATCH BOTH SUPPORTING PINS AND SHELF HOUSINGS



INSERT PARTIALLY THE SHELF

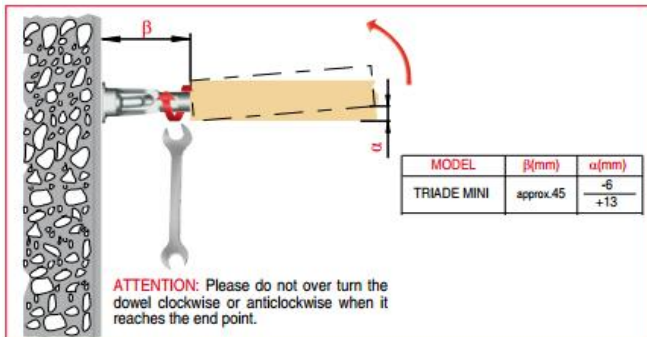


ADJUST THE SHELF HORIZONTALLY ACCORDING TO THE APPLICATION (i.e. MULTI-SHELF COMPOSITION)



### INCLINATION ADJUSTMENT

TURN CLOCKWISE THE SUPPORTING PIN WITH A 12mm OPEN-ENDED WRENCH TO ADJUST THE SHELF ANGLE FRONT TO BACK ACCORDINGLY



SCREW THE LOCKING BOLT TO BLOCK THE PIN

