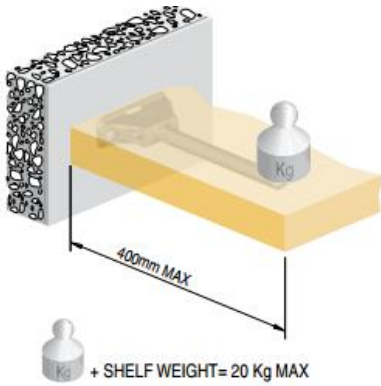
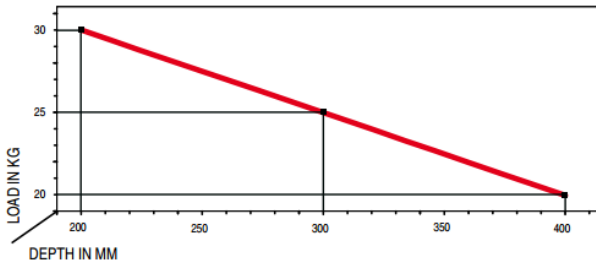


TRIADE MAXI Concealed Mounting Brackets



COMBINATION SHELF LOAD AND SHELF DEPTH (The figures refer to 1 shelf support)



TRIADE : the concealed way to support shelves of great thickness!
With three independent adjustments, you will be able to set your shelves the exact way you visualized them!



Advantages/Benefits

- ✓ Useful for both flat-pack and rigid furniture, this support is ideal for transport as it secures the shelf in position.
- ✓ Easy and quick installation.
- ✓ Adjustable in height, you can align it vertically with the slots (2,5mm).
- ✓ While placing the shelf in position, the supporting pins can be slid horizontally (2,5mm).
- ✓ When the shelf is partially inserted, the shelf angle can be adjusted front to back by turning the supporting pins with a 12mm open-ended wrench.
- ✓ A locking bolt will conserve your adjustments
- ✓ A bracket (sold separately) improve the load capacity; it distributes the shelf load on the wall through a Ø8mm pin.
- ✓ Made of zinc alloy and steel material.
- ✓ Exclusive to Richelieu.



Important information

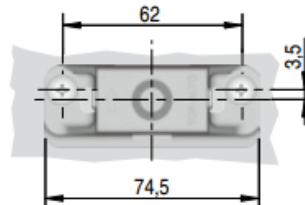
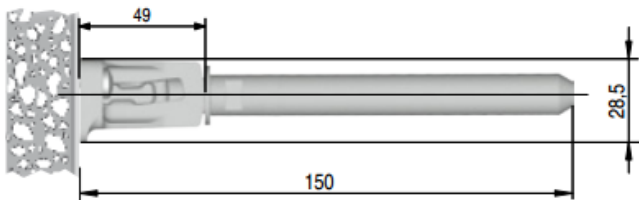
- ✓ **It is strongly recommended to use the bracket in combination with the Triade to improve the load rating.**

Product number	Description	Shelf Thickness	Finish
1621612G	TRIADE MAXI Concealed Shelf Support	Min. 40mm (Min. 1-9/16")	Nickel
11162G	Triade brackets support for concrete walls		
1622510	Triade Profile Support for Drywall Walls		
BP1622G	Hardware for Triade Profile		

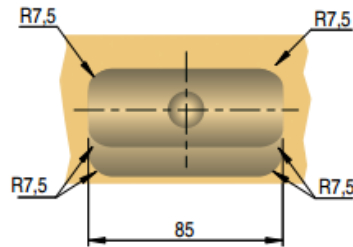
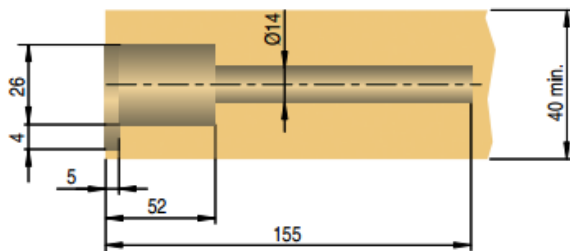


Technical drawings

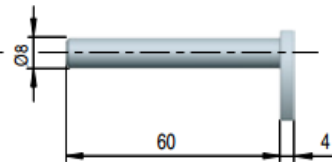
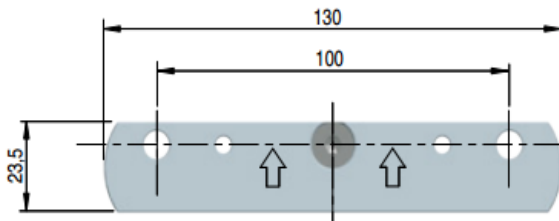
Triade Maxi



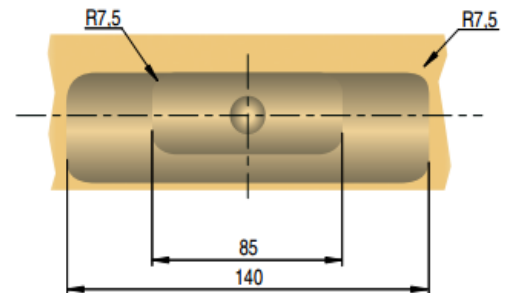
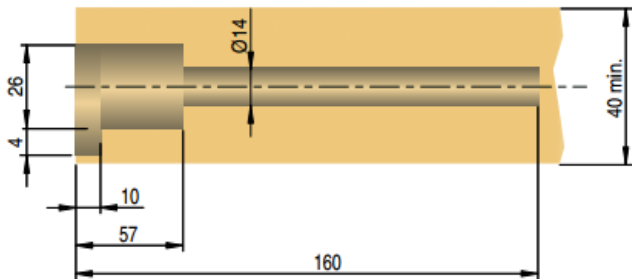
VERY IMPORTANT
Centre of the hole is shifted 3,5mm upwards.
Please keep in mind when levelling the shelf.



Bracket



DRILLING PLAN FOR TRIADE MAXI



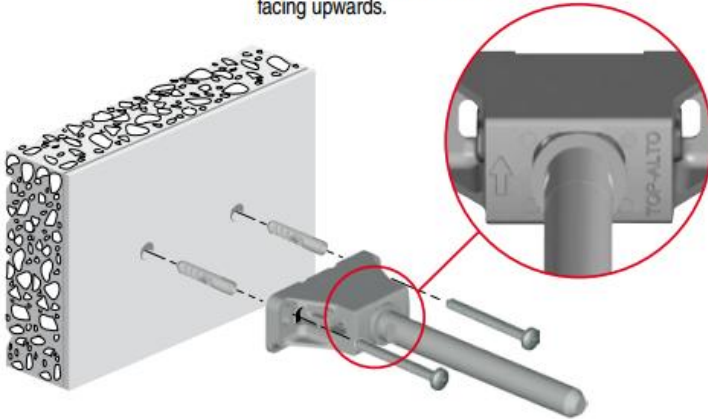


Installation TRIADE MAXI alone and TRIADE MAXI with bracket

FIXING TO CEMENT WALL

VERY IMPORTANT

Triade Maxi has to be installed with the arrow facing upwards.



Fixing:

- to cement wall with rawplugs Ø 8mm & pan head screws Ø 5x50mm.
- to wood panels with pan head wood screws Ø 5mm.
- to plaster board with umbrella fittings Ø 8mm & pan head screws M4x46mm.

It is the responsibility of the customer:

- to ensure the wall is of a suitable quality to hold the shelf fixing in place.
- to use the proper hardware fittings according to the construction of the wall.

FIXING TO WALL

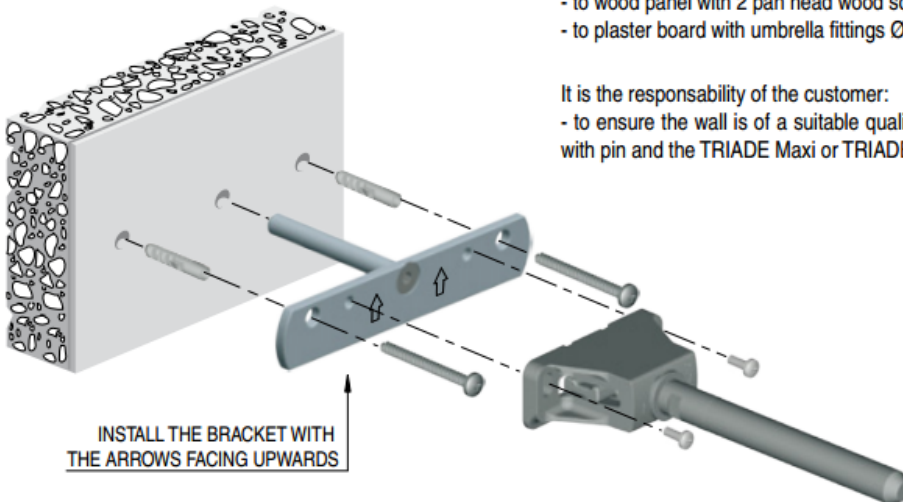
Fixing the TRIADE Maxi or TRIADE XXL onto the bracket with pan head screws M5x12mm.

Fixing the assembled TRIADE MAXI & bracket or TRIADE XXL & bracket:

- to cement wall with rawplugs Ø 8mm & pan head screws Ø 5x50mm.
- to wood panel with 2 pan head wood screws Ø 5mm.
- to plaster board with umbrella fittings Ø 8mm & pan head screws M4x46mm.

It is the responsibility of the customer:

- to ensure the wall is of a suitable quality to hold both the inserting of the bracket with pin and the TRIADE Maxi or TRIADE XXL in place.

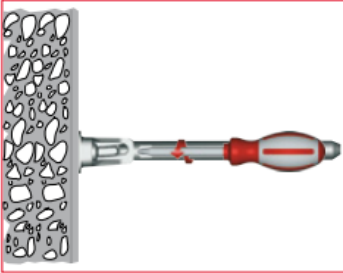




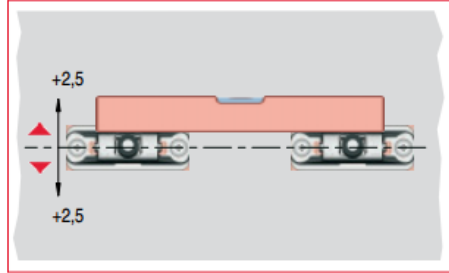
Adjustments

VERTICAL ADJUSTMENT

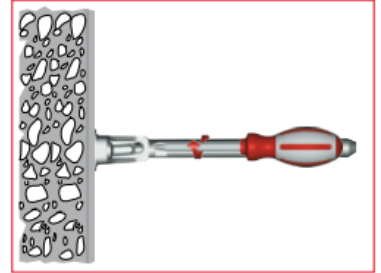
RELEASE THE FIXING SCREWS



ALIGN BRACKETS VERTICALLY ACCORDINGLY

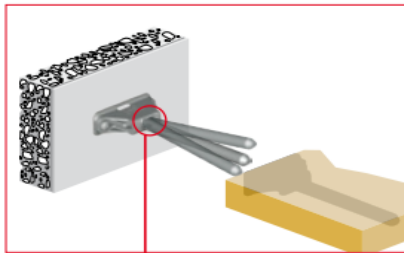


TIGHT THE FIXING SCREWS

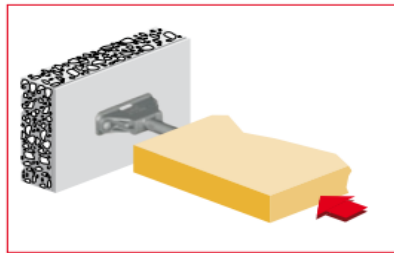


SHELF INSERTING AND HORIZONTAL ADJUSTMENT

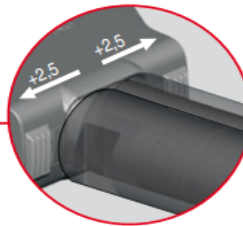
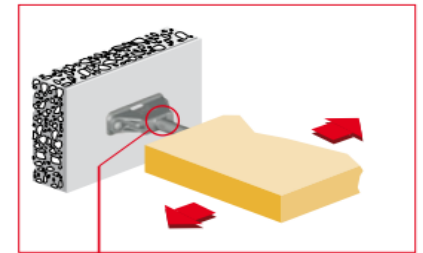
TILT THE SHELF TO MATCH BOTH SUPPORTING PINS AND SHELF HOUSINGS



INSERT PARTIALLY THE SHELF

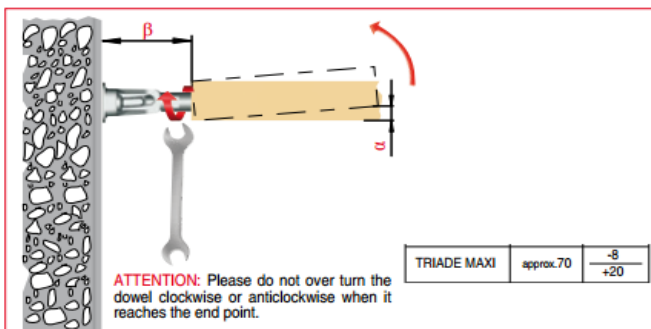


ADJUST THE SHELF HORIZONTALLY ACCORDING TO THE APPLICATION (i.e. MULTI-SHELF COMPOSITION)



INCLINATION ADJUSTMENT

TURN CLOCKWISE THE SUPPORTING PIN WITH A 12mm OPEN-ENDED WRENCH TO ADJUST THE SHELF ANGLE FRONT TO BACK ACCORDINGLY



SCREW THE LOCKING BOLT TO BLOCK THE PIN

