

Kimana is THE hinge you must use to open and close flap and drop-down doors



Advantages/Benefits

- ✓ Provided with a unique and exclusive movement, it allows to open cabinet doors in column, even when the cabinet bottom lies upon another panel or the cabinet top is surmounted by a decorative/lighting panel.
- ✓ The small dimensions (Ø 26mm boring for both the door and the bottom), the minimalistic and elegant design contribute to make KIMANA not only a functional hinge, but also a product unique in its genre.
- ✓ The fixing screws are perpendicular, thus making KIMANA suitable for perfect positioning, as well as for aluminum profiles
- ✓ KIMANA can be easily adjusted through the screws which are hidden underneath the cover.
- ✓ Various door and cabinet thickness-combinations can be solutioned either by carrying out the adjustments of the Kimana so that the ideal movement and alignment of the door are guaranteed (In-depth and lateral adjustments of 2mm).
- ✓ Exclusive to Richelieu.

Product number

11125180

Minimum Door Thickness

18mm (23/32")

Boring Ø

26mm (1")

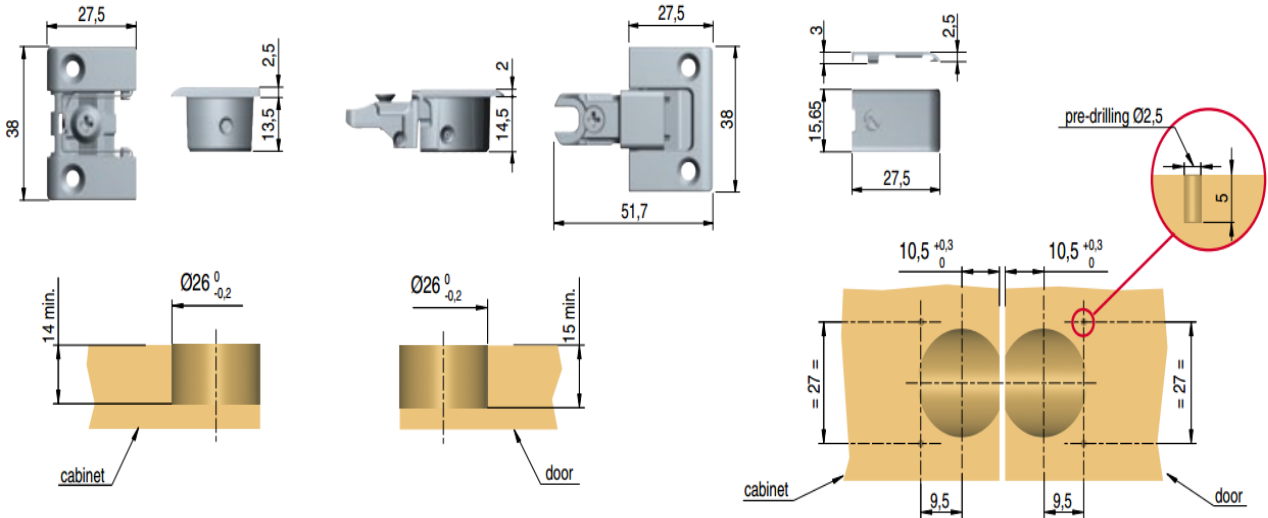
Finish

Nickel

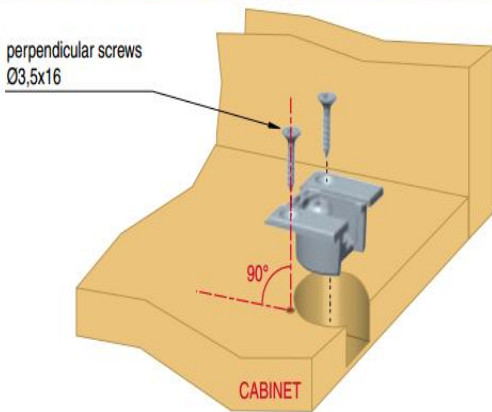


Technical drawings & Installation

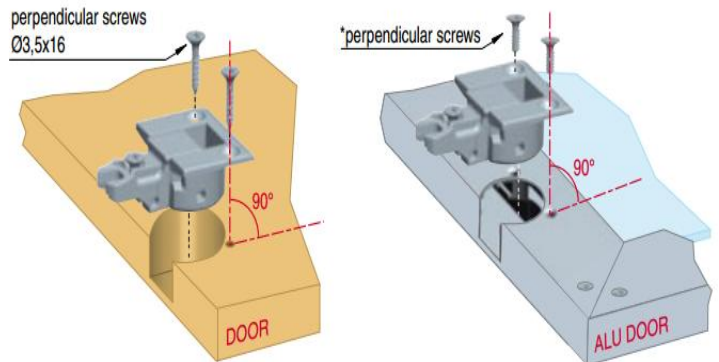
DRILLING PLAN



INSTALLATION ON THE CABINET (MINIMUM THICKNESS 18 MM)



INSTALLATION ON DOOR (MINIMUM THICKNESS 18 MM)

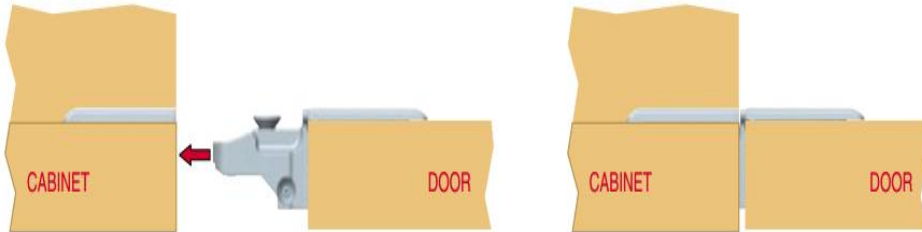


*to be selected according to alu profile section.

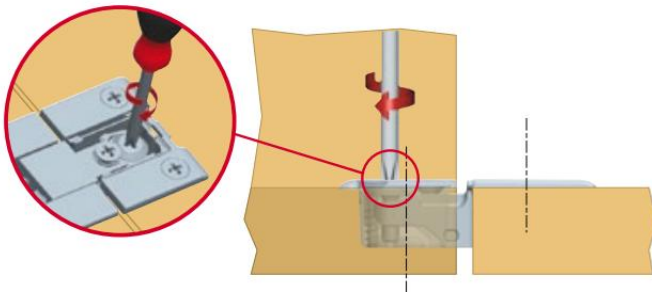


Installation

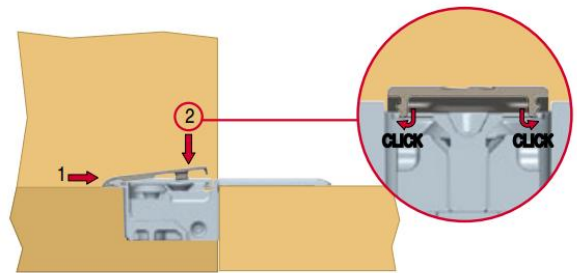
DOOR INSTALLATION



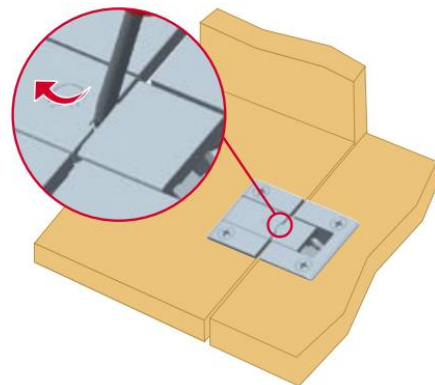
LOCKING



COVER CAP INSERTING



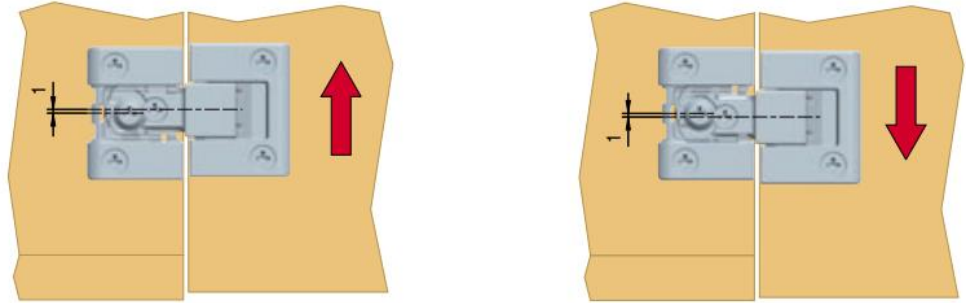
COVER CAP UNINSERTING



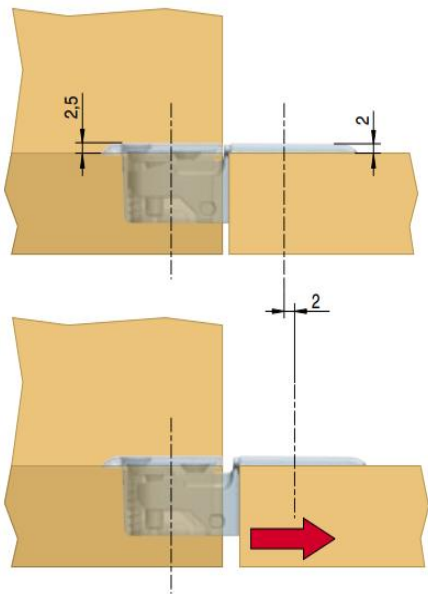


Adjustments

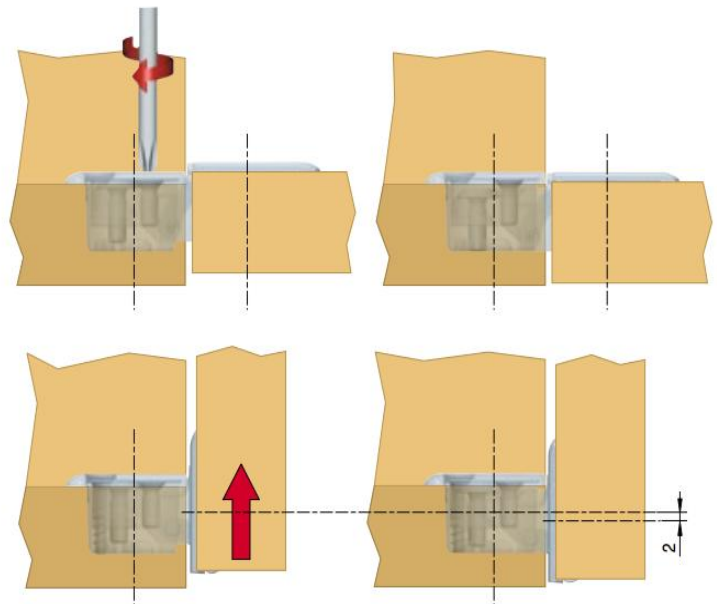
LATERAL ADJUSTMENT 0±1mm



IN-DEPTH ADJUSTMENT 0+2mm



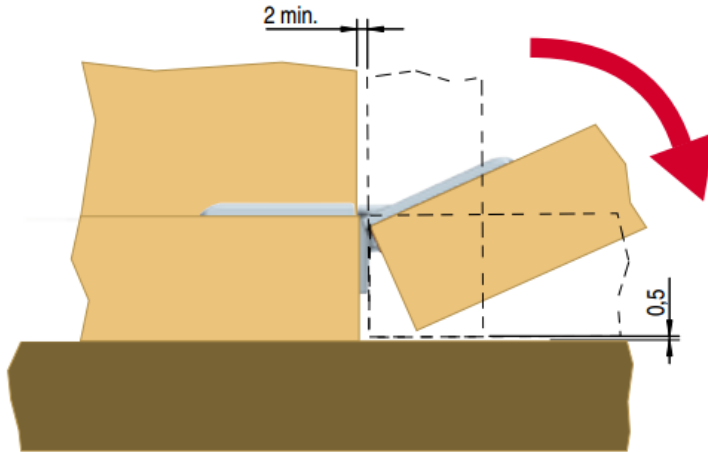
VERTICAL ADJUSTMENT 0+2mm





Application

CABINET PLACED ON A PLATFORM



A 0,5 mm gap between the door and the platform laying underneath doesn't interfere with the opening.

CABINET IN COLUMN

