

Be sure to read and understand all instructions before installation. For best results have installation completed by a qualified technician.

CAUTION: to reduce the risk of fire or electric shock:

Use only insulated staples or plastic ties to secure cords

Route the low voltage wire from the light so that they will not be damaged or pinched when the cabinet is installed (pushed to the wall)

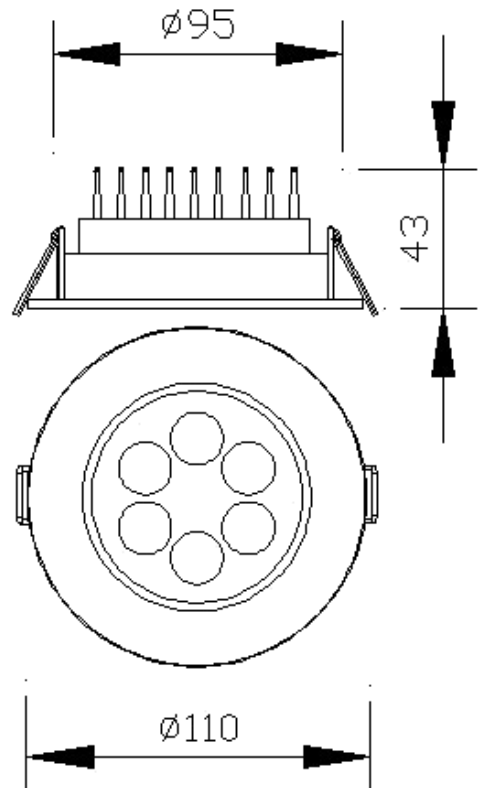
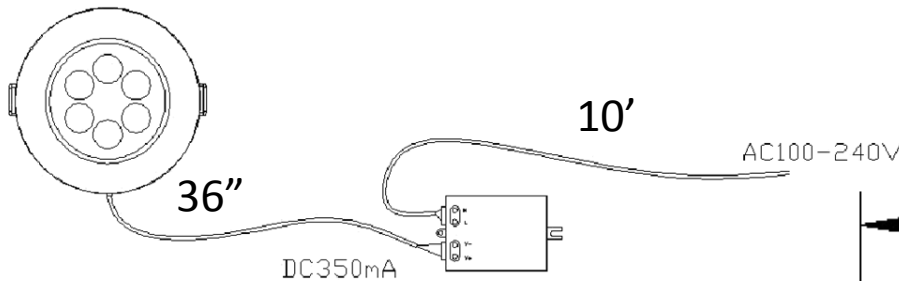
Not intended for recessed ceiling installation or soffits

Low voltage portable cabinet lights maybe installed in furniture or cabinets when:

The power supply is located outside cabinets and is not concealed (this does not apply to the wiring between the light and the power supply)

When the low voltage wire are not concealed or pass through the structure of the building (concealed behind the wall) where it may be inaccessible for examination or where damage to may go unnoticed.

Cords should be visible and examined regularly



Installation instructions:

- For best results, have lighting professionally installed by a qualified licensed Electrician
- Turn power off prior to installation
- Bore a hole 3-3/4" (95mm) minimum recess depth required 1.7" (43mm)
- Route the low voltage wiring through the hole
- Insert the light into the hole; fiction fit light will lock in place
- Plug the light's low voltage wiring into the INCLUDED LED power supply

WARNING: Always connect the LED light to the power supply first and then connect the power supply to the mains, failure to do so may cause damage to the existing diode.

There is no replacement bulb available for this light due to its life span average of 40,000 hours
Richelieu grants no warranty on LED lights if another power supply other than the one specifically prescribed for this product is used.

Do not exceed the maximum wattage by connecting more lights than prescribe damage to the power supply may result.

Do not cut or splice wiring or the lighting system may be damaged and manufacturer's warranty is voided.
The power supply has a polarized plug (one blade is wider than the other) as a safety feature to reduce the risk of electric shock. This plug will fit in a polarized outlet only one way. If the plug does not fit fully in the outlet, reverse the plug. If it still does not fit, contact a qualified technician. Never use an extension cord unless the plug can be fully inserted. Do not alter the plug.