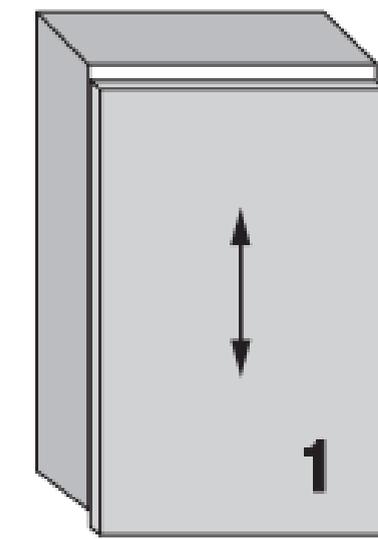
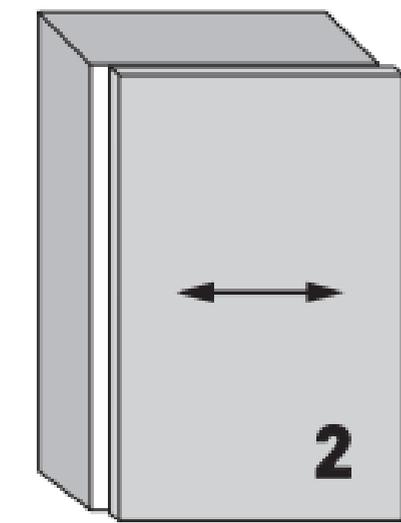


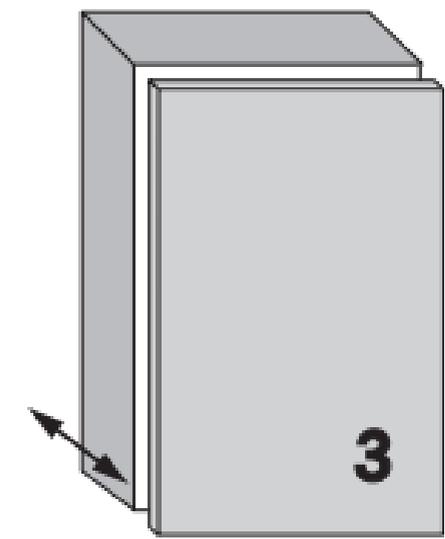
- Steel, nickel plated
- Depth adjustment via worm gear
- Height adjustment via worm gear or elongated hole
- Side adjustment via hinge
- Use a #2 Pozi drive screwdriver for hinge adjustment
- Attach baseplates using all available screw holes



Height adjustment via
base plate
Via worm gear ± 2 mm
Via elongated holes ± 2.5 mm



Side Adjustment
 ± 2 mm



Depth adjustment
 $+3/-2$ mm

All adjustment options can be made independently of one another.