

1. Description

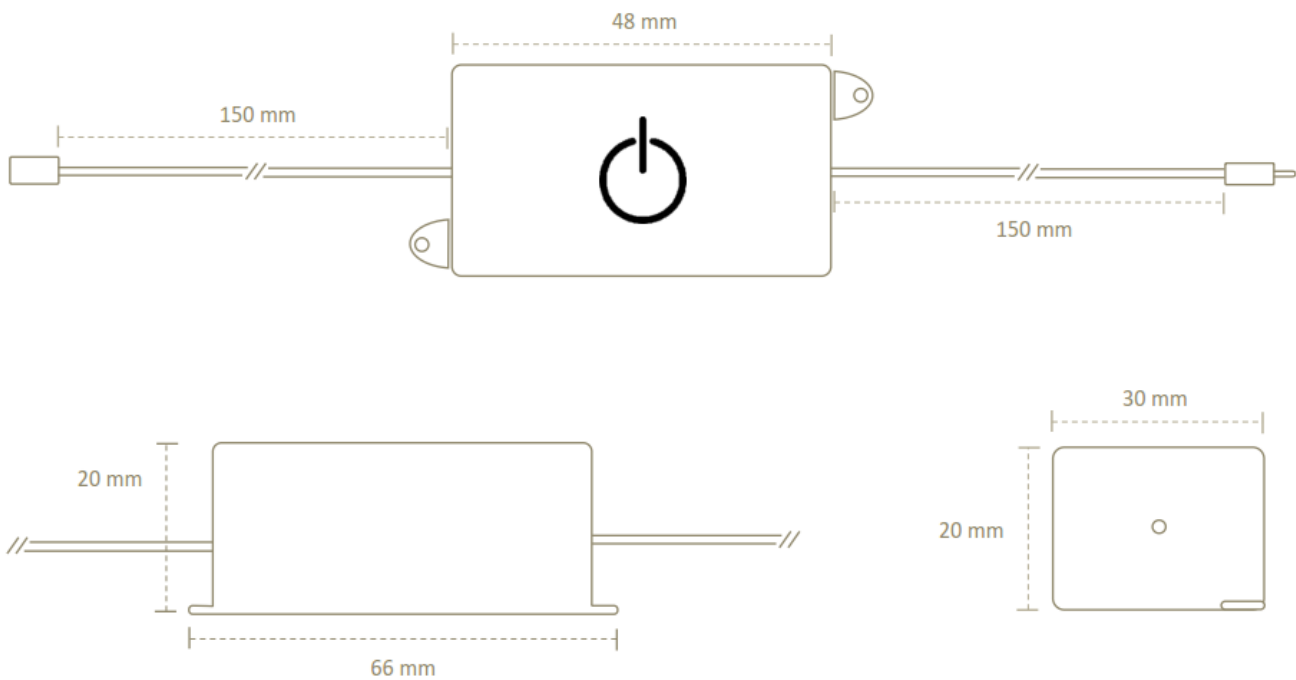
4 step dimmer switch, used for LED tape light.

2. How to use and 4 level in brightness

Touch : ON → 25% → 50% → 75% → 100% → OFF



3. Dimension



4. Installation

Surface mounted by foam tape

- 1) There is a foam tape on the back of 4 step dimmer switch.
- 2) Tear the paper of foam tape and put the 4 step dimmer switch on the surface.

Surface mounted by screw

- 1) There are screw ears on the two sides of 4 step dimmer switch.
- 2) Locate the 4 step dimmer switch on the correct position and screw on to fix it well.

5. Parameter

Dimension : 48mm(L.)*30mm(W.)*20mm(H.)

INPUT : 15CM WIRE + DC3.5*1.0 FEMALE JACK ; OUTPUT : 15CM WIRE + DC3.5*1.0 MALE JACK

Working wattage : 24V-48W(max.) / 12V-24W(max.)

Accessory : 1pc foam tape on the back of 4 step dimmer switch