



Pressure Reduced Gravity

The H2O-CPR gun comes equipped with both a pressure reduced air cap 23-2101 and an HVLP air cap 23-1301 for areas requiring HVLP compliance.

23-2101 - consumes 11 cfm at 29 psi gun inlet.

23-1301 - consumes 13.5 cfm at 29 psi gun inlet.

Both air caps can be used with the full range of fluid orifices listed below.

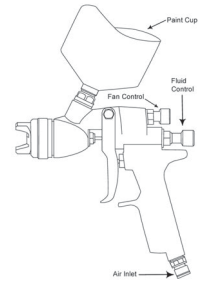
AIR CAPS, FLUID ORIFICES AND NEEDLES AVAILABLE FOR THE CPR-G SPRAY GUN

AIR CAPS	APPROXIMATE CFM	AVAILABLE FLUID NOZZLES TIPS	NEEDLES / marking on needle	INCLUDED IN CAT PACKS
23-2101 (Compliant) (0.8 mm - 1.7 mm)	11	33-0208 0.8mm (.022")	40-1308 (308)	CPR-G-W / CPR-G-W-PPS
		33-0210 1.0mm (.040")	40-1310 (310)	
		33-0212 1.2mm (.046")	40-1312 (312)	CPR-G-W / CPR-G-A / CPR-G-W-PPS / CPR-G-A-PPS
		33-0213 1.3mm (.052")	40-1313 (313)	
23-1301 (HVLP) (0.8 mm - 2.2 mm)	13.5	33-0214 1.4mm (.055")	40-1314 (314)	CPR-G-W / CPR-G-A / CPR-G-W-PPS / CPR-G-A-PPS
		33-0215 1.5mm (.059")	40-1315 (315)	
		33-0217 1.7mm (.070")	40-1317 (317)	CPR-G-W / CPR-G-A / CPR-G-W-PPS / CPR-G-A-PPS
		33-0219 1.9mm (.075")	40-1319 (319)	
		33-0222 2.2mm (.086")	40-1322 (322)	

Operation and Maintenance Instructions for Gravity Spray Guns

Operation

1. Connect air supply hose at handle of gun. 5/16" air hose x 25 ft. max. length is recommended. Also, only use CAT high flow quick disconnects and avoid using any restrictive fittings for the air supply to the gun.
2. Screw the paint cup onto the gun's gravity feed fluid inlet.
3. Fluid flow can be controlled using the fluid control knob, this restricts flow by limiting needle travel. It is best to control fluid flow by the proper selection of orifice size and use the fluid control knob to "fine tune flow rate".
4. Fan width can be adjusted using the fan control knob. Turning the knob clockwise narrows the fan.



Maintenance

IMPORTANT! Routine cleaning and maintenance is essential to insure proper gun operation. Several states prohibit spraying solvent into the atmosphere and require the use of covered gun cleaner.

1. If a gun cleaner is being used, connect and clean the gun in the gun cleaner according to the manufactures instructions.
2. If a gun cleaner is not being used:
 - Remove air cap and clean separately using clean solvent.
 - Clean the gravity feed cup thoroughly, then spray clean solvent through the gun until clean.

NOTE: Gun disassembly is not recommended for normal cleaning and maintenance.

Gun disassembly and reassembly instructions:

Have repair kit # 10-105 available before gun disassembly.

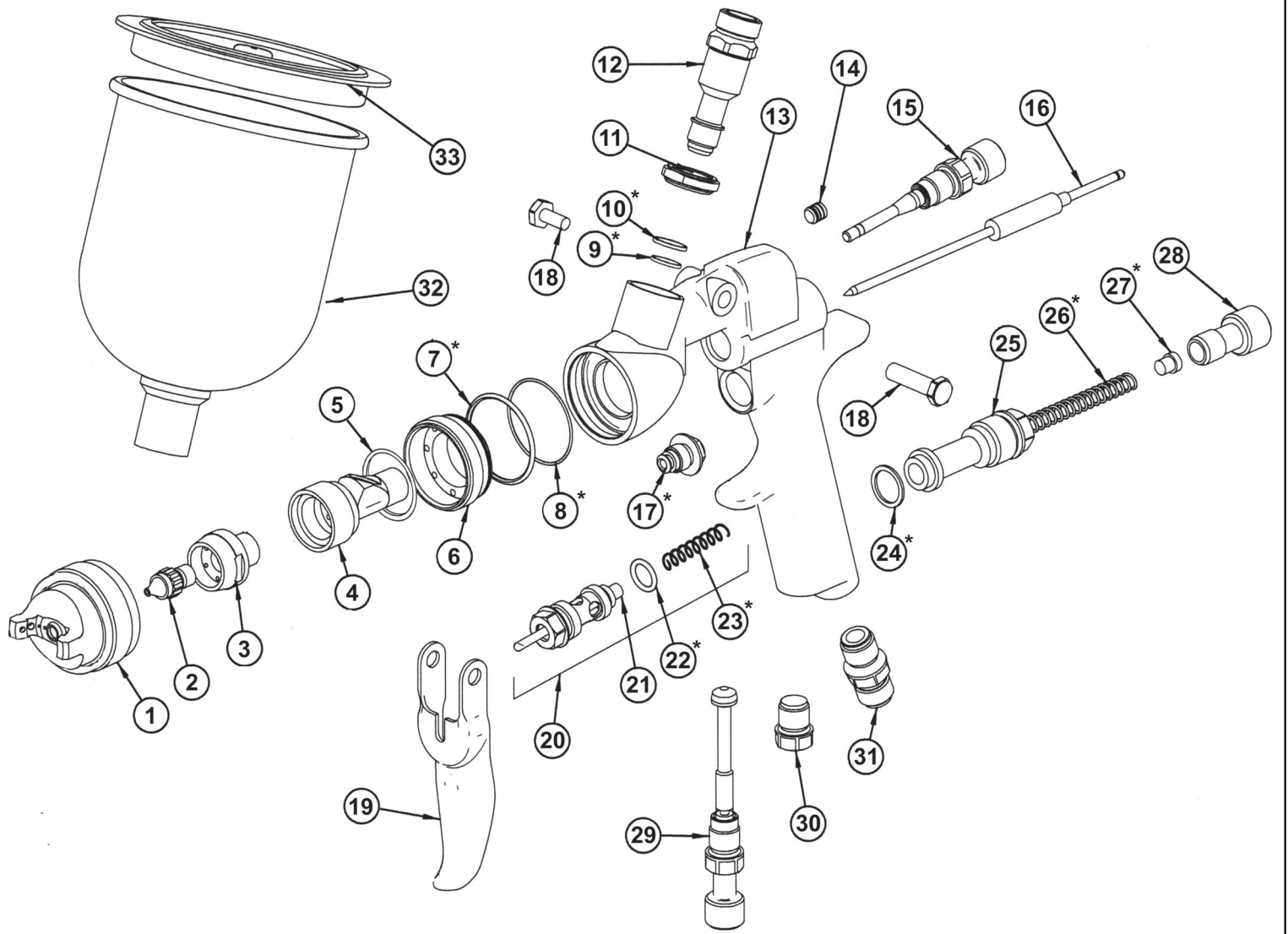
Disassembly

To remove nozzle carrier (4) and air cap adapter (6):

1. Remove the air cap (1), fluid tip (2), fluid nozzle body (3) and needle (16).
2. Remove needle seal cartridge (17).
3. Loosen locknut (11) and remove fluid inlet (12).
4. The fluid nozzle carrier (4) and air cap adapter (6) will now slide forward from the gun handle (13).

Reassembly

1. Install new o-rings (8) and (7) on the air cap adapter (6).
2. Install air cap adapter (6) into gun body (13).
3. Install the locknut (11) and seal (10) onto the fluid inlet (12) as far as possible.
4. Install a new fluid inlet seal (9) into the recessed area on the nozzle carrier (4) inlet port.
5. Install seal (5) onto nozzle carrier, then slide the nozzle carrier (4) into the air cap adapter (6) as far as possible. Be sure the nozzle carrier extends into the hole at the back of the gun head. Install the needle seal cartridge (17) but do not tighten.
6. Rotate the nozzle carrier (4) until the fluid inlet port in the nozzle carrier is aligned with the threaded hole in the gun body (13). While in this position, insert the fluid inlet (12) and tighten firmly.
7. Tighten needle seal (17) to approx. 12 ft-lbs torque.
8. Tighten fluid inlet (12) to approx. 25 ft-lbs torque.
9. Tighten locknut (11) to approx. 33 ft-lbs torque.



ITEM NO.	PART NO.	DESCRIPTION	ITEM NO.	PART NO.	DESCRIPTION
1	See Air Cap Chart	Air Cap	18	60-1033	Trigger Pivot Screws
2	See Air Cap Chart	Fluid Tip	19	60-2101	Trigger
3	33-1202	Fluid Nozzle Body	20	60-1520	Air Valve Assembly
4	60-J31H	Nozzle Carrier	21	60-302	Air Valve Poppet
5	60-123	Seal	22	60-125	Seal*
6	60-34H	Air Cap Adapter	23	61-1003	Air Valve Spring*
7	98-8026	O-Ring*	24	60-119	Seal*
8	60-131	O-Ring*	25	60-201	Rear Bushing
9	60-130	Seal*	26	60-204	Needle Return Spring*
10	60-124	Fluid Inlet Seal*	27	60-205	Spring Seat*
11	60-118	Locknut	28	60-202	Fluid Control Knob
12	60-127	Fluid Inlet	29	60-1510	Inlet Air Control (Optional)
13	60-1119-CPR	Gun body	30	60-122	Plug
14	98-0109	Allen Plug	31	60-104	Air Inlet Fitting
15	60-1504	Fan Control Assembly	32	-	Gravity Cup (See Page 4)
16	See Air Cap Chart	Fluid Needle	33	-	Gravity Cup Lid (See Page 4)
17	60-1400	Needle Seal Cartridge*			

*Indicates part included in repair kit # 10-105

FLUID NOZZLE / AIR CAP SELECTION CHARTS

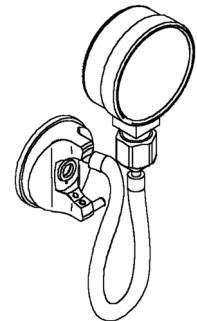
CPR-G - Gravity Feed Spray Guns

MATERIAL TYPE	FLUID ORIFICE x AIR CAP	MAXIMUM PATTERN WIDTH	CFM
Very Thin less than 16 sec. Zahn #2 inks , dyes, solvents, stains	0.8 mm x 2101 or 1301 1.0 mm x 2101 or 1301	23-2101 13" 23-1301 12"	23-2101 11 cfm 23-1301 13.5 cfm
Thin 16 to 20 sec. Zahn #2 lacquers, enamels, primers, sealers	1.2 mm x 2101 or 1301 1.3 mm x 2101 or 1301	23-2101 13" 23-1301 12"	23-2101 11 cfm 23-1301 13.5 cfm
Medium 21 to 30 sec. Zahn #2 automotive base coat enamels, primers epoxies, urethanes automotive clear coat	1.3 mm x 2101 or 1301 1.4 mm x 2101 or 1301 1.5 mm x 2101 or 1301	23-2101 13" 23-1301 12"	23-2101 11 cfm 23-1301 13.5 cfm
Heavy over 30 sec. Zahn #2 heavy body primers high solid enamels high solid automotive coatings adhesives	1.7 mm x 2101 or 1301 1.9 mm x 1301 2.2 mm x 1301	23-2101 13" 23-1301 12"	23-2101 11 cfm 23-1301 13.5 cfm



CPR-G Includes:

- 51-401 750cc Aluminum Gravity Cup
 - 51-418 Gravity Cup Lid
 - 52-300 Mini Regulator
 - 98-0104 3/8" Socket
 - 98-0112 Ratchet Wrench
 - 60-8001 Gun Wrench
 - 98-0113 Gun Cleaning Brush
 - 51-430 Gravity Gun Hook
- Air Caps and Needles shown on Page 1



HVLP Test Gage
 P/N 23-1301-G
 (not included in cat packs)



CPR-G-PPS Includes:

- 91-465 One Quart Cup and Collar
 - 91-466 Lids and Liners (Available in 50 Pack P/N 91-466-50)
 - 52-300 Mini Gun Regulator
 - 60-8001 Gun Wrench
 - 98-0113 Gun Cleaning Brush
 - 98-0104 3/8" Socket
 - 98-0112 Ratchet Wrench
 - 91-474 #2 Adapter
- Air Caps and Needles shown on Page 1