



Be sure to read and understand all instructions before installation. For best results have installation completed by a qualified technician.

CAUTION: to reduce the risk of fire or electric shock:
Use only insulated staples or plastic ties to secure cords
Not intended for wall, recessed ceiling installation or soffits
Cords should be visible and examined regularly

WARNING: Always connect the LED light to the power supply first and then connect the power supply to the mains, failure to do so may cause damage to the existing diode.

ITEM NUMBER **110122010 OR 110124010**

Step 1: Turn power off prior to installation

Step 2: Unscrew the u-shaped mounting bracket from the back of the unit

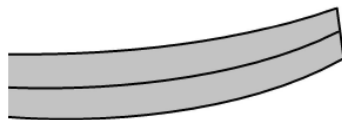
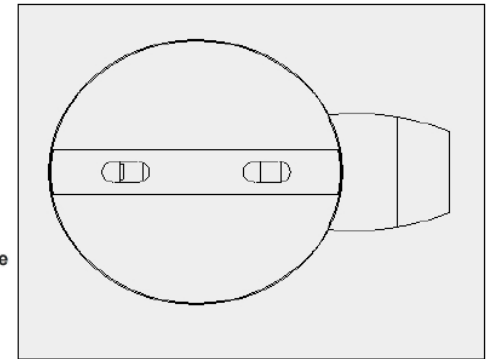
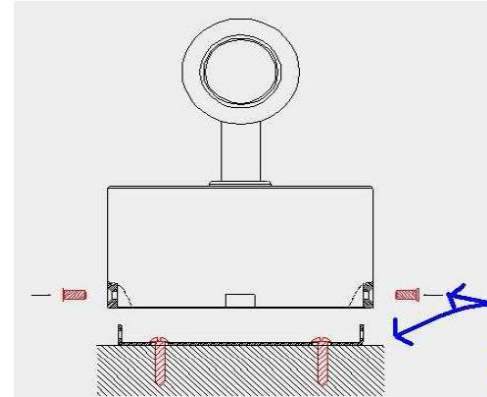
Step 3: Drill your hole for your 8' long power cord to pass through the cabinet or headboard

Step 4: affix the bracket to the cabinet or headboard with the included screws

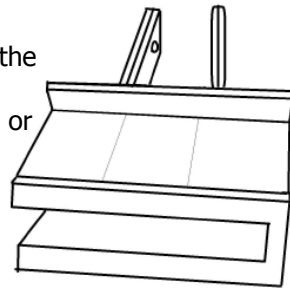
Step 5: screw the light back to the u-shaped mounting bracket

Step 6: After you have passed your power cord through the hole connect the detached plug (included)

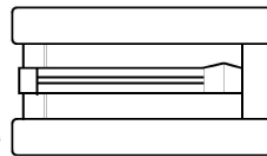
Step 7: plug your unit in, return power to the mains and turn on your light to a touch of elegance & functionality to any headboard or other location



Insert the cord of open cable into the detachable plug base, ensure to press the cable tightly for fastening purpose.



↑ the cover for the detachable base

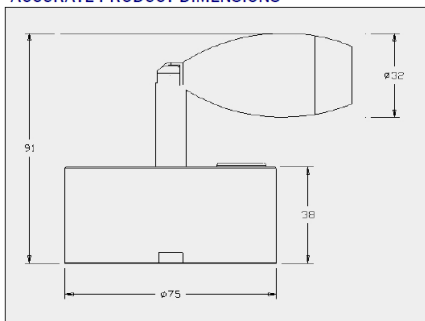


Afterwards, cover up the top on the detachable plug, it is complete.

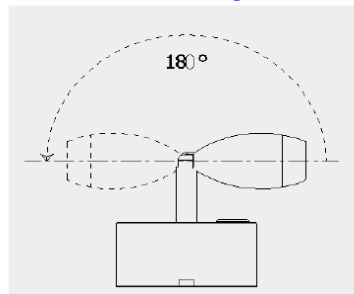
*There is no replacement bulb available for this light due to its life span average of 50, 000 hours
Richelieu grants no warranty on LED lights if the product is altered in anyway*

*Do not cut or splice wiring or the lighting system may be damaged and manufacturer's warranty is voided.
The included power supply has a polarized plug (one blade is wider than the other) as a safety feature to reduce the risk of electric shock. This plug will fit in a polarized outlet only one way. If the plug does not fit fully in the outlet, reverse the plug. If it still does not fit, contact a qualified technician. Never use an extension cord unless the plug can be fully inserted. Do not alter the plug.*

ACCURATE PRODUCT DIMENSIONS



With vertical 180 degree rotation



with horizontal 270 degree rotation

