



Folding, height-adjustable cabinet leveler designed to allow quick base cabinet installation.



## Advantages and Benefits

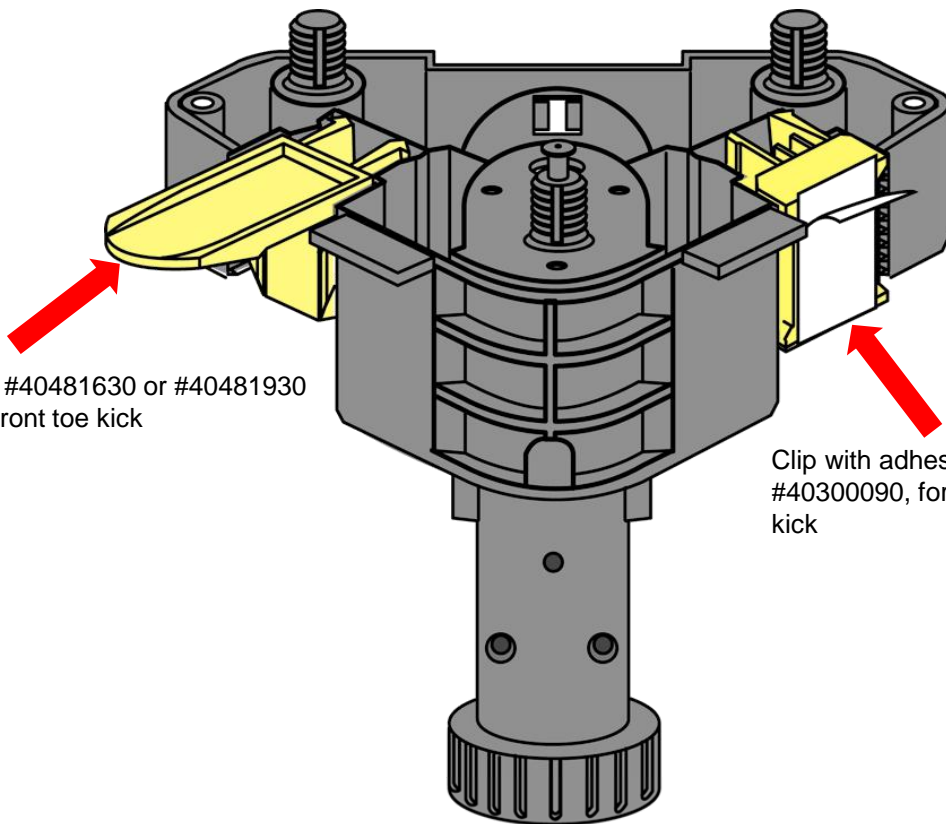
- ✓ Comes pre-assembled, only needing to be attached to your cabinet. Once in place, unfold it for the final installation.
- ✓ Made entirely from recycled material.
- ✓ Perfect for base cabinets in kitchens or bathrooms.
- ✓ Strong structure (LGA tested) supports up to 150 kg (330 lb) per leg.
- ✓ Two triangular heads available: screw-in or with 10 mm Ø dowels.
- ✓ Screw-in head does not require pre-drilling.
- ✓ Leveler is compatible with 100 mm (3-15/16") to 150 mm (5-7/8") heights.
- ✓ With adjustment of -10 mm and +40 mm, leveler can reach a height between 90 mm (3-1/2") and 140 mm (5-1/2") when used in a 100 mm application. In a 150 mm (5-7/8") application, the height can be adjusted from 140 mm (5-1/2") to 190 mm (7-1/2").
- ✓ Height adjustment can be made by hand, with a screwdriver on the foot base, or with a screwdriver inside the cabinet.
- ✓ Toe kick panel clips directly to the leveler head.
- ✓ Clips sold separately.



A single leveler for heights from 90 mm (3-1/2") to 190 mm (7-1/2")!

Product Number	Description
40027190	Screw-in folding leveler, 90 mm to 190 mm, black
40027290	Dowel folding leveler, 90 mm to 190 mm, black
40481630	White clip for 16 mm front toe kick
40481930	White clip for 19 mm front toe kick
40300090	Adhesive clip for side toe kick

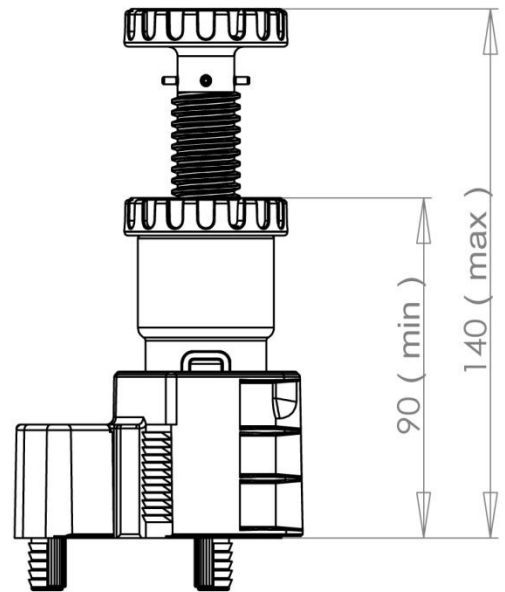
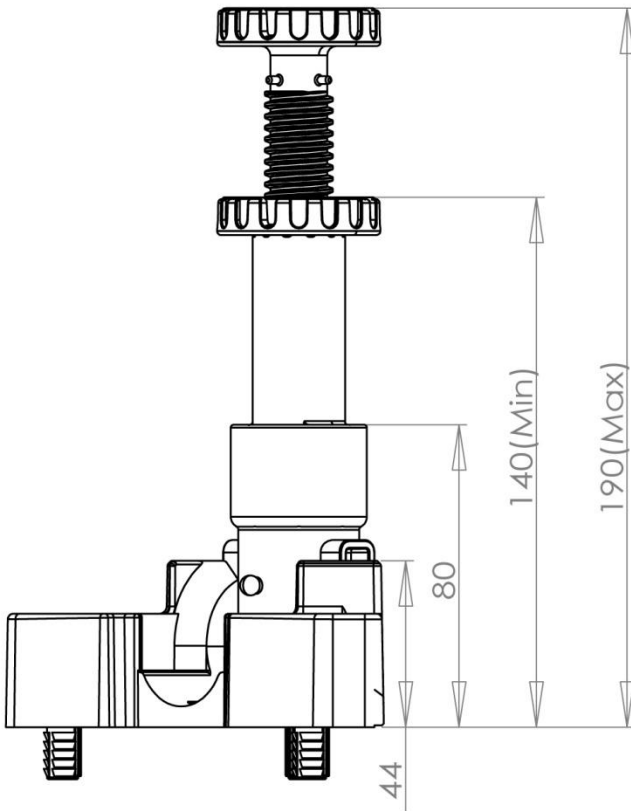
### Leveler with Dowels Model #40027290



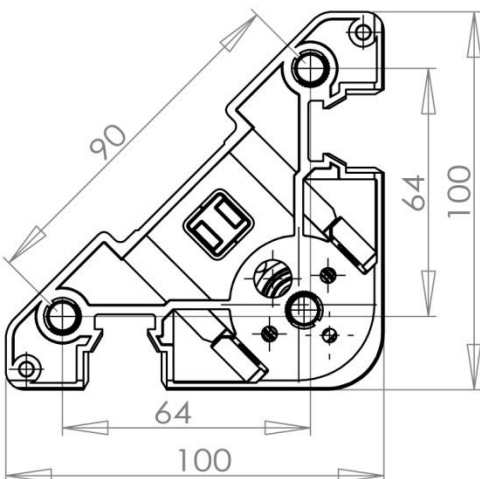
Pressure clip #40481630 or #40481930  
for installing front toe kick

Clip with adhesive plate,  
#40300090, for installing side toe  
kick

### Leveler with Dowels Model #40027290 Technical Drawing

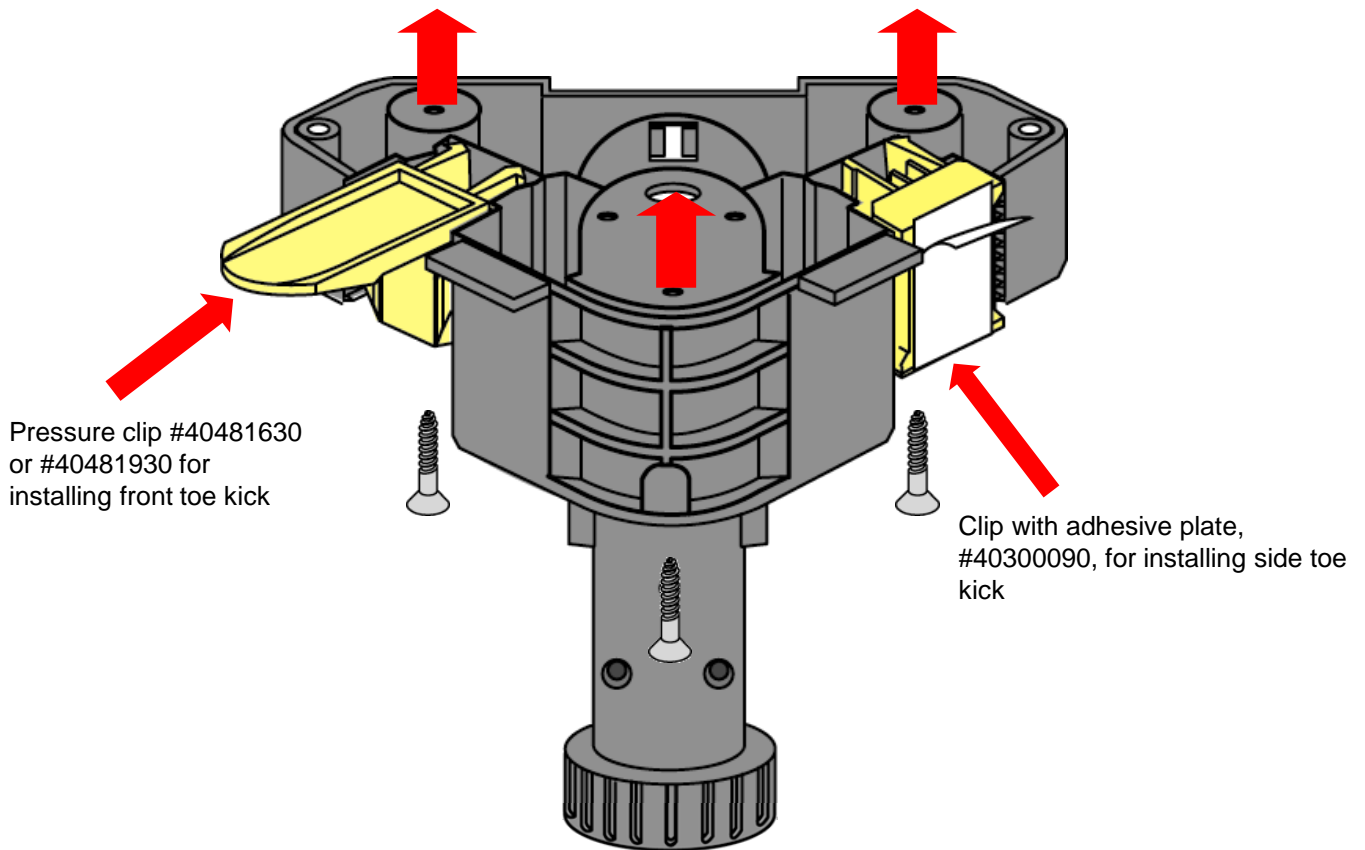


Requires 10mm dia by 12mm deep holes



Dowels are 21mm o/c from outside edges of the 90 degree edge of the leg body.

### Screw-in Leveler Model #40027190



## Screw-in Leveler Model #40027190 Technical Drawing

