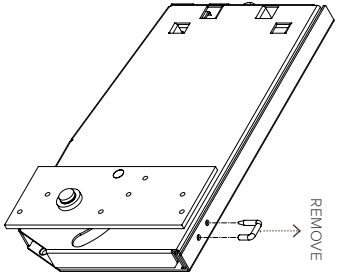
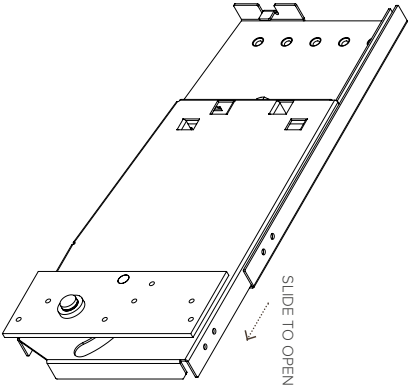


USER MANUAL
MECHANISM FOR FOLDWAY BED
Single • Double • Queen

Revision date: 01/10/2024

ASSEMBLY STEPS

- 

1. Unlock the mechanism.
- 

2. Open the mechanism.



SAFETY INFORMATION

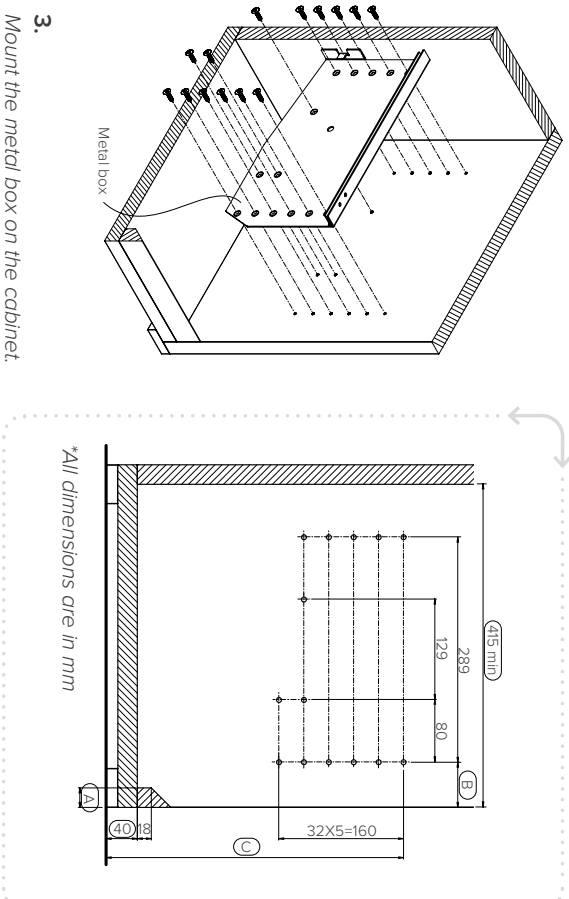
1. Be careful: the cabinet must be always fixed to the wall before starting to mount the mechanism.
 2. The screws to fix the mechanism to the furniture are not provided.
 3. The user is responsible to use the proper screws.
- It is mandatory to use all the 14 screws showed above to fix the metal boxes.



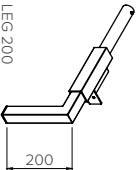
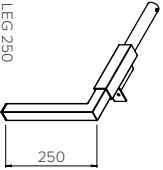
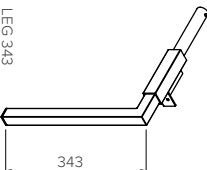
WARRANTY

To make the mechanism work and to ensure the warranty of the product, circled dimensions must be respected.

ASSEMBLY STEPS

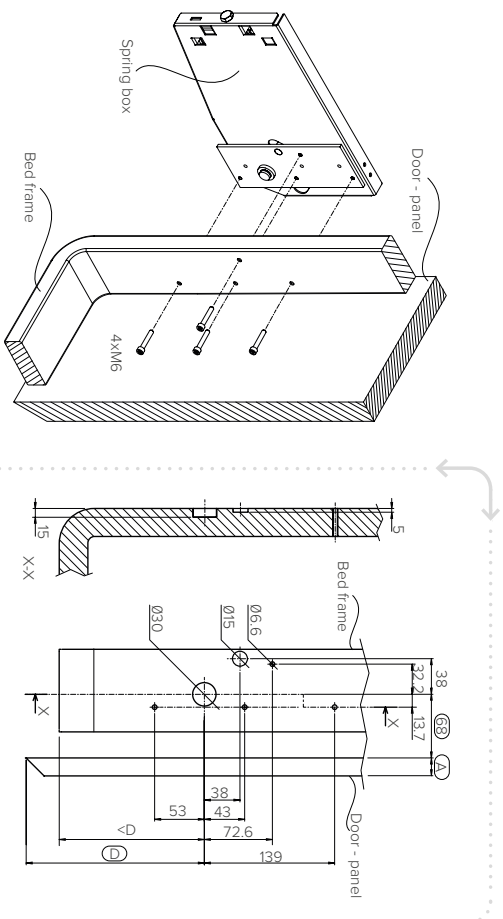
- 

3. Mount the metal box on the cabinet.

															
A	16	19	22	25	25	16	19	22	25	25	16	19	22	25	
B	49	52	55	58	58	49	52	55	58	58	49	52	55	58	
C	382	382	382	382	382	432	432	432	432	432	525	525	525	525	

*All dimensions are in mm

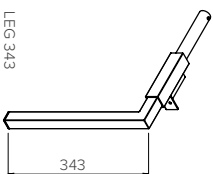
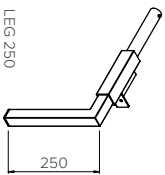
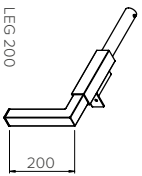
ASSEMBLY STEPS



4. Mount the spring box on the bed frame.

A	16	19	22	25	16	19	22	25	16	19	22	25
D	190	190	190	190	240	240	240	240	333	333	333	333

*All dimensions are in mm



ASSEMBLY STEPS



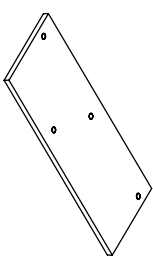
WARRANTY

To make the mechanism work and to ensure the warranty of the product, (circled dimensions) must be respected.

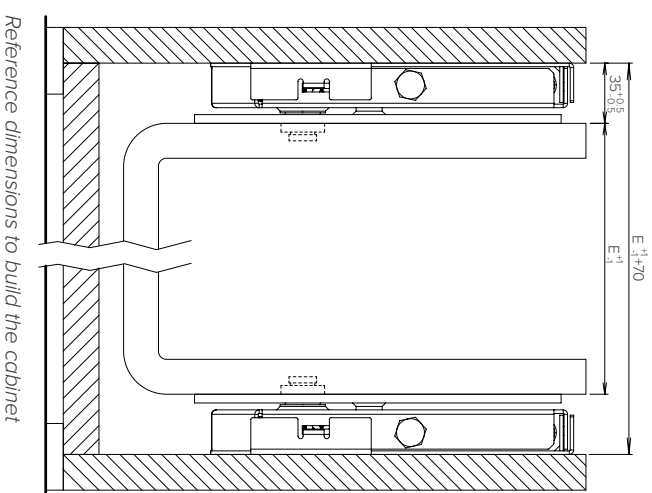


SAFETY INFORMATION

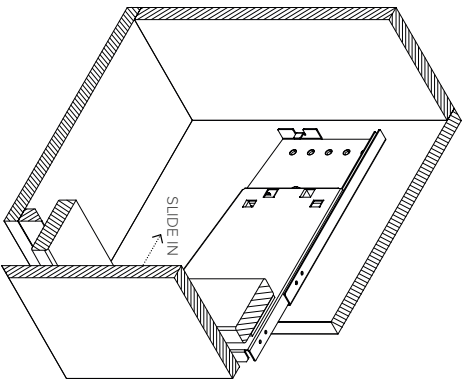
If door/panel thickness is less than 22mm, it is strongly recommended to use our plate to strengthen your wooden box.



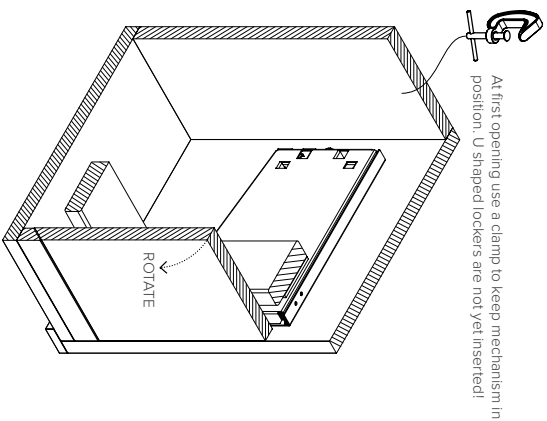
TO CALCULATE THE INTERNAL WIDTH OF THE CABINET



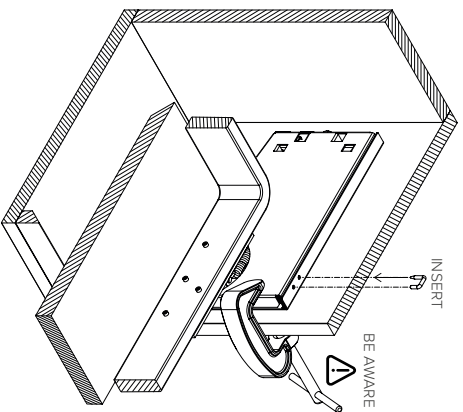
ASSEMBLY STEPS



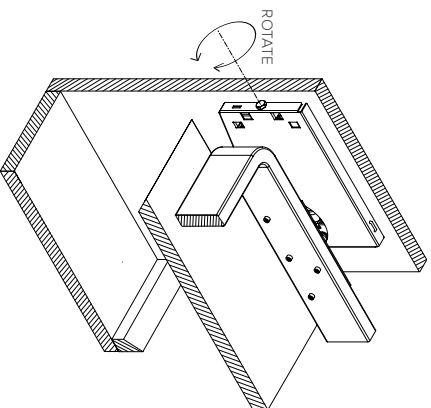
5. Slide spring box into metal box.



6. Rotate the mechanism in horizontal position.



7. Lock the two parts of the box.



8. Rotate the bolt on the box's back to regulate the springs tension.

ASSEMBLY STEPS



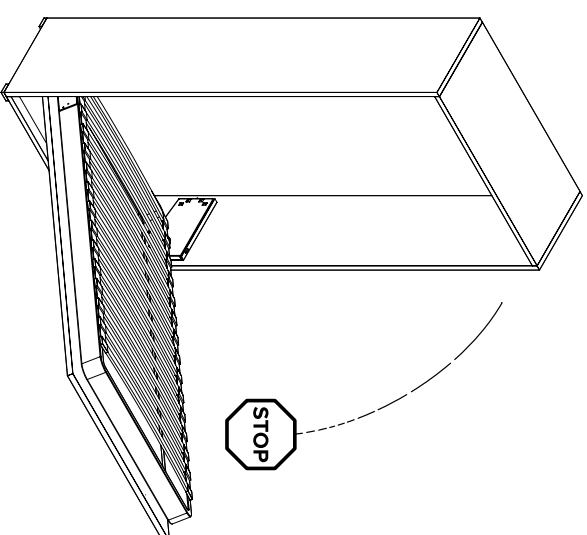
BE AWARE
Before having mounted the feet, the bed frame must not be rotated more than 90°.



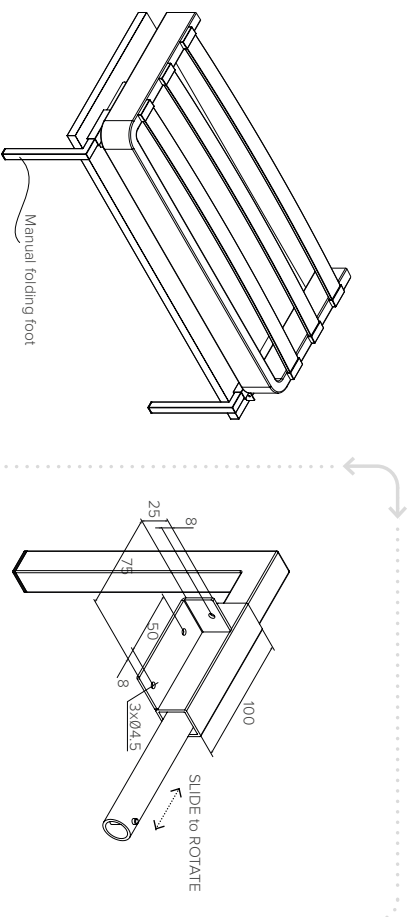
BE AWARE
1. Springs tension is correctly set when bed stops in each position the user leaves it.
2. Springs of both left and right mechanisms should be evenly tensioned: apply the same turns on left and right bolts.
3. Do not remove the screw completely.



BE AWARE
Mechanism is certified to support a maximum of 105kg. With this weight the mechanism stops the bed door before it touches the ground if dropped from closed position.

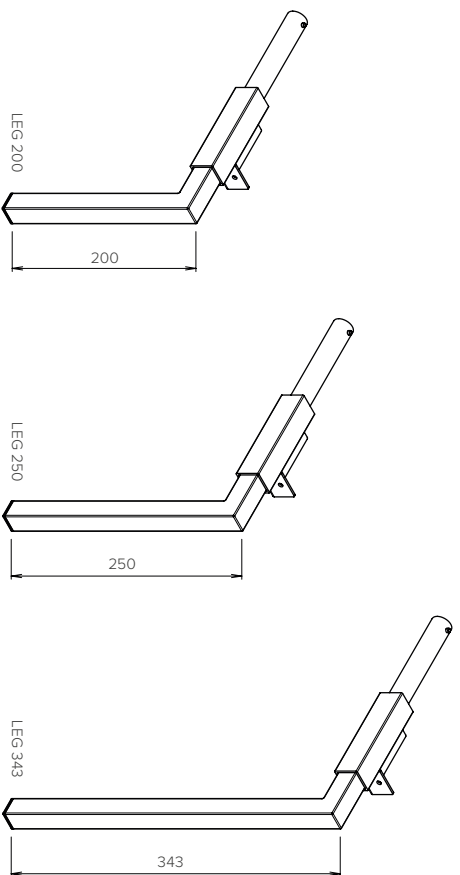


ASSEMBLY STEPS

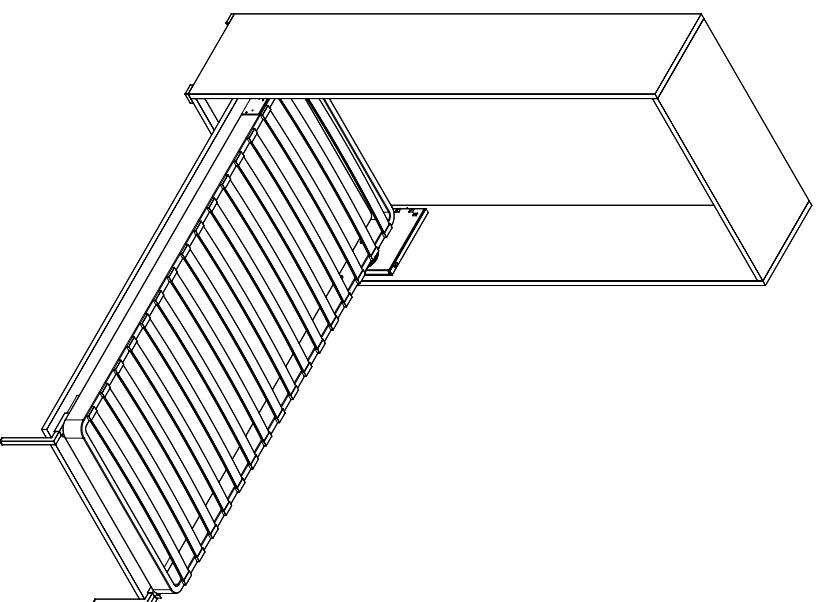


9. Fix the manual folding feet to the cabinet door:

FEET TYPES



ASSEMBLY - FINAL RESULT

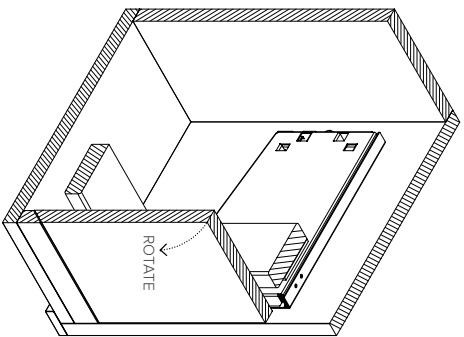


BE AWARE

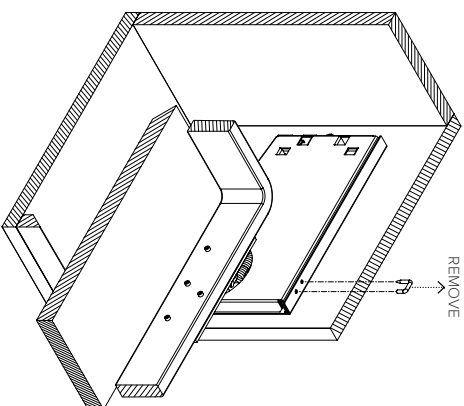
It is possible to use the mechanism with different cabinet dimensions **ONLY IF YOU CHECK:**

1. the mechanism rotation;
2. the balance of the mechanism;
3. the perfect closing of the cabinet door.

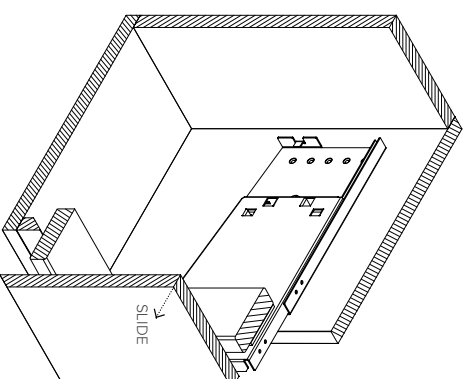
DISASSEMBLY STEPS



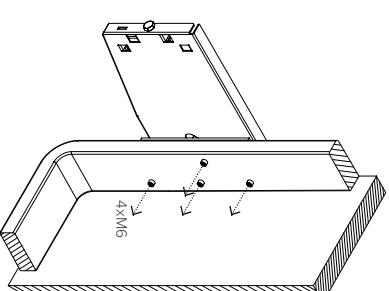
1. Rotate the mechanism in horizontal position.



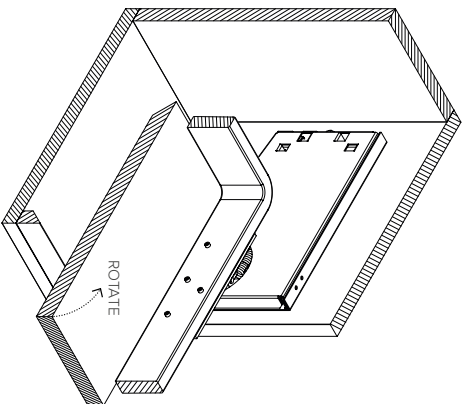
2. Unlock the two parts of the box.



4. Slide out spring boxes from metal boxes.



5. Disassemble the spring boxes.



3. Rotate the mechanism in vertical position.



SAFETY INFORMATION

Two installers are needed to disassemble the product: while one person maintains the bed in horizontal position, the other one unlocks the mechanisms.

DISASSEMBLY STEPS