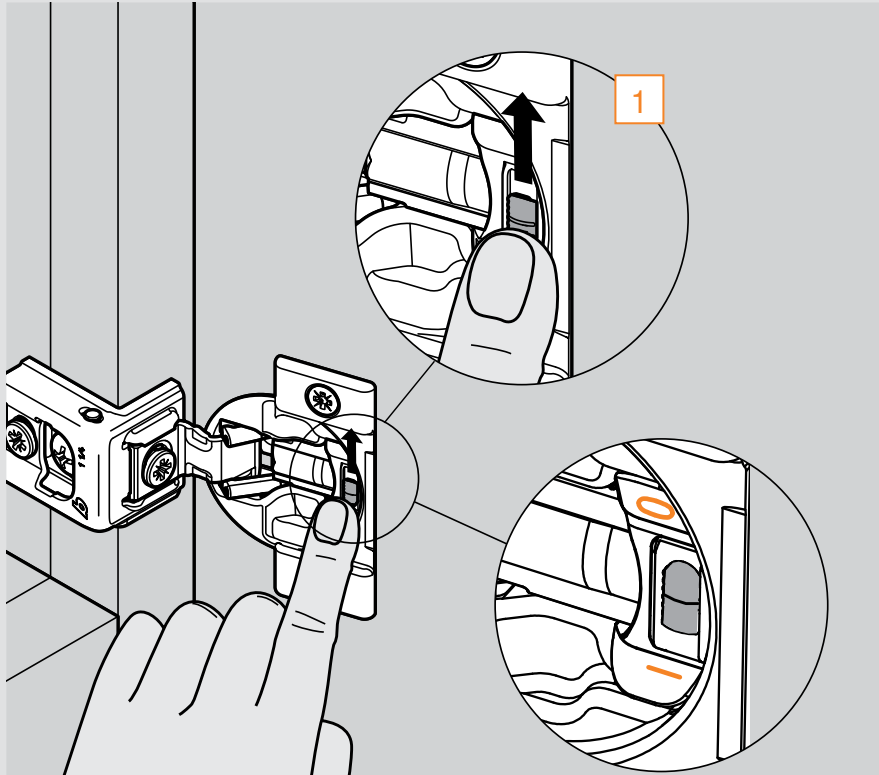


COMPACT BLUMOTION

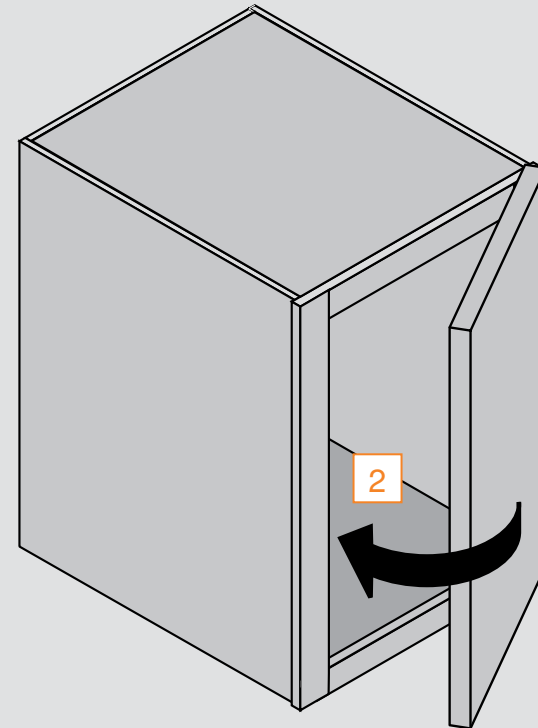
BLUMOTION deactivation

Switch on the hinge cup

For small or light doors, the BLUMOTION can be deactivated on one of the hinges. COMPACT BLUMOTION comes in the activated position, marked with a "1". The deactivated position is marked with a "0".



Door must be closed once for the deactivation to be complete. To reactivate, move switch back to the original position "1".

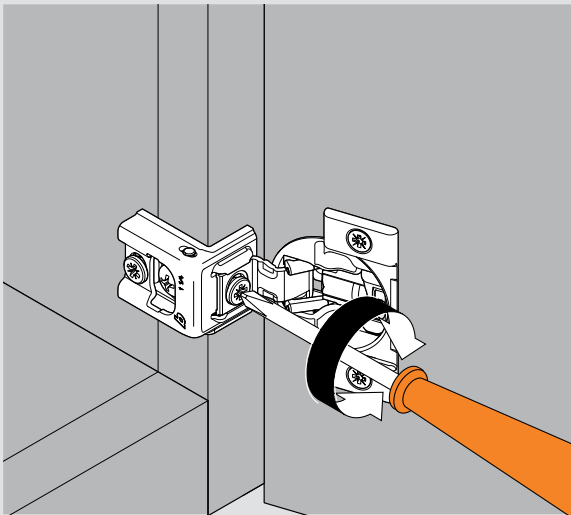
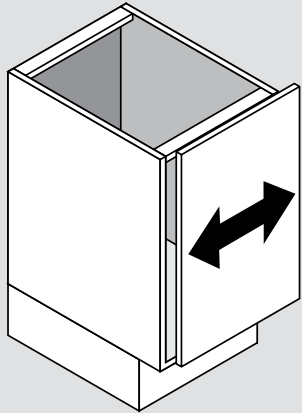


Door adjustment

Three-dimensional adjustment

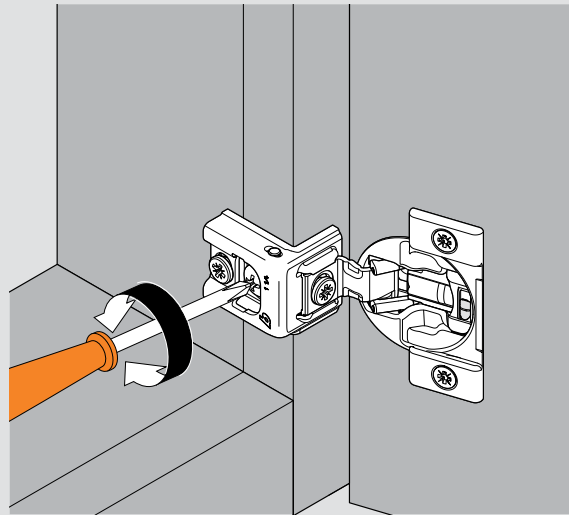
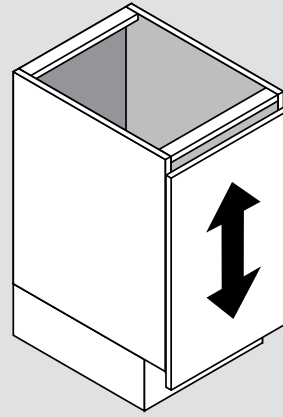
Side adjustment

Rotate the front cam screw to increase or decrease door overlay (+/- 1/16").



Height adjustment

Loosen installation screws to adjust door position (+/- 1/8"), then retighten.



Depth adjustment

Rotate the rear cam screw to adjust door gap (+ 3/32", - 1/32").

