



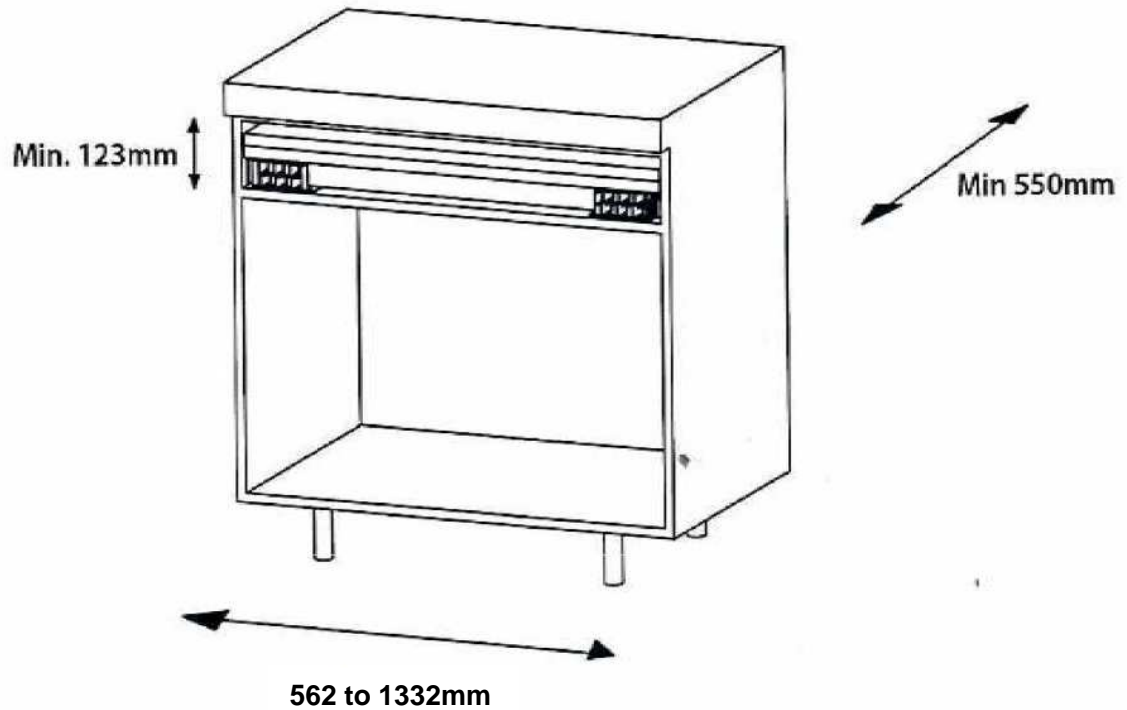
This mechanism enables a peninsula table to be extracted from a cabinet. It can be installed instead of one of your upper drawers and is completely integrated in the design of your kitchen.

This solution was designed especially for smaller kitchens where space is a concern but can also be used in a regular kitchen as an extra preparation zone or as a breakfast table. The mechanism is composed of heavy duty aluminum slides fixed on both internal sides of the cabinet and a connecting front bar that is also used as a handle to pull out the mechanism.


**Product information**

- Table top have to be done by the customer (specifications given in the mounting instructions). Thickness of the top should be 19mm (3/4")
- Works for an opening or interior width of 562mm to 1332mm (22 1/8" to 52 7/16" ) Customer can use a shim to adapt the width as the mechanism is not connected to the door front. (system comes with one bar of 1060mm (41 3/4") cuttable to size.
- Front is simply installed with Euro hinges for example (use an opening restrictor if required).
- Weight capacity of 80kgs (175lbs).

Code	Description	Interior or opening width	Required interior dimensions : Height	Total extention
<b>411981122</b>	Pull out table mechanism	562 to 1332mm (22 1/8" to 52 7/16")	Min. 123mm (4 7/8")	1075mm (42 5/16")



The mechanism comes with one frontal bar of 1060mm (41 3/4") cuttable to size for an opening of 562mm (22 1/8") to 1332mm (52 7/16")

