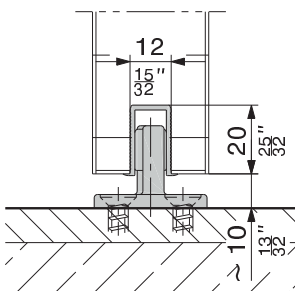
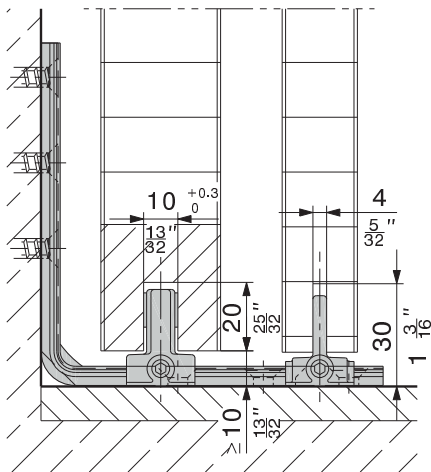
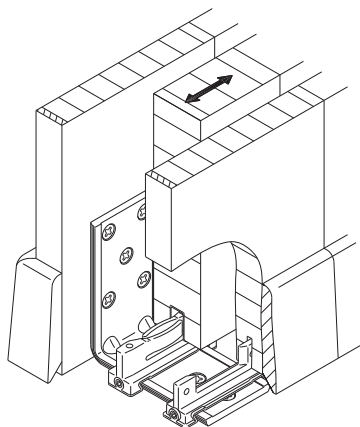


## HAWA-Confort 120

This hardware system provides a convenient solution to an age-old problem. Inadequate means of attachment to crumbly sub-flooring or in the vicinity of a floor heating system can give rise to a variety of problems. HAWA-Confort 120 provides the perfect solution, the floor guide is attached to the wall. The guide and catch components are laterally adjustable (where a trim wall is available).

Please use the corresponding installation instructions code 21793.



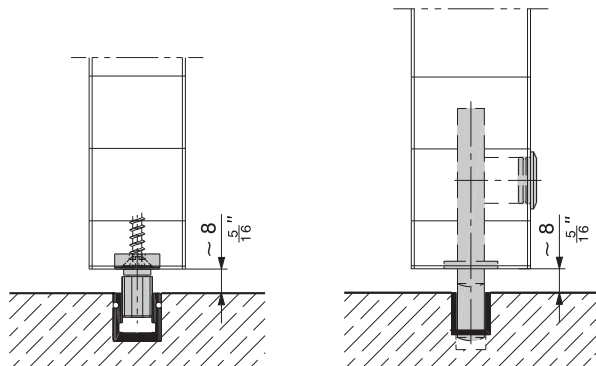
## Floor guides for sliding doors up to 120 kg (264 lbs.), groove widths 5, 7, 10 mm ( $\frac{7}{32}$ , $\frac{9}{32}$ , $\frac{25}{64}$ )

		code
	Floor-mounted guide, plastic, groove width 5 mm ( $\frac{7}{32}$ )	10507
	Floor-mounted guide, galvanized steel, groove width 5 mm ( $\frac{7}{32}$ )	10508
	Guide, rattle proof, for screw mounting to floor, black plastic, groove width 7 mm ( $\frac{9}{32}$ )	20635
	1 piece	14427
	set of 10 pieces	14536
	set of 100 pieces	14538
	HAWA-Confort 120, single, laterally adjustable floor-mounted guide, rattle proof, black plastic, groove width 10 mm ( $\frac{25}{64}$ )	14649
	HAWA-Confort 120, single, laterally adjustable floor-mounted guide, rattle proof, black plastic, groove width 10 mm ( $\frac{25}{64}$ )	16158
	HAWA-Confort 120, dual, laterally adjustable floor-mounted guide, rattle proof, black plastic and holding device for trim wall, groove width 10 + 4 mm ( $\frac{25}{64}$ + $\frac{5}{32}$ )	14651
	Guide profile, plastic, black, 1300 mm (4'3 $\frac{3}{16}$ "), groove-mounted, set of 10 pieces	14540

Subject to modification. Metric specifications are exact. Inches are approximate.

## Floor guides and bottom guide profiles, inside dimension 10 mm ( $\frac{25}{64}$ " )

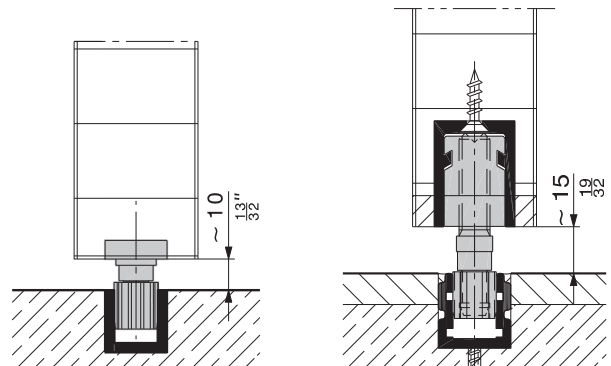
Caution: Hole positions vary.		code
	Single floor guide, screw mounting, rattle proof, wood	14283
	Bar bolt lock 9 mm ( $\frac{23}{64}$ "), profile cylinder	with guide pin 18750
		without guide pin 18836
	Bar bolt lock 9 mm ( $\frac{23}{64}$ "), square/hexagon socket, with slip-fit rose	with guide pin <b>18833</b>
		without guide pin 18898
	Bottom guide channel, brass, predrilled	6000 mm ( $19'8 \frac{7}{32}$ " ) 10235
		6000 mm ( $19'8 \frac{7}{32}$ " ) predrilled 10236
		cut to size 10237
	Bottom guide channel alu, plain anodized, drilled,	3500 mm ( $11'5 \frac{51}{64}$ " ) <b>18864</b>
		6000 mm ( $19'8 \frac{7}{32}$ " ) <b>18216</b>
		cut to size 18477
	End stopper for alu bottom guide channel, 16 x 16 mm ( $\frac{5}{8}$ " x $\frac{5}{8}$ " )	<b>18652</b>



Floor guides and bottom guide profiles, inside dimension 10 mm ( $\frac{25}{64}$ " )

## Floor guides and bottom guide profiles, inside dimension 14 mm ( $\frac{35}{64}$ " )

Caution: Hole positions vary.		code
	Guide plate with rattle proof guide piece, 14 mm ( $\frac{35}{64}$ " )	13325
	Guide with plastic slider 14 mm ( $\frac{35}{64}$ " ) and suspension block	<b>13781</b>
	Multi-purpose suspension and retainer profile, alu plain anodized, predrilled	6500 mm ( $21'3 \frac{29}{32}$ " ) <b>10346</b>
		cut to size 10347
	Bottom guide channel, alu plain anodized, predrilled	6000 mm ( $19'8 \frac{7}{32}$ " ) <b>14414</b>
		cut to size 14415
	Bottom guide channel, brass, predrilled	6000 mm ( $19'8 \frac{7}{32}$ " ) 10240
		cut to size 10242
	Bottom guide channel, brass, predrilled	6000 mm ( $19'8 \frac{7}{32}$ " ) 10245
		cut to size 10247
	Bottom guide channel, alu plain anodized, undrilled	6000 mm ( $19'8 \frac{7}{32}$ " ) <b>15405</b>
		cut to size 15554
	Stop bumper for 15405 and 15554	<b>15636</b>



Floor guides and bottom guide profiles, inside dimension 14 mm ( $\frac{35}{64}$ " )