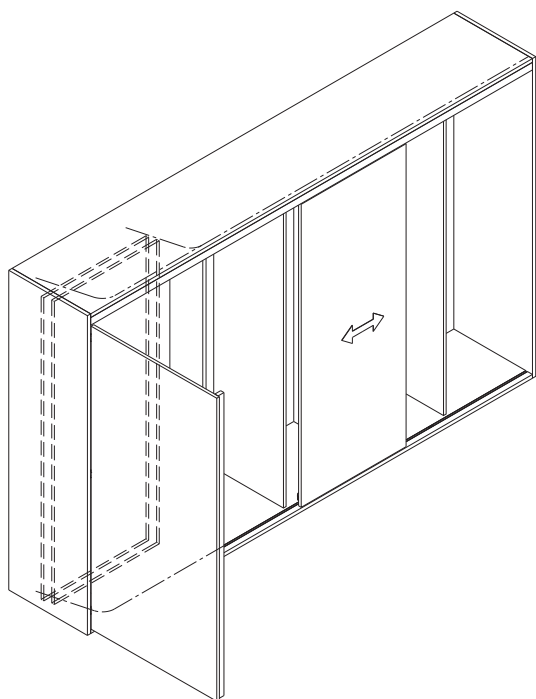


**Hardware system for cabinet sliding doors up to 40 kg (88 lbs.).
Stacking parallel to the sliding axis.**



Description

Convenient sliding door hardware system for multi-door cabinet fronts weighing up to 40 kg (88 lbs.), that can be stacked out of sight in a niche or cabinet compartment.

When closed, the cabinet front is flush, with uniform gaps between panels if desired, even in combination with hinged doors on upper and lower cabinets.

With this sophisticated system, the same hardware kit may be used for left and right-hand stacking areas. The number and width of door panels is also flexible.

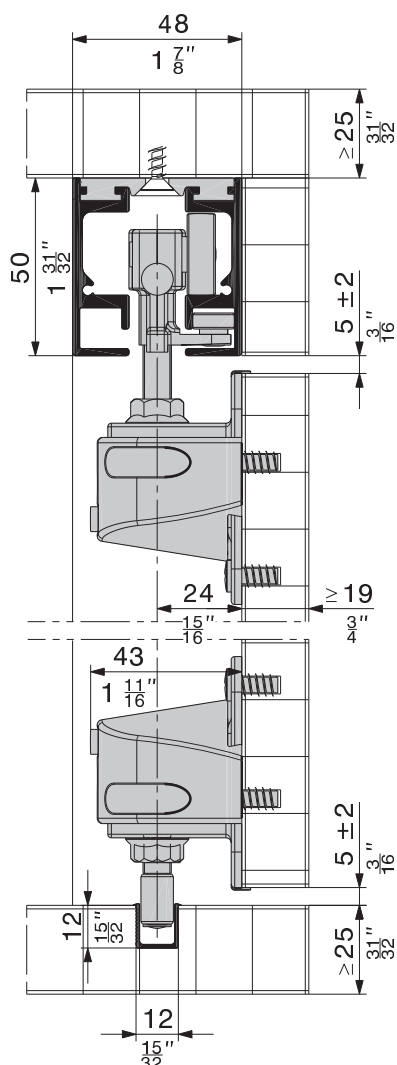
Unrestricted access to the entire cabinet width while the front is open.

Applications

All types of furniture with frequently-opened doors, like media walls, office cabinets, shop installations, counter-top to ceiling shutters, kitchenettes, and everywhere that requires space-saving door opening.

Features of the HAWA-Aperto 40/F

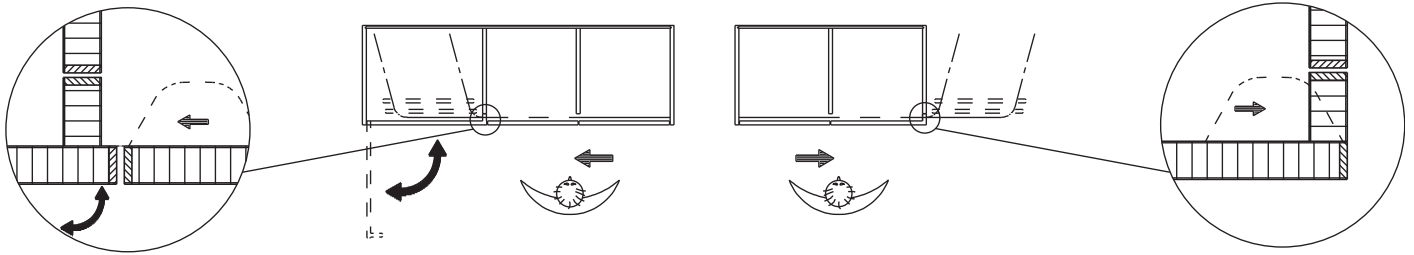
- Maximum panel weight 40 kg (88 lbs.)
- Panel thickness 19–25 mm ($\frac{3}{4}$ " - $\frac{63}{64}$ ")
- Maximum panel height 2600 mm (8'6 $\frac{63}{64}$ ")
- Panel width 400–900 mm (1'3 $\frac{3}{4}$ " - 2'11 $\frac{7}{16}$ ")
- Continuous height adjustment ± 2 mm ($\frac{5}{64}$ ")
- Minimum axis radius 2000 mm (6'6 $\frac{47}{64}$ ") for curved applications
- Centre stop with adjustable friction
- Flush-mounted panels
- Stacking area accommodates up to 7 door panels



Subject to modification. Metric specifications are exact. Inches are approximate.

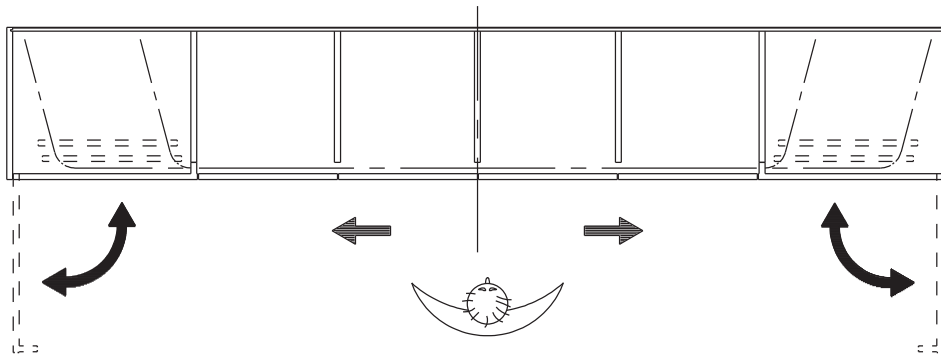
Stacking area options

HAWA-Aperto 40/F allows cabinet fronts to be stacked out of sight behind a hinged door, or used as visible design elements while parked.



Plan examples

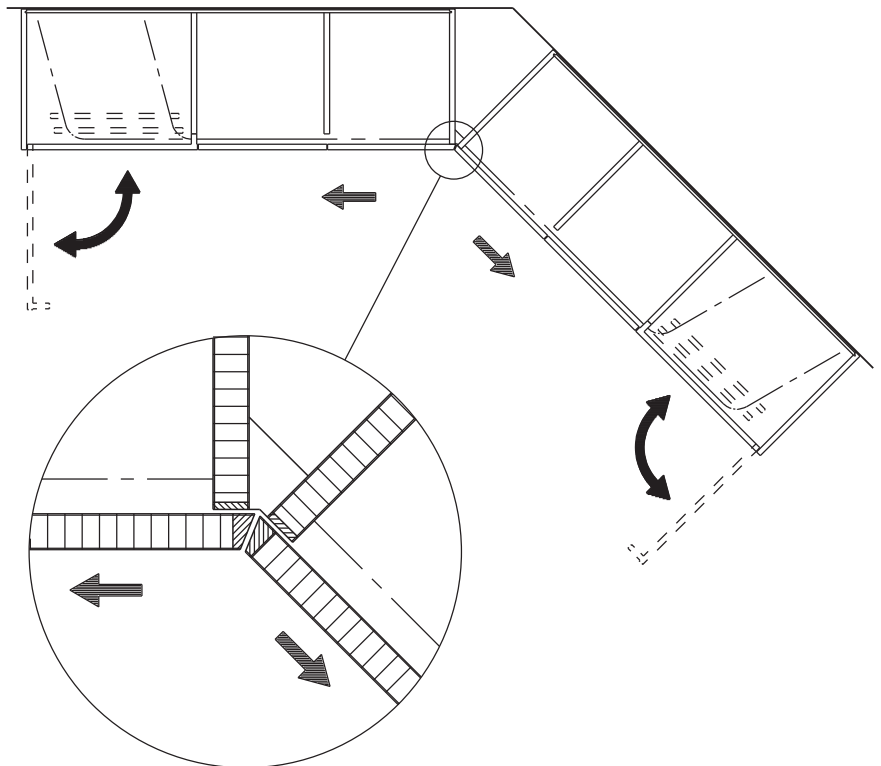
The system accommodates up to 7 panels per stacking area.
Individual panel width per installation.



Installations with two stacking areas are considered as two systems.

Convenient operation

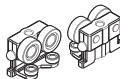







Plastic cover caps with buffer rollers provide extensive protection to cabinet fronts as they slide into the stacking area.
To avoid damage, we nonetheless recommend individually sliding each panel into the stacking area.



Panel set, HAWA-Aperto 40/F

	code
HAWA-Aperto 40/F, set for 1 panel	17797

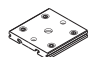
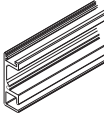

Panel set comprising

		pieces	code
	Two-wheeled trolley, M8, set of 2 pieces	1	17220
	Fixing cup, screw fitting	3	19880
	Suspension bolts and mounting screws, set for 1 fixing cup	2	19958
	Guide pin and mounting screws, set for 1 fixing cup	1	19959
	Panel surface equalizer, plastic black	1	20047
	Cover cap, plastic black, for fixing cup 19880	3	17678
	Spacers for panel clearance, 2 mm, ($\frac{5}{64}$ " plastic black, set of 4 pieces	1	17574
	Spacers for panel clearance, 3 mm, ($\frac{1}{8}$ " plastic black, set of 2 pieces	1	17929

Track set

	length of tracks	possible cabinet width incl. stacking area	code
Top tracks and bottom guide channels incl. top fixing plate for HAWA-Aperto 40/F	2500 mm ($8'2 \frac{27}{64}$ "	3200 mm ($10'5 \frac{5}{64}$ "	18250
	3500 mm ($11'5 \frac{51}{64}$ "	4200 mm ($13'9 \frac{23}{64}$ "	18251




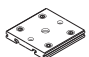
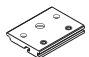

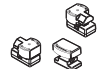




Track sets comprising

		18250	18251	code
	Top fixing plate for 2x single top track 2500 mm, ($8'2 \frac{27}{64}$ " set of 6 pieces	1	-	17806
	Top fixing plate for 2x single top track 3500 mm, ($11'5 \frac{51}{64}$ " set of 8 pieces	-	1	17807
	Single top track 2500 mm, ($8'2 \frac{27}{64}$ " alu plain anodized	2	-	17795
	Single top track 3500 mm, ($11'5 \frac{51}{64}$ " alu plain anodized	-	2	17796
	Set of bottom guide channels, 2500 mm, ($8'2 \frac{27}{64}$ " set of 2 pieces, plastic black	1	1	17066

Stacking area set, HAWA-Aperto 40/F

	code
HAWA-Aperto 40/F, parking area set, parking parallel to the slide axis	17798

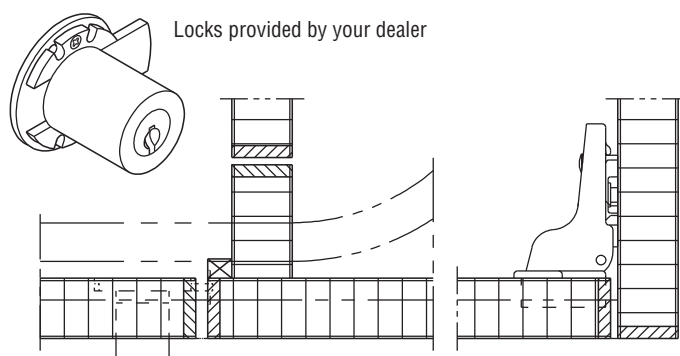
Stacking area set comprising

		pieces	code
	Single top track curved segment, 75° inside, length of leg 580 mm ($1'10 \frac{27}{32}$ "	1	17289
	Single top track curved segment, 75° outside, length of leg 580 mm ($1'10 \frac{27}{32}$ "	1	17290
	Curved bottom guide channel 75°, plastic black	1	16906
	Top fixing plate for 2x single top track, alu	1	17128
	Top fixing plate for single top track, alu	8	17749
	Connecting bolts, set of 6 pieces	1	17221
	Top track end stops, set	1	17748
	bumpers/end stoppers, plastic black, set	1	17395
	Centre stop with progressively adjustable retention spring catch	1	17283
	Fork spanner SW 15/7	1	10793
	Hex key, 4 mm, length 160 mm ($6 \frac{5}{16}$ "	1	19931

Concealed hinges for pivot doors not included





Sliding panel locking

Difficulties in locking sliding panels are a thing of the past with this system: locking the hinged door secures the entire cabinet front.



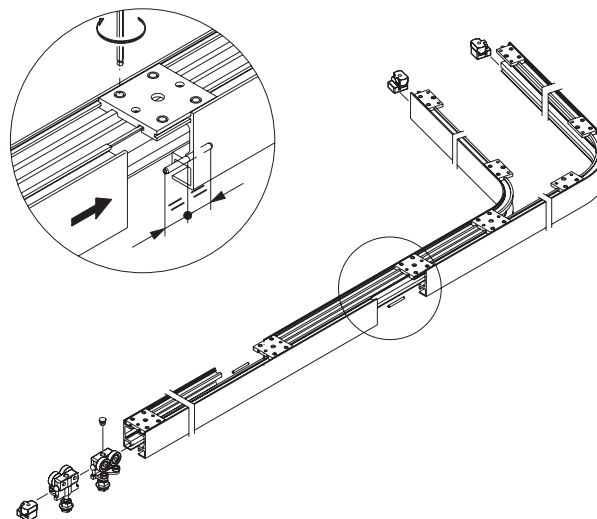
Subject to modification. Metric specifications are exact. Inches are approximate.

Accessories to HAWA-Aperto 40/F

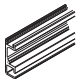
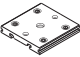
		code
	Two-wheeled trolley, M8	17927
	Centre stop with progressively adjustable retention spring catch	17283
	Top track end stops for single top track	18554
	Top track end stops for 2x single top track	18555

Sliding comfort

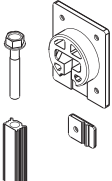
Easy sliding action thanks to forced guiding system, plastic rollers and anodised aluminium top tracks for extremely light and quiet running.



Top tracks to HAWA-Aperto 40/F

		code
	Single top track, 6000 mm (19'8 $\frac{7}{32}$ " alu plain anodized, (possible cabinet width incl. stacking area: 6700 mm [21'11 $\frac{25}{32}$ "])	16891
	Top fixing plate for 2x single top track, alu, plate distance max. 450 mm (1'5 $\frac{23}{32}$ "	17128

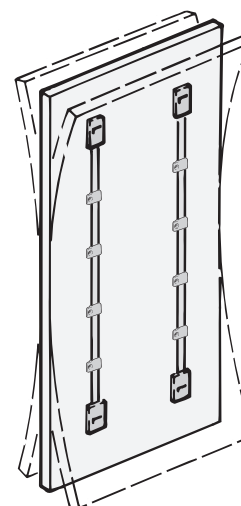
Aligner - Set for 1 door

		code
	Aligner for stabilisation of wooden sliding doors set for 1 door	18705
<ul style="list-style-type: none"> • for door thicknesses of 16–28 mm ($\frac{5}{8}$"–1 $\frac{1}{8}$" • for door heights up to 2600 mm (8'6 $\frac{3}{8}$" (not suitable for solid hardwood) 		

Stabilising of sliding panel

The aligner set facilitates straightforward stabilisation and alignment of the sliding panels. We recommend using two profile strips per panel, which can be shortened if necessary.

Detail's for aligner see page 70.



Order specifications

- Quantity of panel sets
- Quantity of stacking area sets
- Quantity and length of track set

Custom installations

Please contact Hawa for special installations with more than 7 panels, curved top tracks, or an integral change of track direction.

Planning/installation

For planning and installation purposes, please use the installation drawing code 17808. (→ hawa.ch → Productfinder)