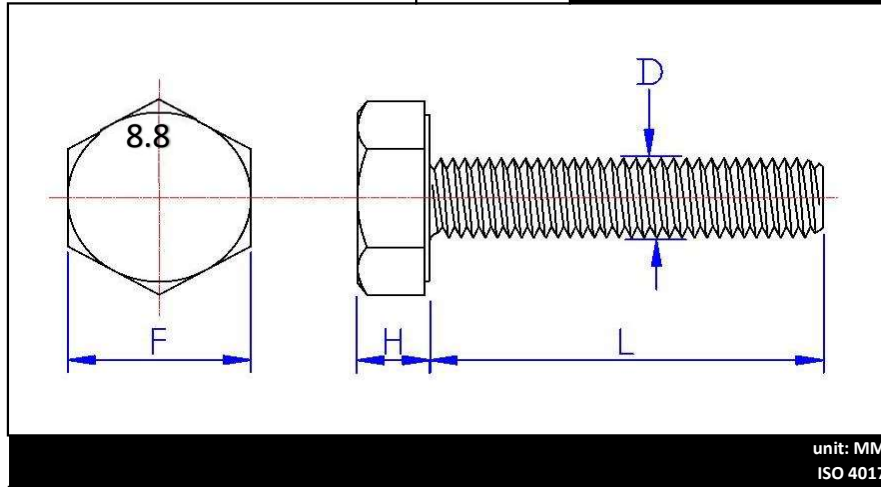




Brand	Root
	<b>HBZM...</b>



unit: MM  
ISO 4017

<b>L</b> LENGTH TOLERANCE	8 to 10mm	± 0.29
	12 to 16mm	± 0.35
	20 to 30mm	± 0.42
	35 to 50mm	± 0.5
	55 to 80mm	± 0.6

**FULL  
THREAD**

SCREW SIZE		F	H	D	THREAD
		ACROSS FLAT	HEAD HEIGHT	THREAD DIAM.	PITCH MM
<b>M4</b>	Min	6.78	2.675	3.838	<b>0.7</b>
	Max	7.00	2.925	3.978	
<b>M5</b>	Min	7.78	3.35	4.826	<b>0.8</b>
	Max	8.00	3.65	4.976	
<b>M6</b>	Min	9.78	3.85	5.794	<b>1</b>
	Max	10.00	4.15	5.974	
<b>M8</b>	Min	12.73	5.15	7.760	<b>1.25</b>
	Max	13.00	5.45	7.972	
<b>M10</b>	Min	<b>16.73 *</b>	6.22	9.732	<b>1.5</b>
	Max	<b>17.00 *</b>	6.58	9.968	

\* DIN 933 specs  
for this size

**Hex. Head Cap Screws, Full Threaded, Zinc plated (Class 8.8)**

Root= Hex. Bolt Zinc Metric

**Bulk Label Description:**

- English:    **HEX BOLT, CLASS-8.8, ZINC**
- French:     **BOULON TÊTE HEX, CLASS-8.8, ZINC**
- Spanish:    **PERNO DE CABEZA HEXAGONAL, CLASE-8.8, ZINC**

Date: 17 septembre 2019

Done by: P.B.