



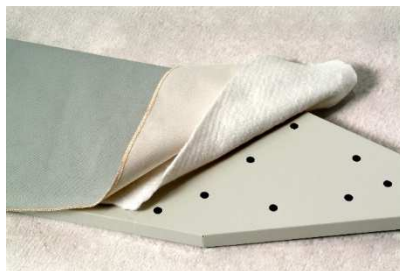
Swiveling electrical ironing board for recessed mounting.



## Advantages

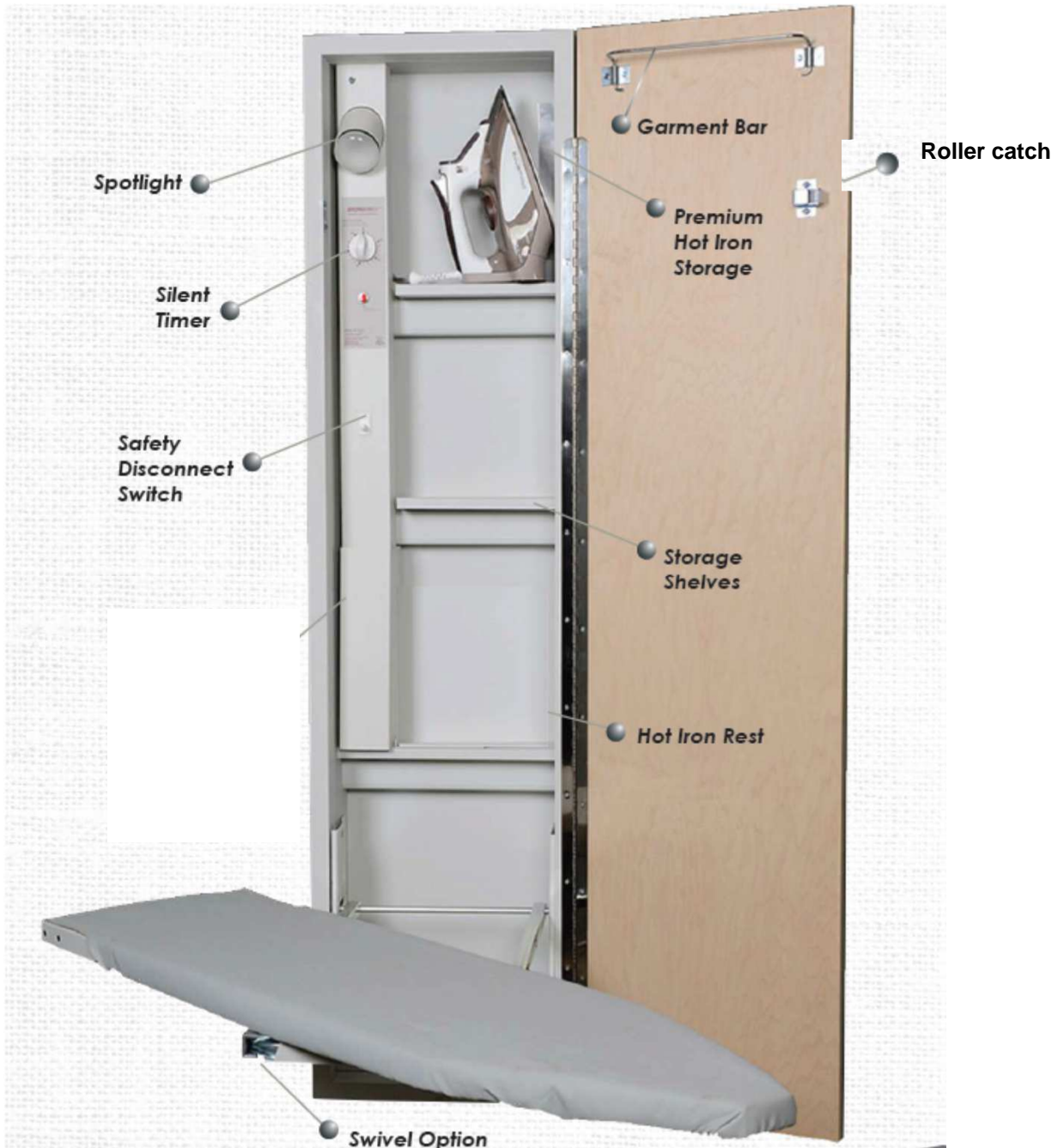
- Designed for recessed mounting, but can also be surface mount. Read mounting instructions consequently.
- Swiveling board as well to the right than the left so offer you a better posture for ironing.
- Height adjustable up to 4"
- Ventilated steel board allowing humidity caused by the iron to dry faster.
- Door mounted on piano hinge with right hand opening (AE42) or left hand opening (AE423).
- Unfinished maple veneer door include a roller catch to keep it closed.
- Locking device to hold the board lift up when opening the door.
- Electrical box including a light, a timer and a push button switch.

**Suggested product**  
Replacement cover pad  
# 001500



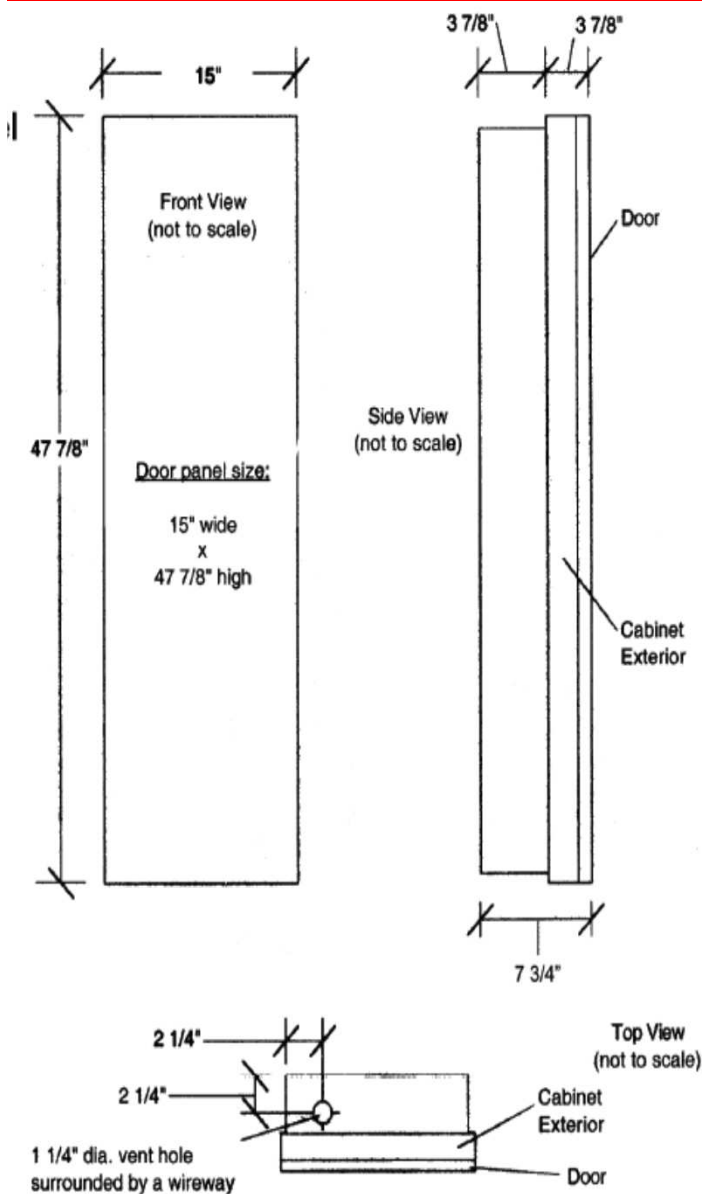
Code	Description	Dimensions W x D x H	Replace
AE42	IRONING BOARD W/LIGHT RH MAPLE	15" x 7 3/4" x 52"	E420203 et E42
AE423	IRONING BOARD W/LIGHT LH MAPLE	15" x 7 3/4" x 52"	E420303

Technical information



## Technical information

### Old model



### New model

