

+30° II – angled hinge overlay



- CLIP top BLUMOTION with integrated BLUMOTION (with deactivation option)
- CLIP top without closing mechanism (spring)
- +30° II angled hinge
- 95° opening angle
- 3-dimensional front adjustment
- Convenient spiral-tech depth adjustment
- Tool-free door to cabinet assembly and removal
- With INSERTA tool-free hinge to door assembly

Web code

DQDTDA

Reference pages

WA	Angle		
	25°	30°	35°
	N° 20	N° 21	N° 22
	124	125	125
	N° 50	N° 51	N° 52
	124	125	125
	N° 5	N° 6	N° 7
	129	125	125
	N° 40	N° 41	N° 42
	126	126	126
	N° 57	N° 58	N° 59
	124	125	125

Overview – angled applications 116

WA Angled application

Order information

Boss		INSERTA		
Hinge	Spring	Colour	Part no.	
CLIP top BLUMOTION	●	NI	79B9596	
● With spring		NI Nickel plated		
○ Unsprung		ONS Onyx black		

Boss		Screw-on		
Hinge	Spring	Colour	Part no.	
CLIP top BLUMOTION	●	NI ONS	79B9556	
CLIP top	○	NI	78A9556.T	

Accessories			
Hinge arm cover cap			
Print stamp	Logo	Colour	Part no.
Plain	–	NI ONS	70.1553
Stamped	Blum	NI	70.1553.BP

Hinge boss cover cap		
Hinge	Colour	Part no.
CLIP top BLUMOTION	NI ONS	70T3504
CLIP top	NI	70T1504

TIP-ON for doors		
Version	Spring	Part no.
Short version	○	956.1004
Extended version	○	956A1004
Extended version	●	956A1006

Chipboard screws		
Ø (mm)	Length (mm)	Part no.
3.5	15	609.1500
3.5	17	609.1700

Note

CLIP top BLUMOTION and CLIP top hinges cannot be combined with each other on a door.

Reference pages

Overview – CLIP top BLUMOTION CLIP top – hinges	71	Overview – TIP-ON for doors	171
Mounting plates	144	Overview – assembly devices	591
Accessories – hinge arm cover cap	151	More technical details	698
Accessories – general	153		

Assembly, removal and adjustment



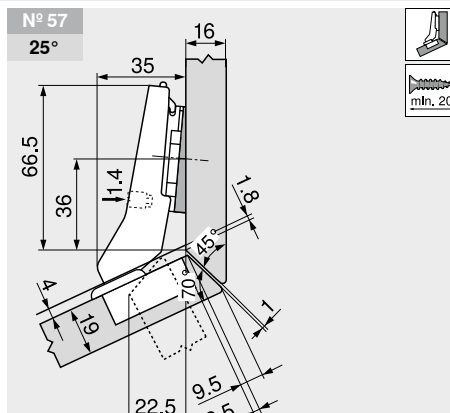
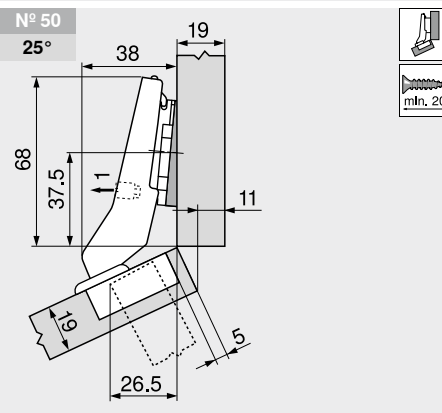
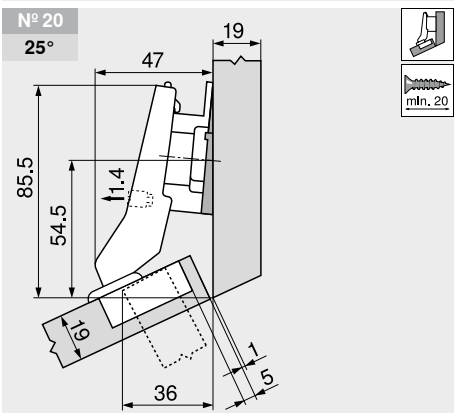
Short URL

www.blum.com/a210

Planning

Note

These dimensions are based on the factory setting. The application changes in cases of deviation. In these cases a trial is recommended. Some applications require the mounting plate to be moved from the standard fixing positions.

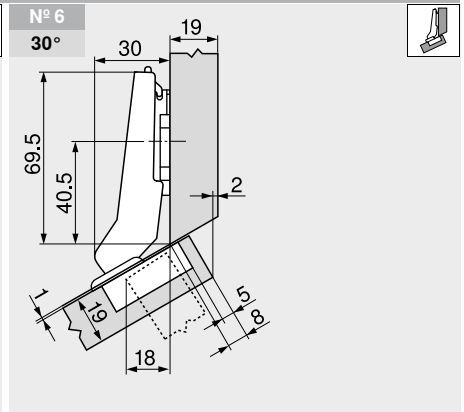
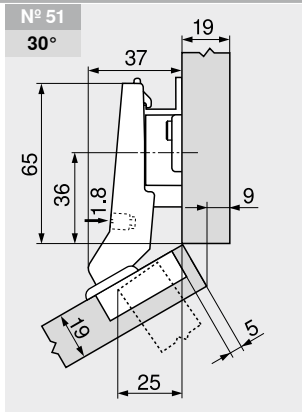
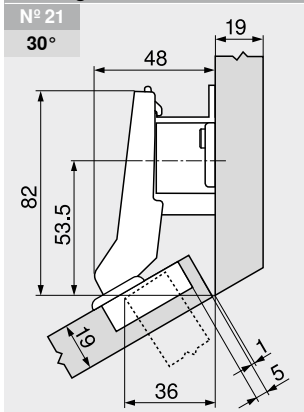


Description	Spacing (mm)	Part no.	Description	Spacing (mm)	Part no.	Description	Spacing (mm)	Part no.
Mounting plate	9	175H7190	Mounting plate	0	173H7100	Mounting plate	0	173H7100
Angled spacer	-5°	171A5500	Angled spacer	-5°	171A5500	Angled spacer	-5°	171A5500

+30° II – angled hinge overlay

Web code
DQDTDA

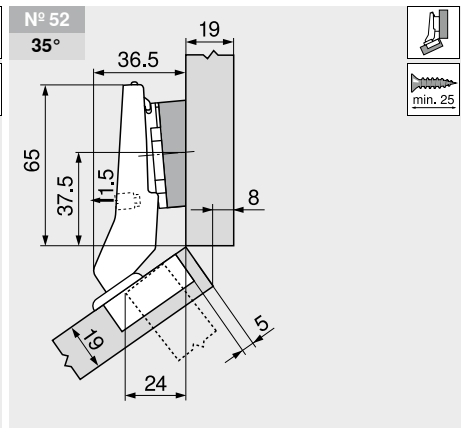
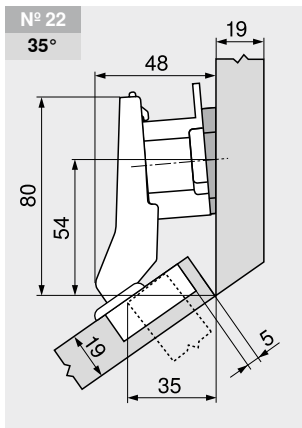
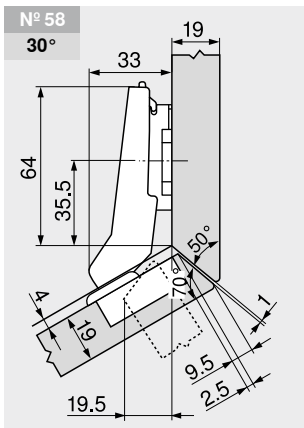
Planning



Description	Spacing (mm)	Part no.
Mounting plate	18	175H7190.22

Description	Spacing (mm)	Part no.
Mounting plate	9	175H7190

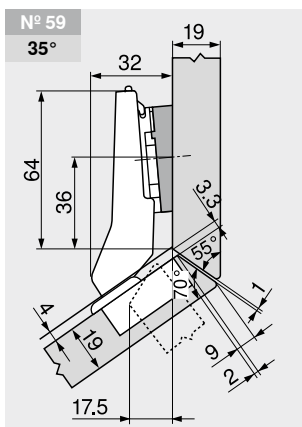
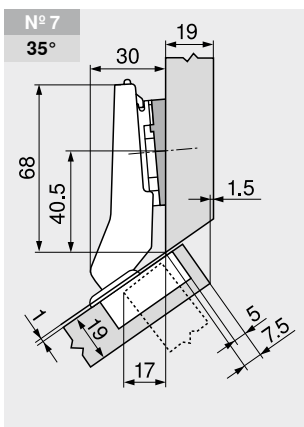
Description	Spacing (mm)	Part no.
Mounting plate	0	173H7100



Description	Spacing (mm)	Part no.
Mounting plate	3	173H7130

Description	Spacing (mm)	Part no.
Mounting plate	18	175H7190.22
Angled spacer	+5°	171A5010

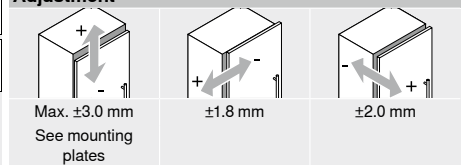
Description	Spacing (mm)	Part no.
Mounting plate	0	173H7100
Angled spacer	+5°	171A5070



Description	Spacing (mm)	Part no.
Mounting plate	0	173H7100
Angled spacer	+5°	171A5010

Description	Spacing (mm)	Part no.
Mounting plate	0	173H7100
Angled spacer	+5°	171A5040

Adjustment



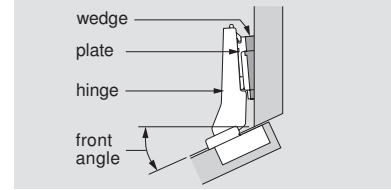
Reference pages

Hinge boss fixing	127
-------------------	-----

Application number

hinge	CLIP top BLUMOTION	Part number
hinge	CLIP top	Part number
plate	Mounting plate	Part number
wedge/spacer	May or may not be required	Part number

NOTE: All 35 mm and 8 mm holes must be a minimum of 13 mm deep



Positive angles

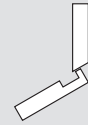
Negative angles

Positive angles					Negative angles			
	Maximum overlay	Partial overlay	Corner merge	Inset door	Mitered corner	Maximum overlay	Inset door	
5°	1	10	19	27		-5°	42	51
	71B9590	71B9590	71B9690	71B9790			71B9590	71B9690
	71T9590B	71T9590B	71T9690B	71T9790B			71T9590B	71T9690B
	173H7100	173H7100	173H7100	173H7100			173H7100	173H7100
	171A5010	171A5010	171A5070	171A5010		171A5500	171A5500	
10°	2	11	20	28		-10°	43	52
	79B9494	79B9494	79B9494	79B9494			79B3493	79B3493
	79A9494BT	79A9494BT	79A9494BT	79A9494BT			79A5493BT	79A5493BT
	173H7100	173H7100	175H9190.22	175H9190.22			173H7100	175H7190
	171A5500	171A5500	171A5500	171A5500		171A5010	171A5010	
15°	3	12	21	29	36	-15°	44	53
	79B9494	79B9494	79B9595	79B9595	79B9595		79B3493	79B3493
	79A9494BT	79A9494BT	79A9595BT	79A9595BT	79A9595BT		79A5493BT	79A5493BT
	175H9160	175H9190	173H7130	175H9190	173H7100		173H7100	175H9190.22
		171A5500	171A5500	171A5500				
20°	4	13	22	30	37	-20°	45	54
	79B9494	79B9595	79B9595	79B9595	79B9595		79B3493	79B3493
	79A9494BT	79A9595BT	79A9595BT	79A9595BT	79A9595BT		79A5493BT	79A5493BT
	173H7100	173H7100	175H9190	175H9190.22	175H9160		173H7100	175H9160
	171A5070				171A5500	171A5500		
25°	5	14	23	31	38	-25°	46	55
	79B9496	79B9595	79B9596	79B9596	79B9596		79B3491	79B3491
	79A9496BT	79A9595BT	79A9596BT	79A9596BT	79A9596BT		79A5491BT	79A5491BT
	173H7100	173H7100	173H7100	175H9190.22	173H7100		173H7100	175H7190
	171A5500	171A5010	171A5500	171A5500	171A5040	171A5070		
30°	6	15	24	32	39	-30°	47	
	79B9496	79B9596	79B9596	79B9596	79B9596		79B3491	
	79A9496BT	79A9596BT	79A9596BT	79A9596BT	79A9596BT		79A5491BT	
	175H9160	173H7100	175H9190	175H9190.22	173H7130	173H7130		
35°	7	16	25	33	40	-35°	48	
	79B9496	79B9596	79B9596	79B9596	79B9596		79B3491	
	79A9496BT	79A9596BT	79A9596BT	79A9596BT	79A9596BT		79A5491BT	
	173H7100	173H7100	173H7100	175H9190.22	173H7100		173H7100	
	171A5070	171A5010	171A5070	171A5010	171A5040	171A5500		
40°	8	17		34		-40°	49	
	79B9498	79B9498		79B9698			79B3490	
	79A9498BT	79A9498BT		79A9698BT			79A5490BT	
	173H7100	175H9160		175H9190			173H7100	
	171A5500		171A5500		171A5040			
45°	9	18	26	35	41	-45°	50	56
	79B9498	79B3598	79B9698	79B3598	79B9698		79B3490	79B3490
	79A9498BT	79T5590B	79A9698BT	79T5590B	79A9698BT		79A5490BT	79A5490BT
	175H9160	173H7100	173H7100	175H9190.22	173H7100		173H7130	175H7190
							181.6130	

Hinges

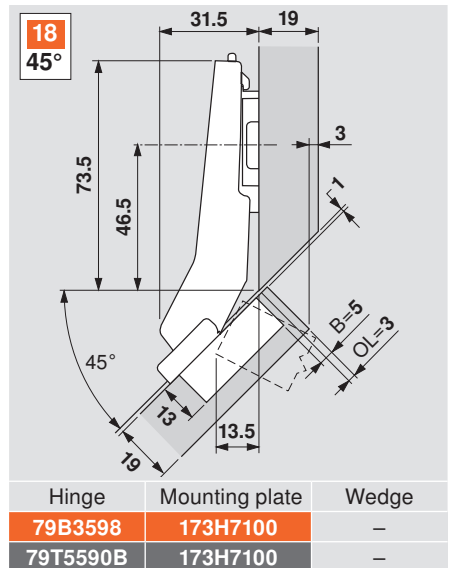
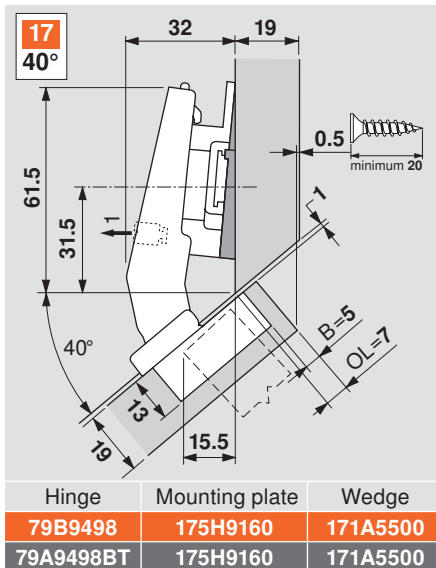
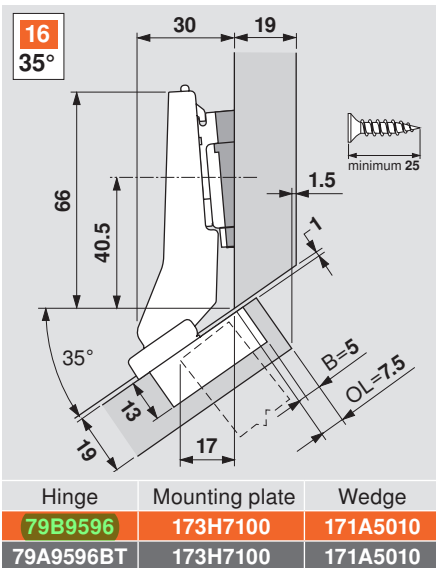
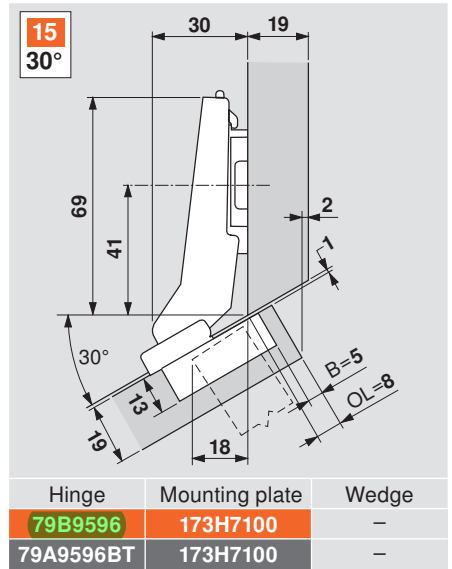
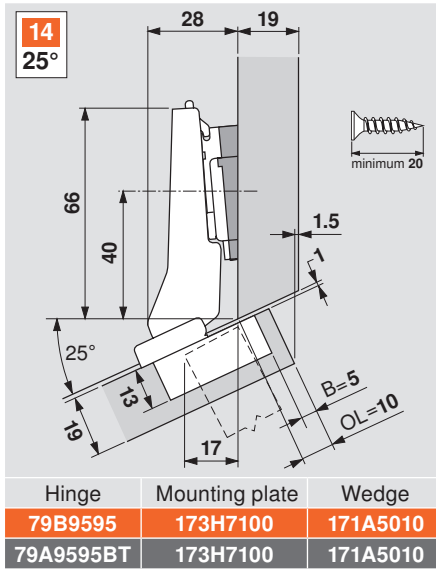
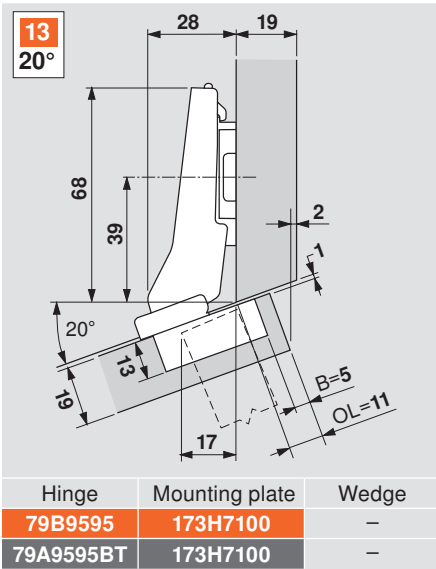
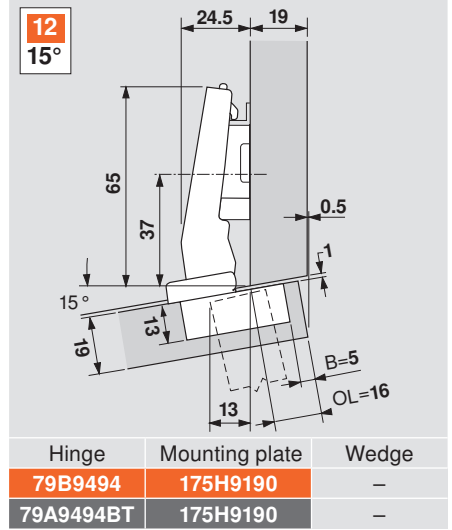
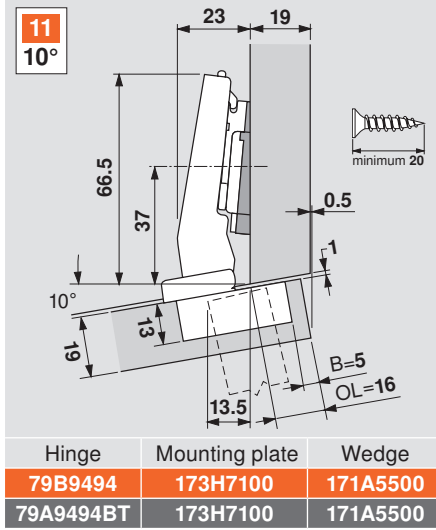
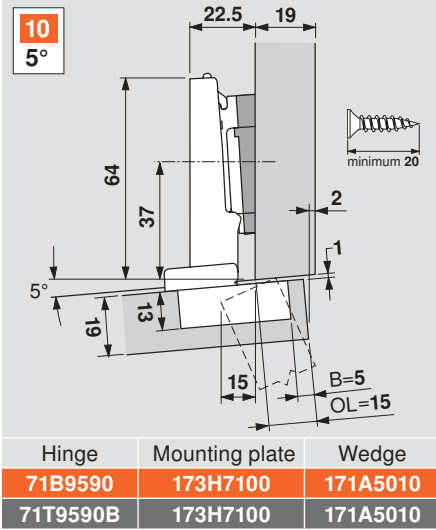


Partial Overlay Specifications



Positive Angle Applications

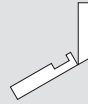
NOTE: **CLIP top BLUMOTION** CLIP top



Hinges

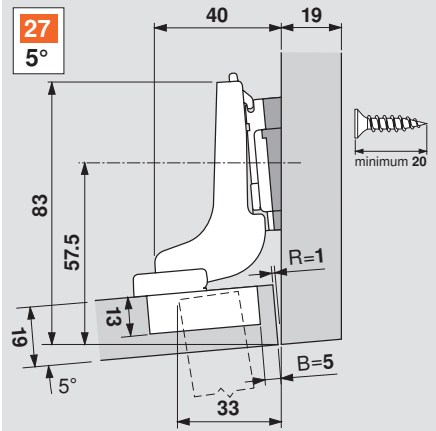


Inset Door Specifications

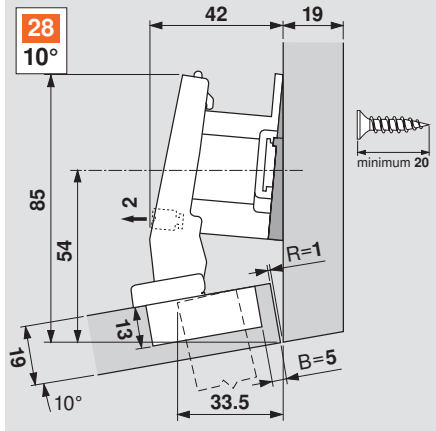


Positive Angle Applications

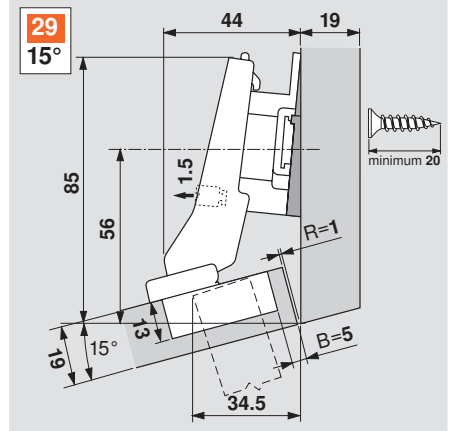
NOTE: **CLIP top BLUMOTION** CLIP top



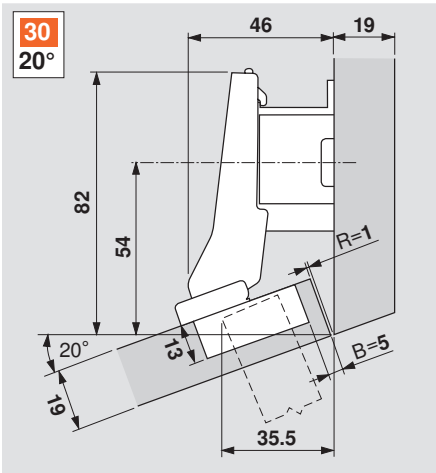
Hinge	Mounting plate	Wedge
71B9790	173H7100	171A5010
71T9790B	173H7100	171A5010



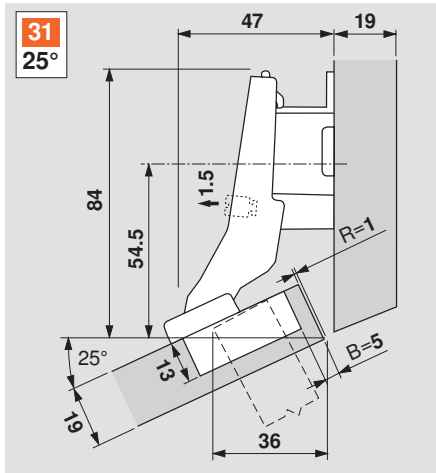
Hinge	Mounting plate	Wedge
79B9494	175H9190.22	171A5500
79A9494BT	175H9190.22	171A5500



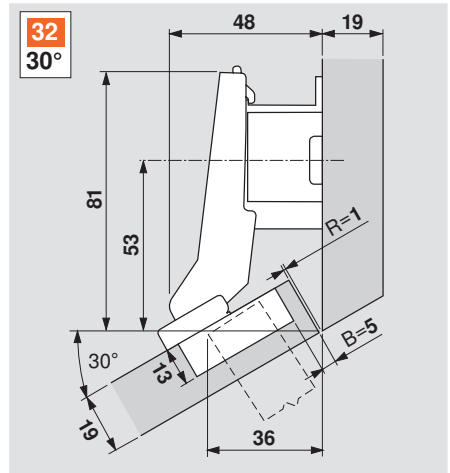
Hinge	Mounting plate	Wedge
79B9595	175H9190	171A5500
79A9595BT	175H9190	171A5500



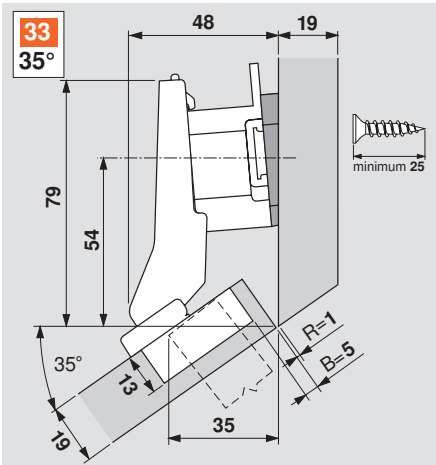
Hinge	Mounting plate	Wedge
79B9595	175H9190.22	-
79A9595BT	175H9190.22	-



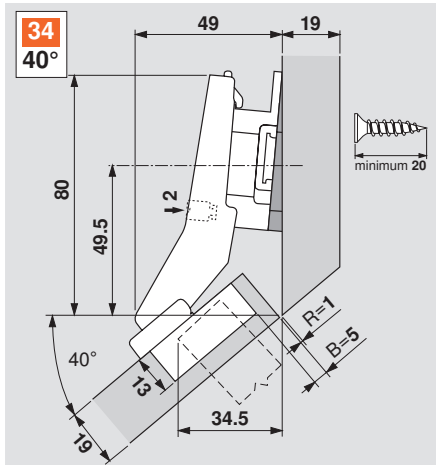
Hinge	Mounting plate	Wedge
79B9596	175H9190.22	-
79A9596BT	175H9190.22	-



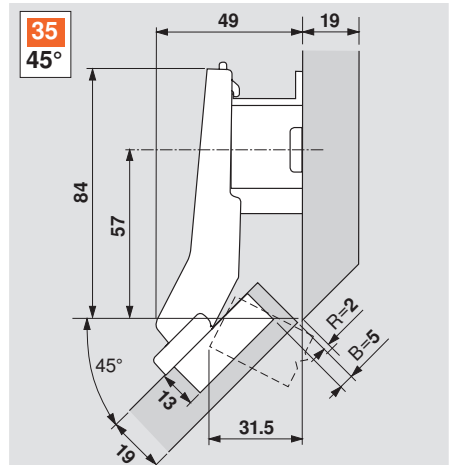
Hinge	Mounting plate	Wedge
79B9596	175H9190.22	-
79A9596BT	175H9190.22	-



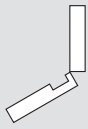
Hinge	Mounting plate	Wedge
79B9596	175H9190.22	171A5010
79A9596BT	175H9190.22	171A5010



Hinge	Mounting plate	Wedge
79B9698	175H9190	171A5500
79A9698BT	175H9190	171A5500



Hinge	Mounting plate	Wedge
79B3598	175H9190.22	-
79T5590B	175H9190.22	-



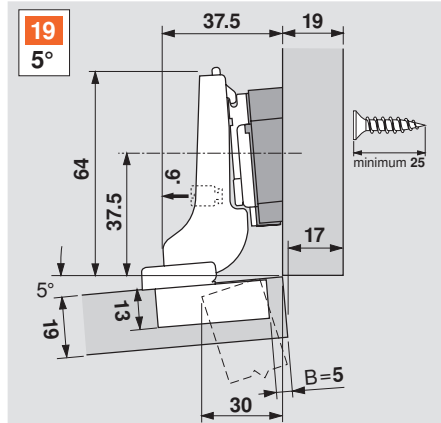
Corner Merge Specifications

Hinges

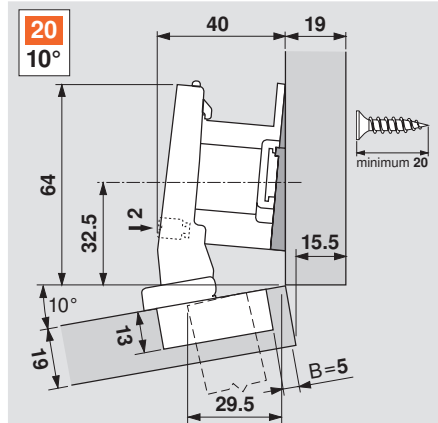


Positive Angle Applications

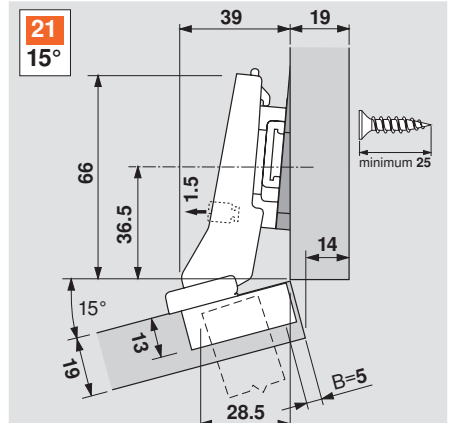
NOTE: CLIP top BLUMOTION CLIP top



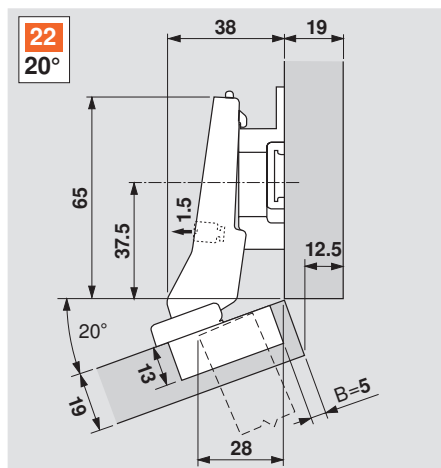
Hinge	Mounting plate	Wedge
71B9690	173H7100	171A5070
71T9690B	173H7100	171A5070



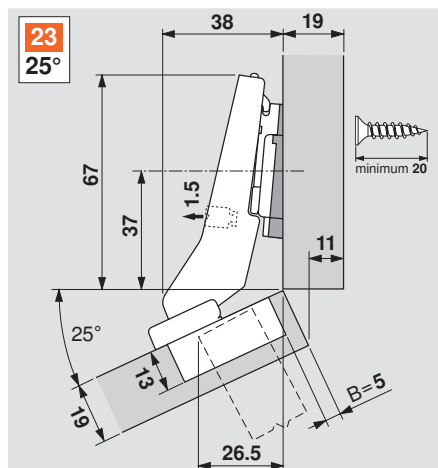
Hinge	Mounting plate	Wedge
79B9494	175H9190.22	171A5500
79A9494BT	175H9190.22	171A5500



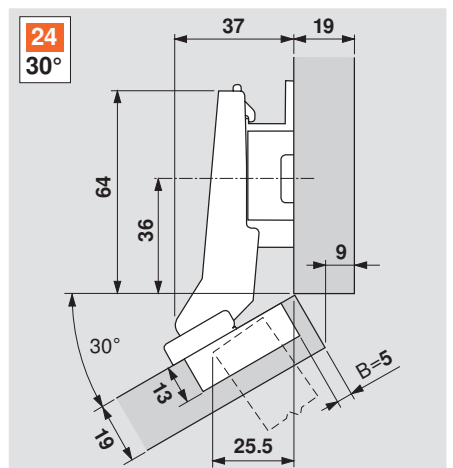
Hinge	Mounting plate	Wedge
79B9595	173H7130	171A5500
79A9595BT	173H7130	171A5500



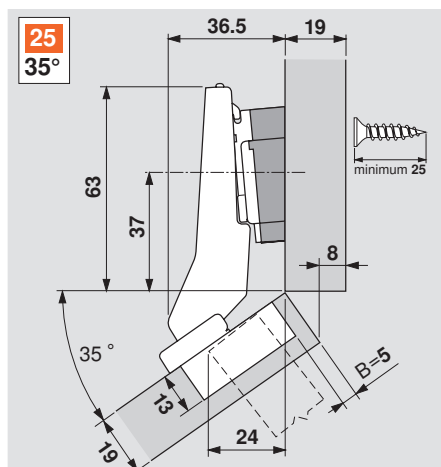
Hinge	Mounting plate	Wedge
79B9595	175H9190	-
79A9595BT	175H9190	-



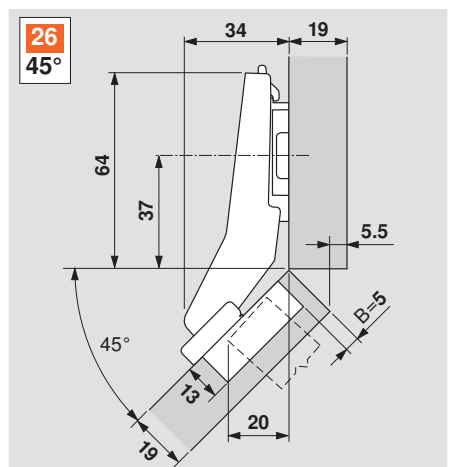
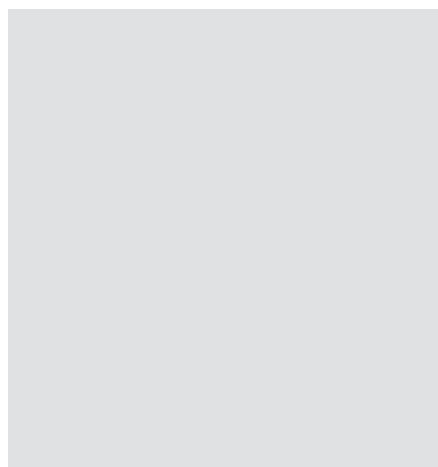
Hinge	Mounting plate	Wedge
79B9596	173H7100	171A5500
79A9596BT	173H7100	171A5500



Hinge	Mounting plate	Wedge
79B9596	175H9190	-
79A9596BT	175H9190	-



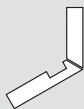
Hinge	Mounting plate	Wedge
79B9596	173H7100	171A5070
79A9596BT	173H7100	171A5070



Hinge	Mounting plate	Wedge
79B9698	173H7100	-
79A9698BT	173H7100	-

Angled hinges

Mitered Corner Specifications

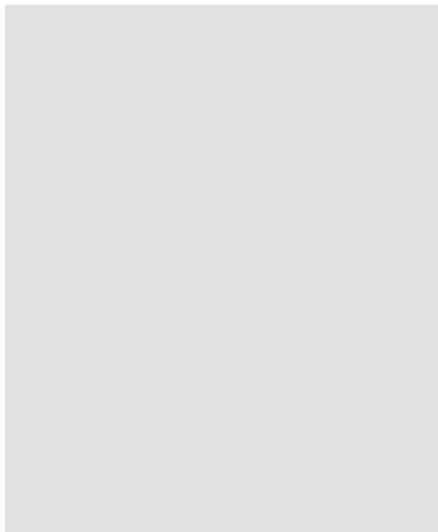
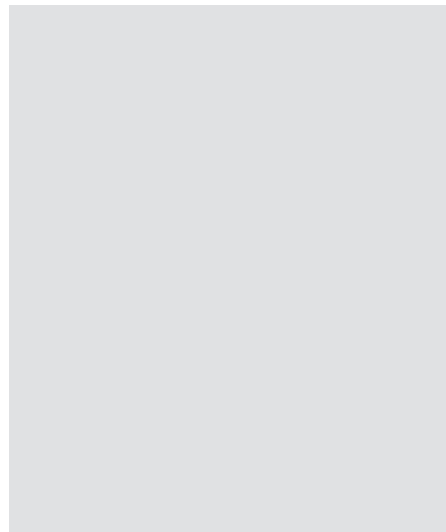


Hinges



Positive Angle Applications

NOTE: CLIP top BLUMOTION CLIP top



36
15°

NOTE:
 ■ Miter door 65°
 ■ Miter side 40°
 ■ Radius edges to fit
 Trial application recommended

Hinge	Mounting plate	Wedge
79B9595	173H7100	171A5500
79A9595BT	173H7100	171A5500

37
20°

NOTE:
 ■ Miter door 62°
 ■ Miter side 48°
 ■ Radius edges to fit
 Trial application recommended

Hinge	Mounting plate	Wedge
79B9595	175H9160	-
79A9595BT	175H9160	-

38
25°

NOTE:
 ■ Miter door 70°
 ■ Miter side 45°
 ■ Radius edges to fit
 Trial application recommended

Hinge	Mounting plate	Wedge
79B9596	173H7100	171A5500
79A9596BT	173H7100	171A5500

39
30°

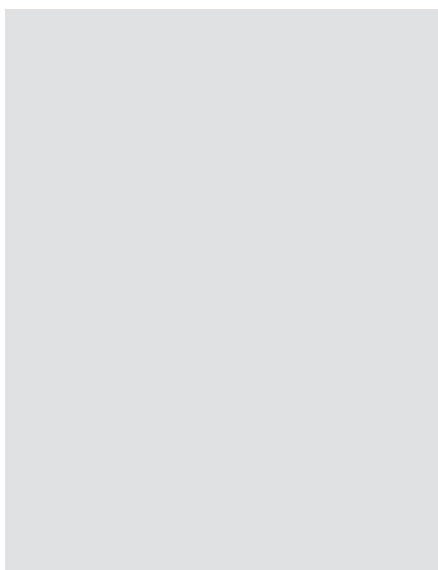
NOTE:
 ■ Miter door 70°
 ■ Miter side 50°
 ■ Radius edges to fit
 Trial application recommended

Hinge	Mounting plate	Wedge
79B9596	173H7130	-
79A9596BT	173H7130	-

40
35°

NOTE:
 ■ Miter door 70°
 ■ Miter side 55°
 ■ Radius edges to fit
 Trial application recommended

Hinge	Mounting plate	Wedge
79B9596	173H7100	171A5040
79A9596BT	173H7100	171A5040



41
45°

NOTE:
 ■ Miter door 67°
 ■ Miter side 68°
 ■ Radius edges to fit
 Trial application recommended

Hinge	Mounting plate	Wedge
79B9698	173H7100	-
79A9698BT	173H7100	-

Angled hinges