

+30° III – angled hinge full overlay


- CLIP top BLUMOTION with integrated BLUMOTION (with deactivation option)
- CLIP top without closing mechanism (spring)
- +30° III angled hinge
- 95° opening angle
- 3-dimensional front adjustment
- Convenient spiral-tech depth adjustment
- Tool-free door to cabinet assembly and removal
- With INSERTA tool-free hinge to door assembly

Web code
DQDU2M
Reference pages

WA	Angle		
	25°	30°	35°
	N° 20	N° 21	N° 22
	124	125	125
	N° 50	N° 51	N° 52
	124	125	125
	N° 5	N° 6	N° 7
	129	125	125
	N° 40	N° 41	N° 42
	126	126	126
	N° 57	N° 58	N° 59
	124	125	125

 Overview – angled applications **116**

WA Angled application

Order information

	Boss		INSERTA	
	Hinge	Spring	Colour	Part no.
	CLIP top BLUMOTION	●	NI	79B9496
	● With spring		NI	Nickel plated
	○ Unsprung			

	Boss		Screw-on	
	Hinge	Spring	Colour	Part no.
	CLIP top BLUMOTION	●	NI	79B9456
	CLIP top	○	NI	78A9456.T

Accessories			
Print stamp	Logo	Colour	Part no.
Plain	–	NI	70.1553
Stamped	Blum	NI	70.1553.BP

Hinge	Colour	Part no.
CLIP top BLUMOTION	NI	70T3504
CLIP top	NI	70T1504

TIP-ON for doors		
Version	Spring	Part no.
Short version	○	956.1004
Extended version	○	956A1004
Extended version	●	956A1006

Chipboard screws		
Ø (mm)	Length (mm)	Part no.
3.5	15	609.1500
3.5	17	609.1700

Note

CLIP top BLUMOTION and CLIP top hinges cannot be combined with each other on a door.

Reference pages

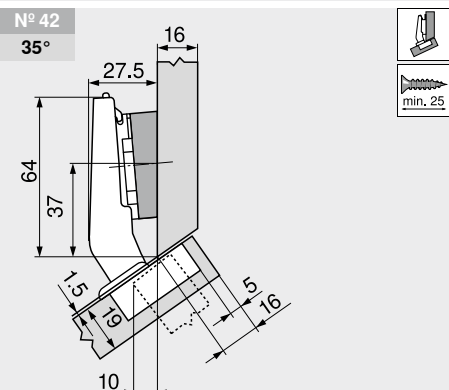
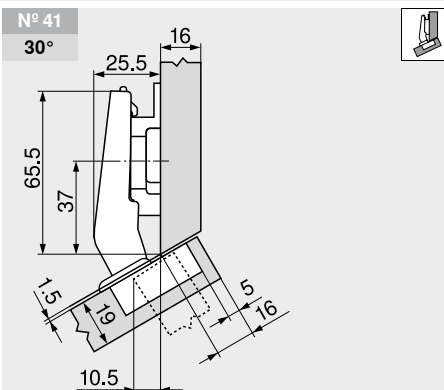
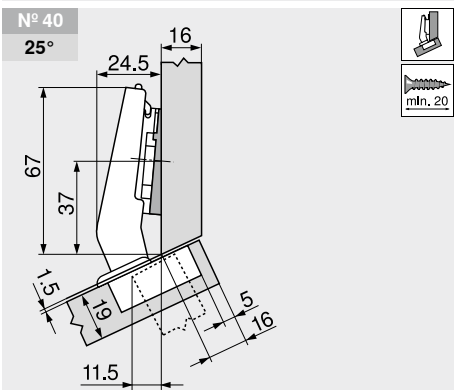
Overview – CLIP top BLUMOTION CLIP top – hinges	71	Overview – TIP-ON for doors	171
Mounting plates	144	Overview – assembly devices	591
Accessories – hinge arm cover cap	151	More technical details	698
Accessories – general	153		

Assembly, removal and adjustment


Short URL

www.blum.com/a210
Planning
Note

These dimensions are based on the factory setting. The application changes in cases of deviation. In these cases a trial is recommended. Some applications require the mounting plate to be moved from the standard fixing positions.



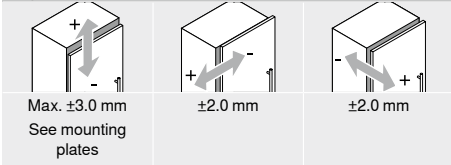
Description	Spacing (mm)	Part no.	Description	Spacing (mm)	Part no.	Description	Spacing (mm)	Part no.
Mounting plate	0	173H7100	Mounting plate	6	175H9160	Mounting plate	0	173H7100
Angled spacer	-5°	171A5500				Angled spacer	+5°	171A5070

+30° III – angled hinge full overlay

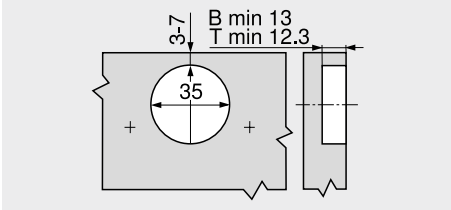
Web code
DQDU2M

Planning

Adjustment

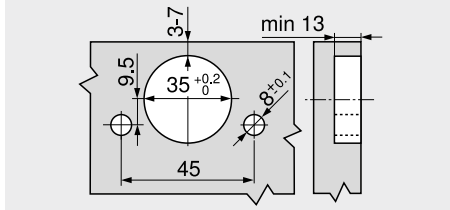


Screw-on



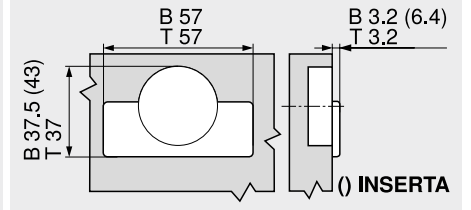
B CLIP top BLUMOTION
T CLIP top

INSERTA



B CLIP top BLUMOTION
T CLIP top

Hinge boss dimensions

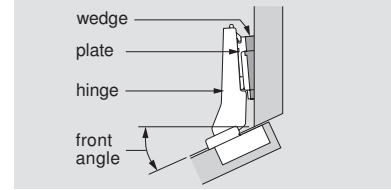


B CLIP top BLUMOTION
T CLIP top

Application number

hinge	CLIP top BLUMOTION	Part number
hinge	CLIP top	Part number
plate	Mounting plate	Part number
wedge/spacer	May or may not be required	Part number

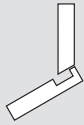
NOTE: All 35 mm and 8 mm holes must be a minimum of 13 mm deep



Positive angles

Negative angles

Positive angles					Negative angles		
	Maximum overlay	Partial overlay	Corner merge	Inset door	Mitered corner	Maximum overlay	Inset door
5°	1	10	19	27		42	51
	71B9590	71B9590	71B9690	71B9790		71B9590	71B9690
	71T9590B	71T9590B	71T9690B	71T9790B		71T9590B	71T9690B
	173H7100	173H7100	173H7100	173H7100		173H7100	173H7100
	171A5010	171A5010	171A5070	171A5010		171A5500	171A5500
10°	2	11	20	28		43	52
	79B9494	79B9494	79B9494	79B9494		79B3493	79B3493
	79A9494BT	79A9494BT	79A9494BT	79A9494BT		79A5493BT	79A5493BT
	173H7100	173H7100	175H9190.22	175H9190.22		173H7100	175H7190
	171A5500	171A5500	171A5500	171A5500		171A5010	171A5010
15°	3	12	21	29	36	44	53
	79B9494	79B9494	79B9595	79B9595	79B9595	79B3493	79B3493
	79A9494BT	79A9494BT	79A9595BT	79A9595BT	79A9595BT	79A5493BT	79A5493BT
	175H9160	175H9190	173H7130	175H9190	173H7100	173H7100	175H9190.22
		171A5500	171A5500	171A5500			
20°	4	13	22	30	37	45	54
	79B9494	79B9595	79B9595	79B9595	79B9595	79B3493	79B3493
	79A9494BT	79A9595BT	79A9595BT	79A9595BT	79A9595BT	79A5493BT	79A5493BT
	173H7100	173H7100	175H9190	175H9190.22	175H9160	173H7100	175H9160
	171A5070				171A5500	171A5500	
25°	5	14	23	31	38	46	55
	79B9496	79B9595	79B9596	79B9596	79B9596	79B3491	79B3491
	79A9496BT	79A9595BT	79A9596BT	79A9596BT	79A9596BT	79A5491BT	79A5491BT
	173H7100	173H7100	173H7100	175H9190.22	173H7100	173H7100	175H7190
	171A5500	171A5010	171A5500	171A5500	171A5040	171A5070	
30°	6	15	24	32	39	47	
	79B9496	79B9596	79B9596	79B9596	79B9596	79B3491	
	79A9496BT	79A9596BT	79A9596BT	79A9596BT	79A9596BT	79A5491BT	
	175H9160	173H7100	175H9190	175H9190.22	173H7130	173H7130	
35°	7	16	25	33	40	48	
	79B9496	79B9596	79B9596	79B9596	79B9596	79B3491	
	79A9496BT	79A9596BT	79A9596BT	79A9596BT	79A9596BT	79A5491BT	
	173H7100	173H7100	173H7100	175H9190.22	173H7100	173H7100	
	171A5070	171A5010	171A5070	171A5010	171A5040	171A5500	
40°	8	17		34		49	
	79B9498	79B9498		79B9698		79B3490	
	79A9498BT	79A9498BT		79A9698BT		79A5490BT	
	173H7100	175H9160		175H9190		173H7100	
	171A5500		171A5500		171A5040		
45°	9	18	26	35	41	50	56
	79B9498	79B3598	79B9698	79B3598	79B9698	79B3490	79B3490
	79A9498BT	79T5590B	79A9698BT	79T5590B	79A9698BT	79A5490BT	79A5490BT
	175H9160	173H7100	173H7100	175H9190.22	173H7100	173H7130	175H7190
						181.6130	



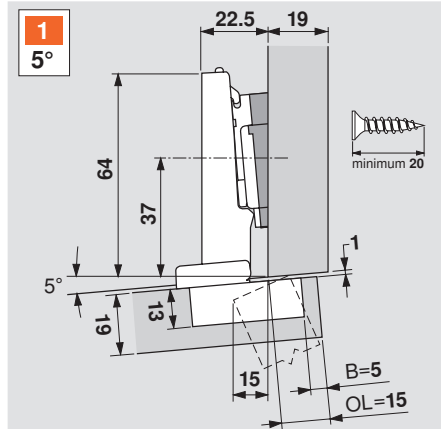
Maximum Overlay Specifications

Hinges

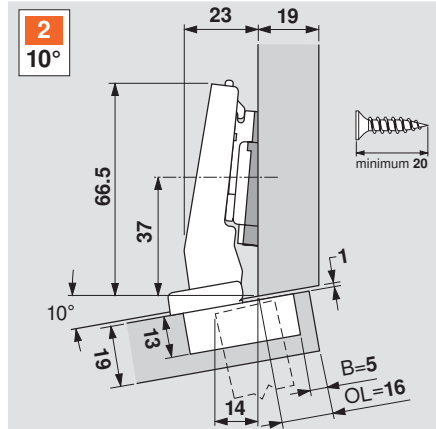


Positive Angle Applications

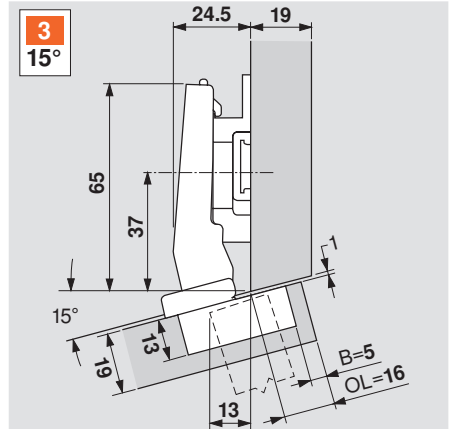
NOTE: CLIP top BLUMOTION CLIP top



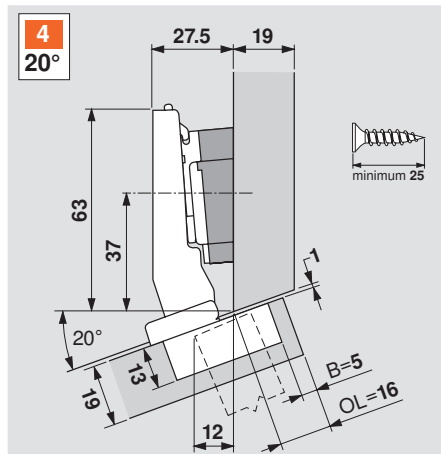
Hinge	Mounting plate	Wedge
71B9590	173H7100	171A5010
71T9590B	173H7100	171A5010



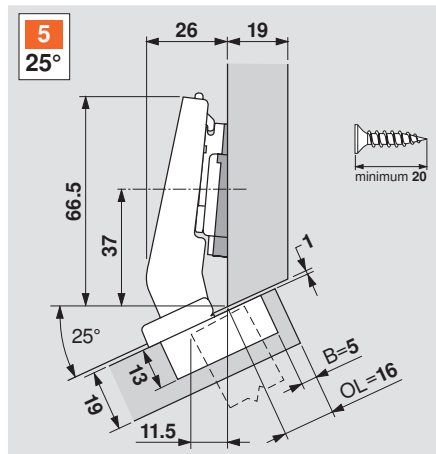
Hinge	Mounting plate	Wedge
79B9494	173H7100	171A5500
79A9494BT	173H7100	171A5500



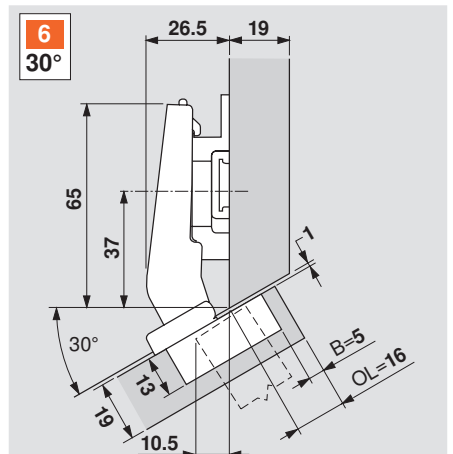
Hinge	Mounting plate	Wedge
79B9494	175H9160	-
79A9494BT	175H9160	-



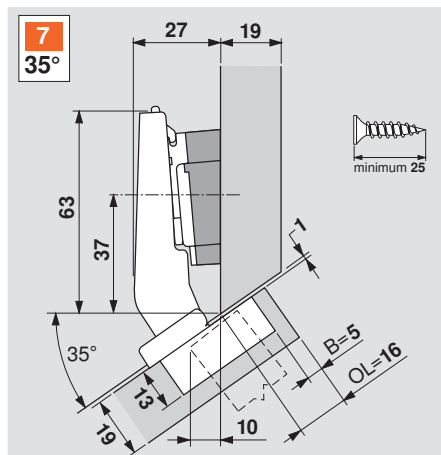
Hinge	Mounting plate	Wedge
79B9494	173H7100	171A5070
79A9494BT	173H7100	171A5070



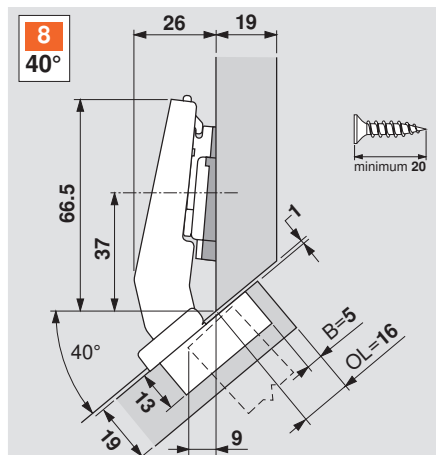
Hinge	Mounting plate	Wedge
79B9496	173H7100	171A5500
79A9496BT	173H7100	171A5500



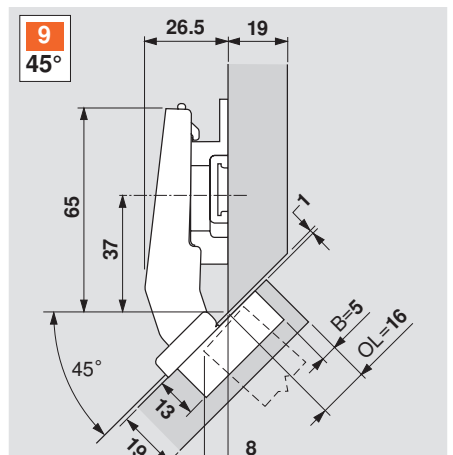
Hinge	Mounting plate	Wedge
79B9496	175H9160	-
79A9496BT	175H9160	-



Hinge	Mounting plate	Wedge
79B9496	173H7100	171A5070
79A9496BT	173H7100	171A5070



Hinge	Mounting plate	Wedge
79B9498	173H7100	171A5500
79A9498BT	173H7100	171A5500



Hinge	Mounting plate	Wedge
79B9498	175H9160	-
79A9498BT	175H9160	-

Angled hinges