

## +20° II – angled hinge overlay



- CLIP top BLUMOTION with integrated BLUMOTION (with deactivation option)
- CLIP top without closing mechanism (spring)
- +20° II angled hinge
- 95° opening angle
- 3-dimensional front adjustment
- Convenient spiral-tech depth adjustment
- Tool-free door to cabinet assembly and removal
- With INSERTA tool-free hinge to door assembly

 Web code  
DQDURY

## Reference pages

WA	Angle		
	15°	20°	25°
	N° 18	N° 19	N° 20
	128	129	124
	N° 48	N° 49	N° 50
	128	129	124
	N° 3	N° 4	N° 5
	131	129	129
	N° 38	N° 39	N° 40
	131	131	126
	N° 55	N° 56	N° 57
	128	129	124

 Overview – angled applications 116  
 WA Angled application

## Order information

Boss		INSERTA		
Hinge	Spring	Colour	Part no.	
CLIP top BLUMOTION	●	NI	79B9595	
● With spring		NI	Nickel plated	
○ Unsprung				

Boss		Screw-on		
Hinge	Spring	Colour	Part no.	
CLIP top BLUMOTION	●	NI	79B9555	
CLIP top	○	NI	78A9555.T	

Accessories			
Hinge arm cover cap			
Print   stamp	Logo	Colour	Part no.
Plain	–	NI	70.1553
Stamped	Blum	NI	70.1553.BP
Hinge boss cover cap			
Hinge	Colour	Part no.	
CLIP top BLUMOTION	NI	70T3504	
CLIP top	NI	70T1504	

TIP-ON for doors		
Version	Spring	Part no.
Short version	○	956.1004
Extended version	○	956A1004
Extended version	●	956A1006

Chipboard screws		
Ø (mm)	Length (mm)	Part no.
3.5	15	609.1500
3.5	17	609.1700

## Note

CLIP top BLUMOTION and CLIP top hinges cannot be combined with each other on a door.

## Reference pages

Overview – CLIP top BLUMOTION   CLIP top – hinges	71	Overview – TIP-ON for doors	171
Mounting plates	144	Overview – assembly devices	591
Accessories – hinge arm cover cap	151	More technical details	698
Accessories – general	153		

## Assembly, removal and adjustment



## Short URL

[www.blum.com/a210](http://www.blum.com/a210)

## Planning

## Note

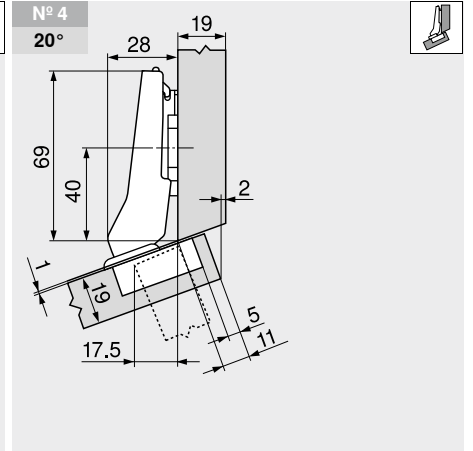
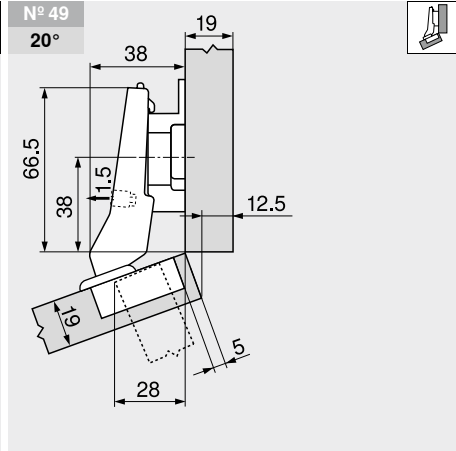
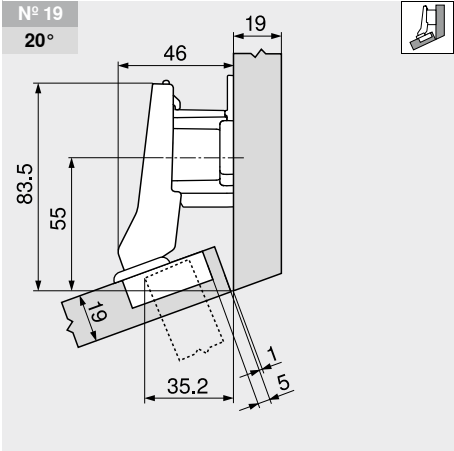
These dimensions are based on the factory setting. The application changes in cases of deviation. In these cases a trial is recommended. Some applications require the mounting plate to be moved from the standard fixing positions.

N° 18 15°			N° 48 15°			N° 55 15°		
<b>Description</b>	<b>Spacing (mm)</b>	<b>Part no.</b>	<b>Description</b>	<b>Spacing (mm)</b>	<b>Part no.</b>	<b>Description</b>	<b>Spacing (mm)</b>	<b>Part no.</b>
Mounting plate	9	175H7190	Mounting plate	3	173H7130	Mounting plate	0	173H7100
Angled spacer	-5°	171A5500	Angled spacer	-5°	171A5500	Angled spacer	-5°	171A5500

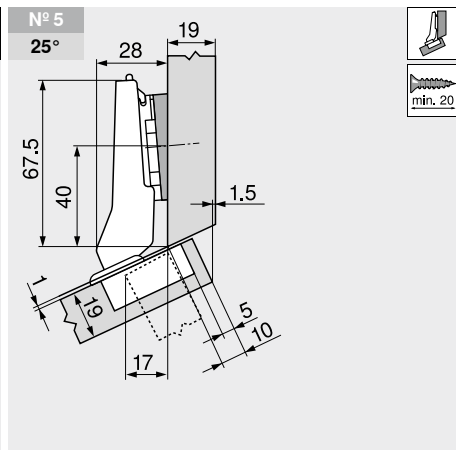
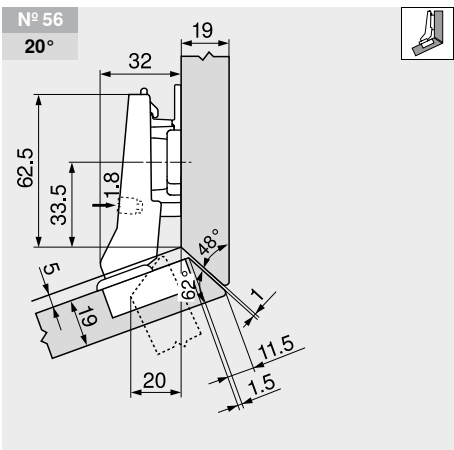
+20° II – angled hinge overlay

Web code  
DQDURY

Planning

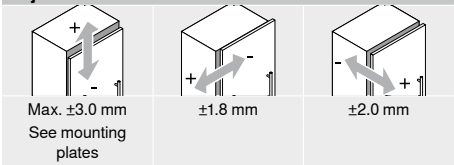


Description	Spacing (mm)	Part no.	Description	Spacing (mm)	Part no.	Description	Spacing (mm)	Part no.
Mounting plate	18	175H7190.22	Mounting plate	9	175H7190	Mounting plate	0	173H7100

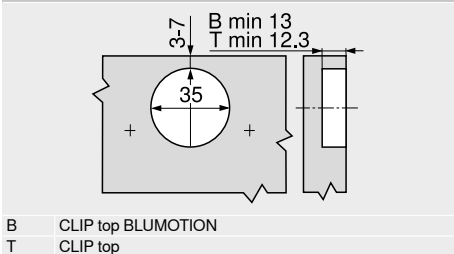


Description	Spacing (mm)	Part no.	Description	Spacing (mm)	Part no.
Mounting plate	6	175H9160	Mounting plate	0	173H7100
			Angled spacer	+5°	171A5010

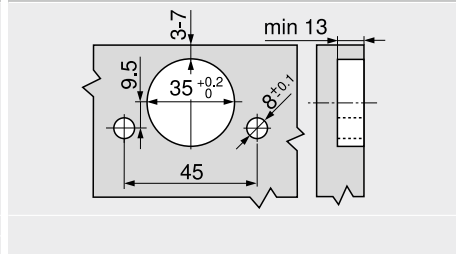
Adjustment



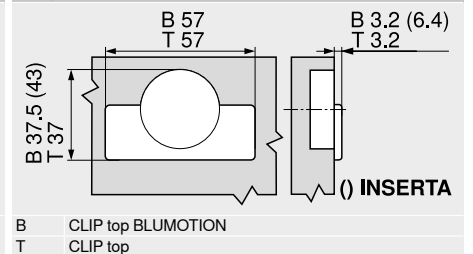
Screw-on



INSERTA



Hinge boss dimensions

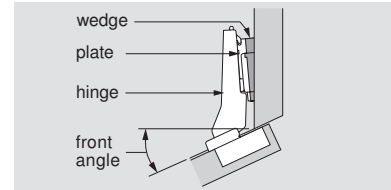




### Application number

hinge	CLIP top BLUMOTION	Part number
hinge	CLIP top	Part number
plate	Mounting plate	Part number
wedge/spacer	May or may not be required	Part number

**NOTE:** All 35 mm and 8 mm holes must be a minimum of 13 mm deep



### Positive angles

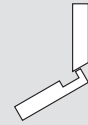
### Negative angles

Positive angles					Negative angles			
	Maximum overlay	Partial overlay	Corner merge	Inset door	Mitered corner	Maximum overlay	Inset door	
5°	1	10	19	27		-5°	42	51
	71B9590	71B9590	71B9690	71B9790			71B9590	71B9690
	71T9590B	71T9590B	71T9690B	71T9790B			71T9590B	71T9690B
	173H7100	173H7100	173H7100	173H7100			173H7100	173H7100
	171A5010	171A5010	171A5070	171A5010		171A5500	171A5500	
10°	2	11	20	28		-10°	43	52
	79B9494	79B9494	79B9494	79B9494			79B3493	79B3493
	79A9494BT	79A9494BT	79A9494BT	79A9494BT			79A5493BT	79A5493BT
	173H7100	173H7100	175H9190.22	175H9190.22			173H7100	175H7190
	171A5500	171A5500	171A5500	171A5500		171A5010	171A5010	
15°	3	12	21	29	36	-15°	44	53
	79B9494	79B9494	79B9595	79B9595	79B9595		79B3493	79B3493
	79A9494BT	79A9494BT	79A9595BT	79A9595BT	79A9595BT		79A5493BT	79A5493BT
	175H9160	175H9190	173H7130	175H9190	173H7100		173H7100	175H9190.22
		171A5500	171A5500	171A5500				
20°	4	13	22	30	37	-20°	45	54
	79B9494	79B9595	79B9595	79B9595	79B9595		79B3493	79B3493
	79A9494BT	79A9595BT	79A9595BT	79A9595BT	79A9595BT		79A5493BT	79A5493BT
	173H7100	173H7100	175H9190	175H9190.22	175H9160		173H7100	175H9160
						171A5500	171A5500	
25°	5	14	23	31	38	-25°	46	55
	79B9496	79B9595	79B9596	79B9596	79B9596		79B3491	79B3491
	79A9496BT	79A9595BT	79A9596BT	79A9596BT	79A9596BT		79A5491BT	79A5491BT
	173H7100	173H7100	173H7100	175H9190.22	173H7100		173H7100	175H7190
	171A5500	171A5010	171A5500	171A5500		171A5040	171A5070	
30°	6	15	24	32	39	-30°	47	
	79B9496	79B9596	79B9596	79B9596	79B9596		79B3491	
	79A9496BT	79A9596BT	79A9596BT	79A9596BT	79A9596BT		79A5491BT	
	175H9160	173H7100	175H9190	175H9190.22	173H7130	173H7130		
35°	7	16	25	33	40	-35°	48	
	79B9496	79B9596	79B9596	79B9596	79B9596		79B3491	
	79B9496BT	79A9596BT	79A9596BT	79A9596BT	79A9596BT		79A5491BT	
	173H7100	173H7100	173H7100	175H9190.22	173H7100		173H7100	
	171A5070	171A5010	171A5070	171A5010	171A5040	171A5500		
40°	8	17		34		-40°	49	
	79B9498	79B9498		79B9698			79B3490	
	79A9498BT	79A9498BT		79A9698BT			79A5490BT	
	173H7100	175H9160		175H9190			173H7100	
	171A5500		171A5500		171A5040			
45°	9	18	26	35	41	-45°	50	56
	79B9498	79B3598	79B9698	79B3598	79B9698		79B3490	79B3490
	79A9498BT	79T5590B	79A9698BT	79T5590B	79A9698BT		79A5490BT	79A5490BT
	175H9160	173H7100	173H7100	175H9190.22	173H7100		173H7130	175H7190
							181.6130	

# Hinges

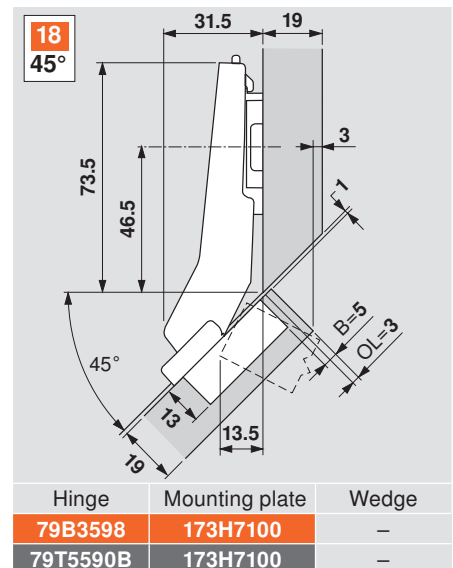
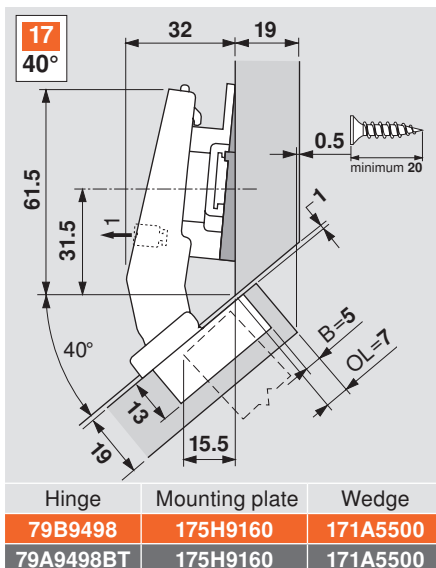
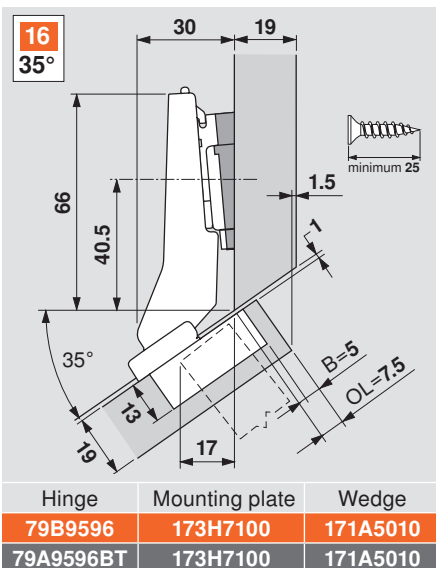
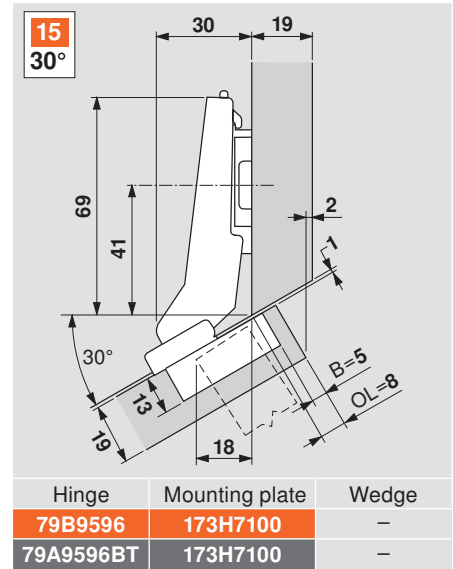
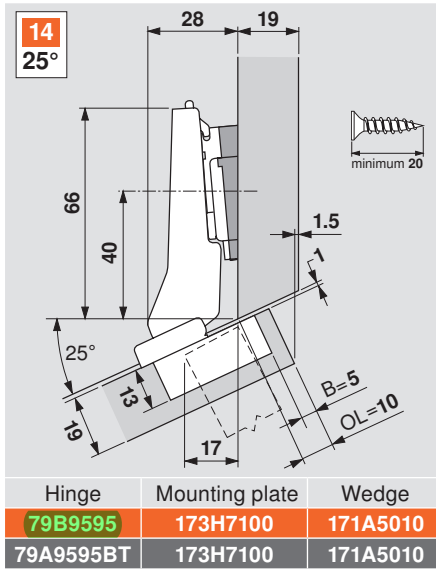
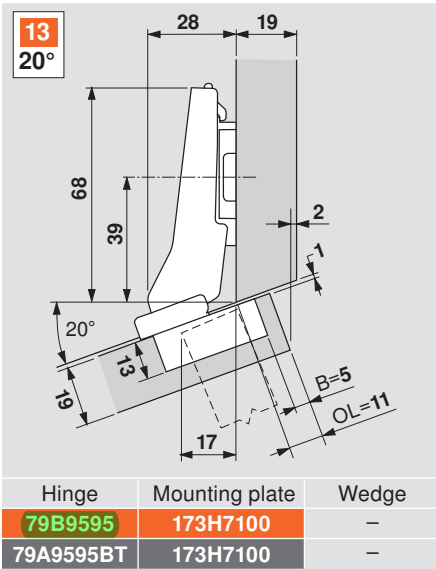
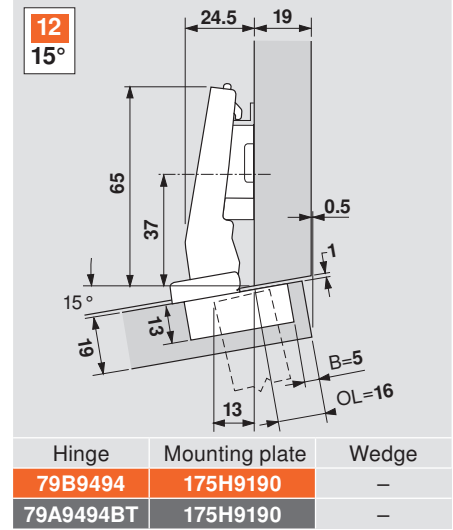
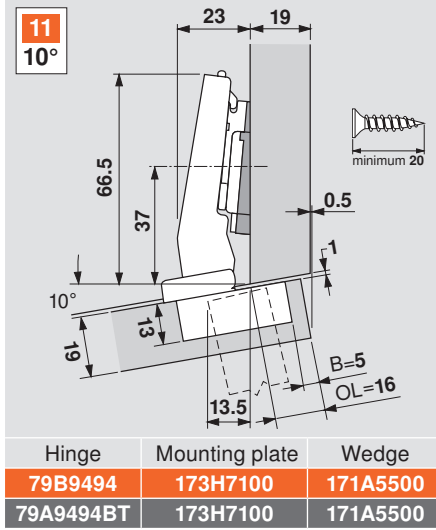
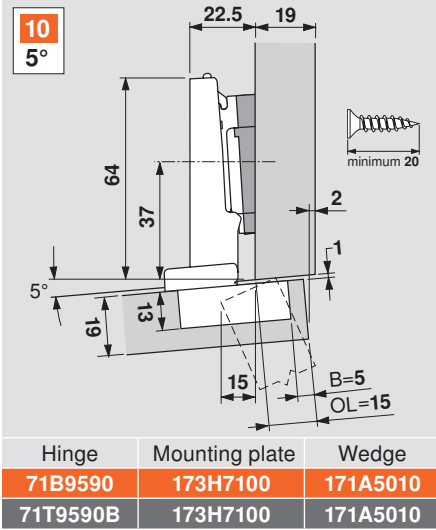


## Partial Overlay Specifications

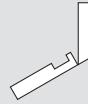


### Positive Angle Applications

NOTE: **CLIP top BLUMOTION** CLIP top

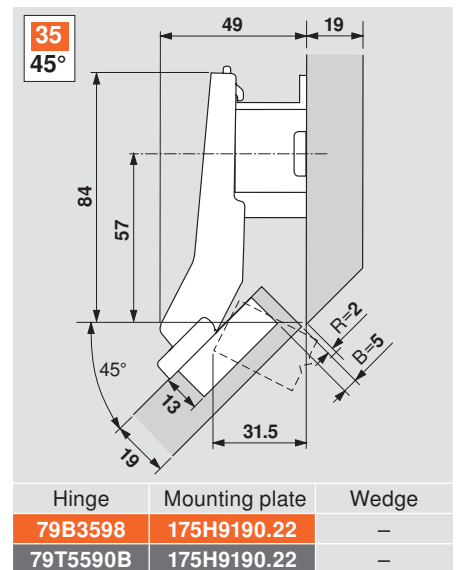
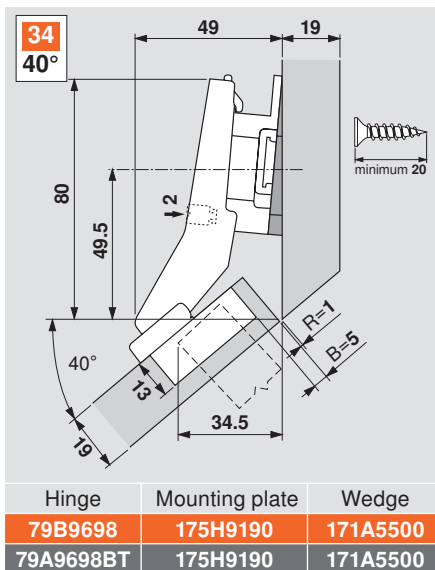
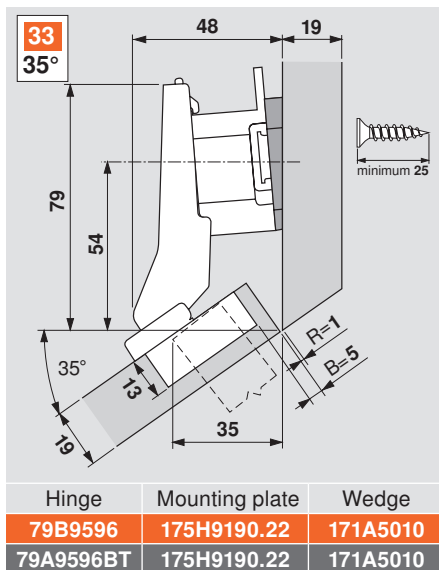
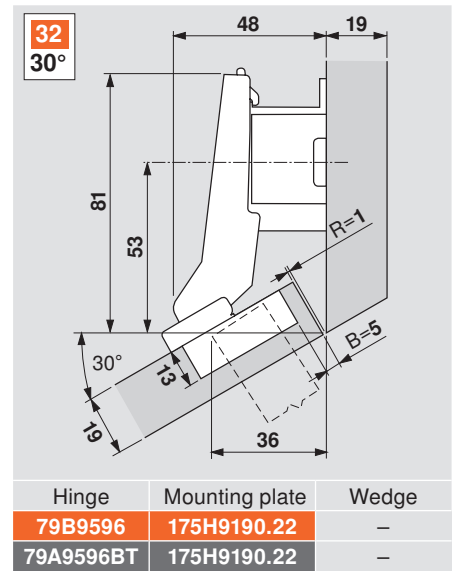
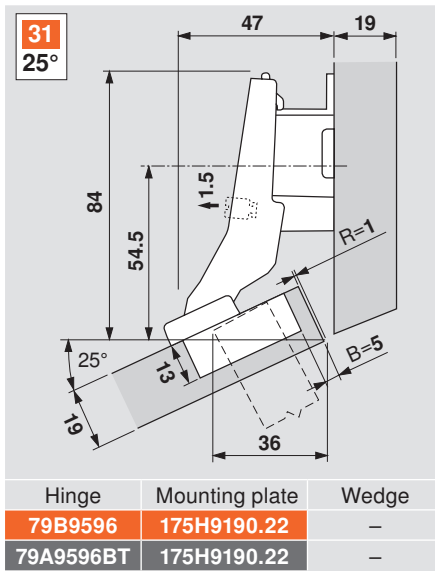
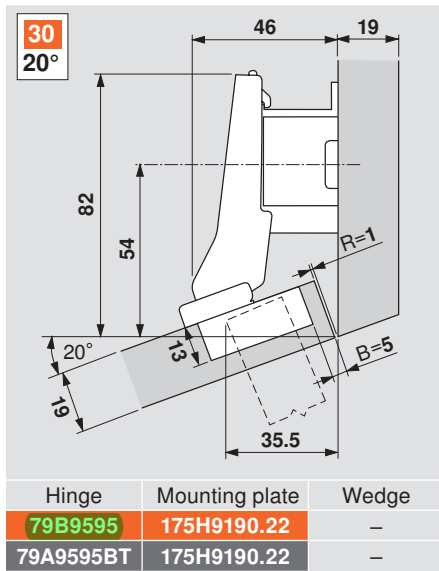
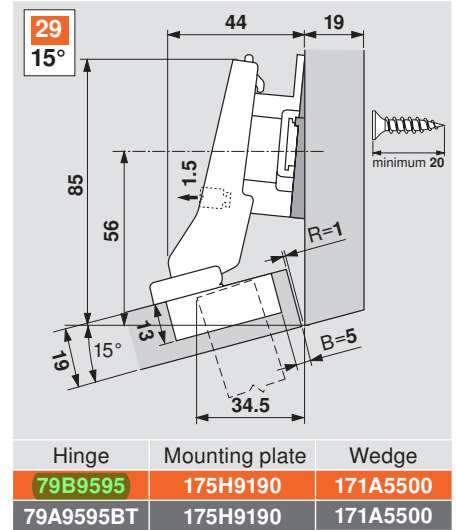
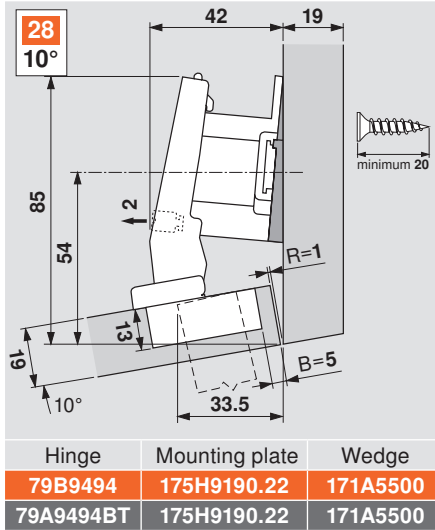
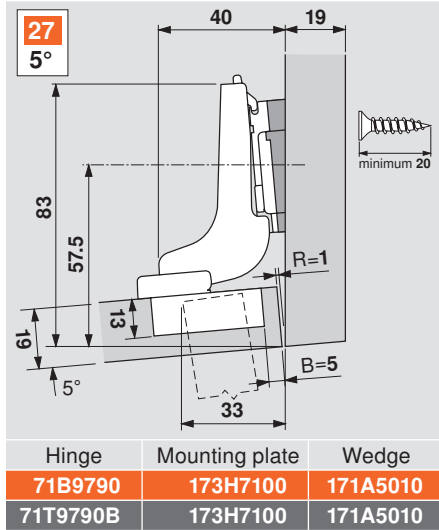




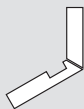


### Positive Angle Applications

NOTE: **CLIP top BLUMOTION** CLIP top



# Mitered Corner Specifications

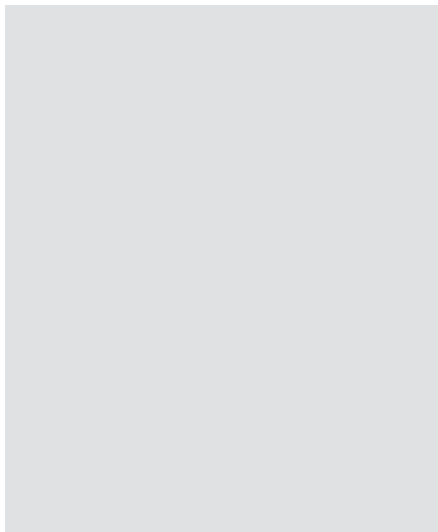
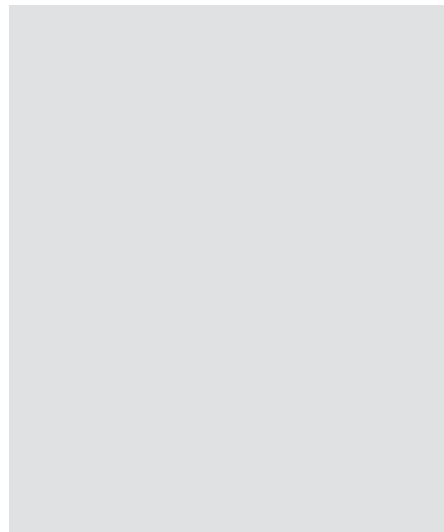


# Hinges



## Positive Angle Applications

NOTE: CLIP top BLUMOTION CLIP top



**36**  
**15°**

NOTE:  
 ■ Miter door 65°  
 ■ Miter side 40°  
 ■ Radius edges to fit  
 Trial application recommended

Hinge	Mounting plate	Wedge
<b>79B9595</b>	<b>173H7100</b>	<b>171A5500</b>
79A9595BT	173H7100	171A5500

**37**  
**20°**

NOTE:  
 ■ Miter door 62°  
 ■ Miter side 48°  
 ■ Radius edges to fit  
 Trial application recommended

Hinge	Mounting plate	Wedge
<b>79B9595</b>	<b>175H9160</b>	-
79A9595BT	175H9160	-

**38**  
**25°**

NOTE:  
 ■ Miter door 70°  
 ■ Miter side 45°  
 ■ Radius edges to fit  
 Trial application recommended

Hinge	Mounting plate	Wedge
<b>79B9596</b>	<b>173H7100</b>	<b>171A5500</b>
79A9596BT	173H7100	171A5500

**39**  
**30°**

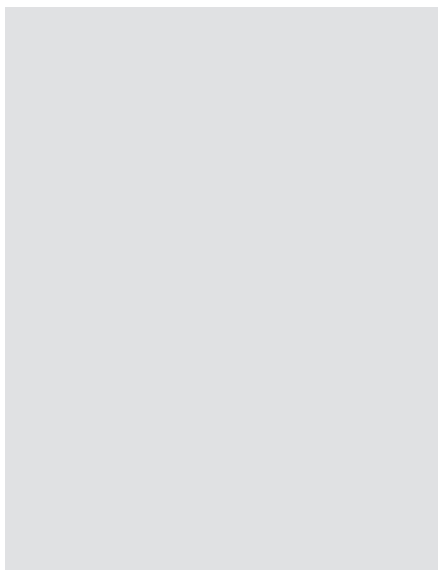
NOTE:  
 ■ Miter door 70°  
 ■ Miter side 50°  
 ■ Radius edges to fit  
 Trial application recommended

Hinge	Mounting plate	Wedge
<b>79B9596</b>	<b>173H7130</b>	-
79A9596BT	173H7130	-

**40**  
**35°**

NOTE:  
 ■ Miter door 70°  
 ■ Miter side 55°  
 ■ Radius edges to fit  
 Trial application recommended

Hinge	Mounting plate	Wedge
<b>79B9596</b>	<b>173H7100</b>	<b>171A5040</b>
79A9596BT	173H7100	171A5040



**41**  
**45°**

NOTE:  
 ■ Miter door 67°  
 ■ Miter side 68°  
 ■ Radius edges to fit  
 Trial application recommended

Hinge	Mounting plate	Wedge
<b>79B9698</b>	<b>173H7100</b>	-
79A9698BT	173H7100	-

Angled hinges