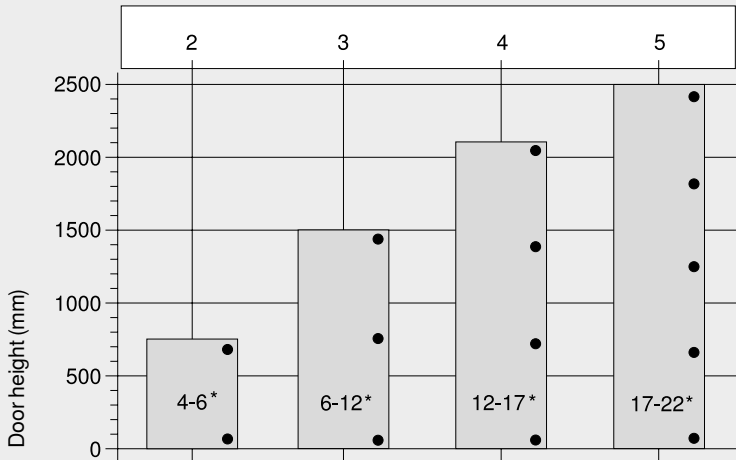




Number of Hinges



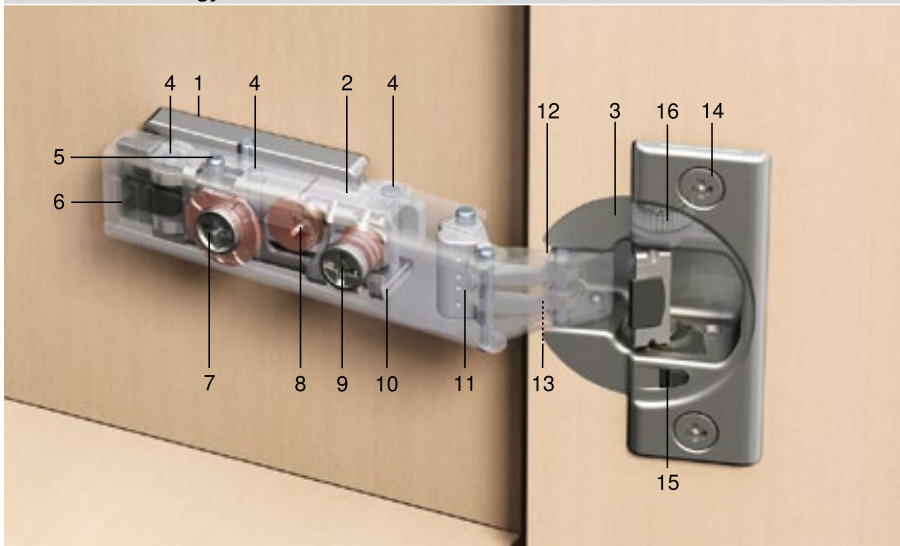
* kg

The number of hinges depends on the door weight and front height.

To achieve good stability, distances between hinges should be as large as possible.

Information on weight and height apply to a standard door width of 600 mm.

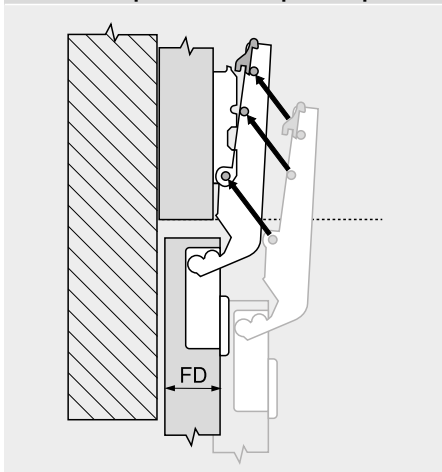
Parts and technology



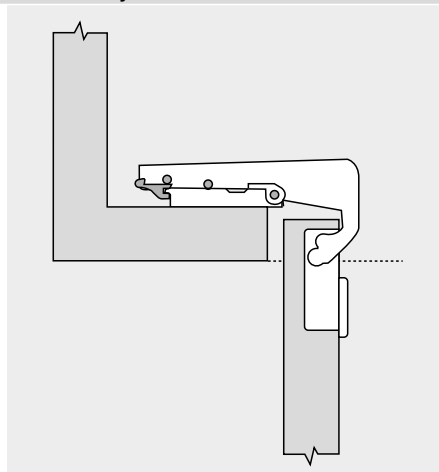
Composed of:

1	Mounting plate
2	Hinge arm
3	Hinge boss
4	Three location pins
5	Safety locking pin
6	CLIP mechanism
7	Spiral screw (depth adjustment)
8	Cam height adjustment (on mounting plate)
9	Side adjustment screw
10	Plate holder
11	Closing mechanism
12	Outer link
13	Inner link
14	Fixing screws
15	Deactivation
16	BLUMOTION

CLIP/CLIP top: theoretical space requirement for assembly/removal



FD Front thickness



Consider space requirements for removal!

Opening angle	Theoretical max. door thickness FD (mm)			
	Mounting plate spacing (mm)		Cabinet side panel thickness (mm)	
	0	3	16	19
100°	21	24	24	27
107°	20	23	23	26
110°	20	23	23	26
110° special	18	21	21	24
120°	20	23	23	26
120° special	18	21	21	24
155°	9	12	12	15
170°	19	22	22	25
95°	26	29	29	32
94°	17	20	20	23