

-30° III – angled hinge full overlay



- CLIP top BLUMOTION with integrated BLUMOTION (with deactivation option)
- CLIP top without closing mechanism (spring)
- 30° III angled hinge
- 110° opening angle
- 3-dimensional front adjustment
- Convenient spiral-tech depth adjustment
- Tool-free door to cabinet assembly and removal
- With INSERTA tool-free hinge to door assembly

Web code

DQDXLA

Reference pages

WA	Angle		
	-35°	-30°	-25°
			N° 11
			136
	N° 29	N° 30	N° 31
	136	136	137

Overview – angled applications

116

WA Angled application

Order information

Boss		INSERTA		Part no.
Hinge	Spring	Colour		
CLIP top BLUMOTION	●	NI		79B3491
● With spring		NI	Nickel plated	
○ Unsprung				

Boss		Screw-on		Part no.
Hinge	Spring	Colour		
CLIP top BLUMOTION	●	NI		79B3451
CLIP top	○	NI		78A5451.T

Accessories			
Hinge arm cover cap			
Print stamp	Logo	Colour	Part no.
Plain	–	NI	70.1553
Stamped	Blum	NI	70.1553.BP

Hinge boss cover cap		
Hinge	Colour	Part no.
CLIP top BLUMOTION	NI	70T3504
CLIP top	NI	70T1504

TIP-ON for doors		
Version	Spring	Part no.
Short version	○	956.1004
Extended version	○	956A1004
Extended version	●	956A1006

Chipboard screws		
Ø (mm)	Length (mm)	Part no.
3.5	15	609.1500
3.5	17	609.1700

Note

CLIP top BLUMOTION and CLIP top hinges cannot be combined with each other on a door.

Reference pages

Overview – CLIP top BLUMOTION CLIP top – hinges	71	Overview – TIP-ON for doors	171
Mounting plates	144	Overview – assembly devices	591
Accessories – hinge arm cover cap	151	More technical details	698
Accessories – general	153		

Assembly, removal and adjustment



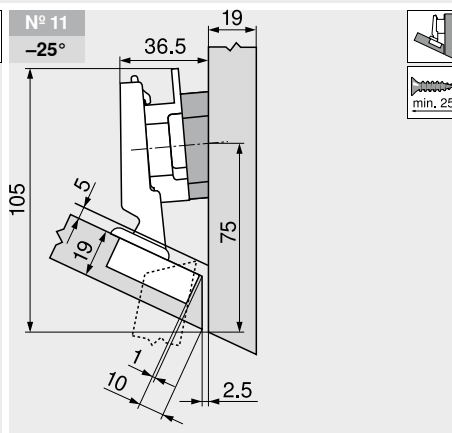
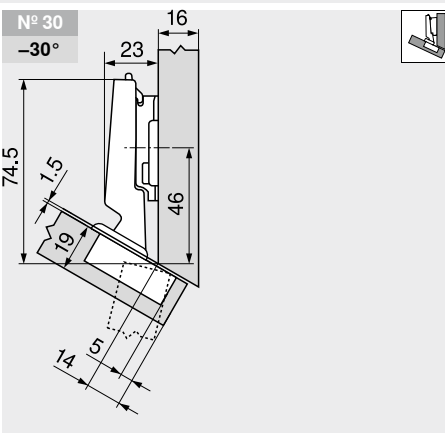
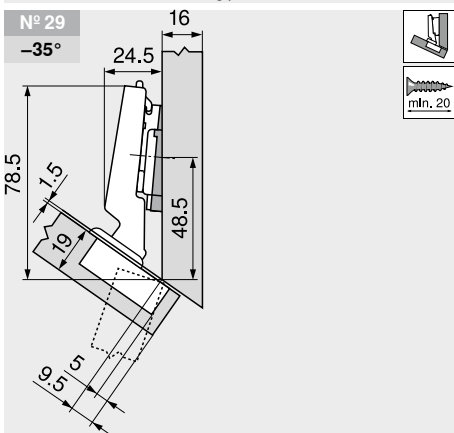
Short URL

www.blum.com/a210

Planning

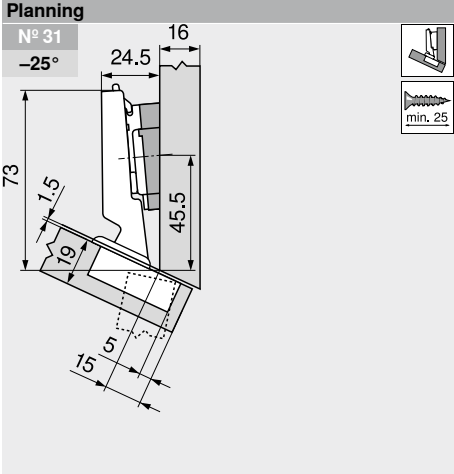
Note

These dimensions are based on the factory setting. The application changes in cases of deviation. In these cases a trial is recommended. Some applications require the mounting plate to be moved from the standard fixing positions.

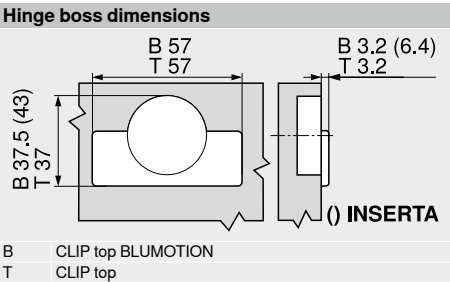
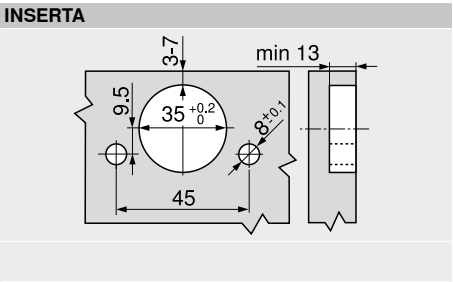
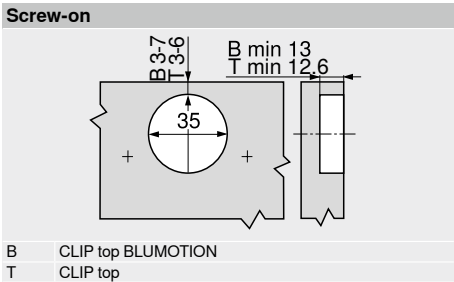
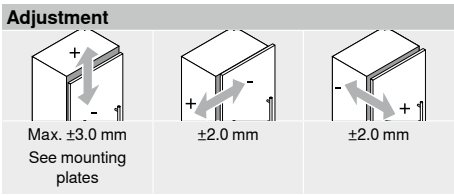


Description	Spacing (mm)	Part no.	Description	Spacing (mm)	Part no.	Description	Spacing (mm)	Part no.
Mounting plate	0	173H7100	Mounting plate	3	173H7130	Mounting plate	9	175H7190
Angled spacer	-5°	171A5500				Angled spacer	+5°	171A5070

-30° III – angled hinge full overlay Web code
DQDXLA



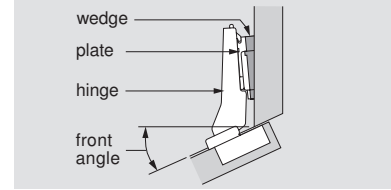
Description	Spacing (mm)	Part no.
Mounting plate	0	173H7100
Angled spacer	+5°	171A5040



Application number

hinge	CLIP top BLUMOTION	Part number
hinge	CLIP top	Part number
plate	Mounting plate	Part number
wedge/spacer	May or may not be required	Part number

NOTE: All 35 mm and 8 mm holes must be a minimum of 13 mm deep



Positive angles

	Maximum overlay	Partial overlay	Corner merge	Inset door	Mitered corner
5°	1	10	19	27	
	71B9590	71B9590	71B9690	71B9790	
	71T9590B	71T9590B	71T9690B	71T9790B	
	173H7100	173H7100	173H7100	173H7100	
	171A5010	171A5010	171A5070	171A5010	
10°	2	11	20	28	
	79B9494	79B9494	79B9494	79B9494	
	79A9494BT	79A9494BT	79A9494BT	79A9494BT	
	173H7100	173H7100	175H9190.22	175H9190.22	
	171A5500	171A5500	171A5500	171A5500	
15°	3	12	21	29	36
	79B9494	79B9494	79B9595	79B9595	79B9595
	79A9494BT	79A9494BT	79A9595BT	79A9595BT	79A9595BT
	175H9160	175H9190	173H7130	175H9190	173H7100
			171A5500	171A5500	171A5500
20°	4	13	22	30	37
	79B9494	79B9595	79B9595	79B9595	79B9595
	79A9494BT	79A9595BT	79A9595BT	79A9595BT	79A9595BT
	173H7100	173H7100	175H9190	175H9190.22	175H9160
	171A5070				
25°	5	14	23	31	38
	79B9496	79B9595	79B9596	79B9596	79B9596
	79A9496BT	79A9595BT	79A9596BT	79A9596BT	79A9596BT
	173H7100	173H7100	173H7100	175H9190.22	173H7100
	171A5500	171A5010	171A5500		171A5500
30°	6	15	24	32	39
	79B9496	79B9596	79B9596	79B9596	79B9596
	79A9496BT	79A9596BT	79A9596BT	79A9596BT	79A9596BT
	175H9160	173H7100	175H9190	175H9190.22	173H7130
35°	7	16	25	33	40
	79B9496	79B9596	79B9596	79B9596	79B9596
	79B9496BT	79A9596BT	79A9596BT	79A9596BT	79A9596BT
	173H7100	173H7100	173H7100	175H9190.22	173H7100
40°	8	17		34	
	79B9498	79B9498		79B9698	
	79A9498BT	79A9498BT		79A9698BT	
	173H7100	175H9160		175H9190	
45°	9	18	26	35	41
	79B9498	79B3598	79B9698	79B3598	79B9698
	79A9498BT	79T5590B	79A9698BT	79T5590B	79A9698BT
	175H9160	173H7100	173H7100	175H9190.22	173H7100

Negative angles

	Maximum overlay	Inset door
-5°	42	51
	71B9590	71B9690
	71T9590B	71T9690B
	173H7100	173H7100
	171A5500	171A5500
-10°	43	52
	79B3493	79B3493
	79A5493BT	79A5493BT
	173H7100	175H7190
	171A5010	171A5010
-15°	44	53
	79B3493	79B3493
	79A5493BT	79A5493BT
	173H7100	175H9190.22
-20°	45	54
	79B3493	79B3493
	79A5493BT	79A5493BT
	173H7100	175H9160
	171A5500	171A5500
-25°	46	55
	79B3491	79B3491
	79A5491BT	79A5491BT
	173H7100	175H7190
-30°	47	
	79B3491	
	79A5491BT	
	173H7130	
-35°	48	
	79B3491	
	79A5491BT	
	173H7100	
-40°	49	
	79B3490	
	79A5490BT	
	173H7100	
-45°	50	56
	79B3490	79B3490
	79A5490BT	79A5490BT
	173H7130	175H7190
		181.6130

Hinges

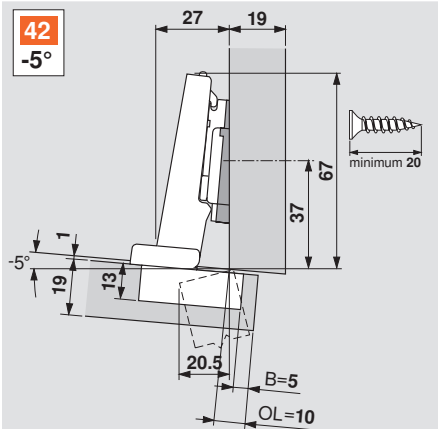


Maximum Overlay Specifications

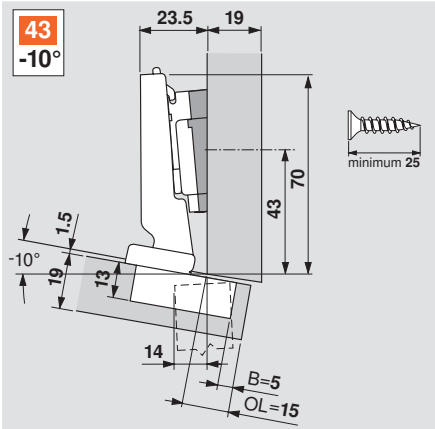


Negative Angle Applications

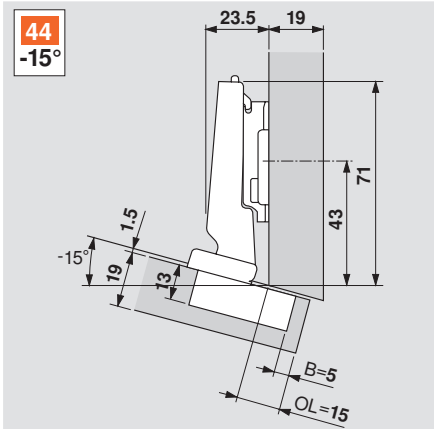
NOTE: **CLIP top BLUMOTION** CLIP top



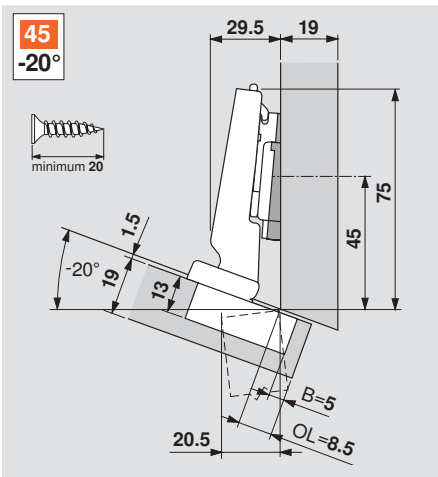
Hinge	Mounting plate	Wedge
71B9590	173H7100	171A5500
71T9590B	173H7100	171A5500



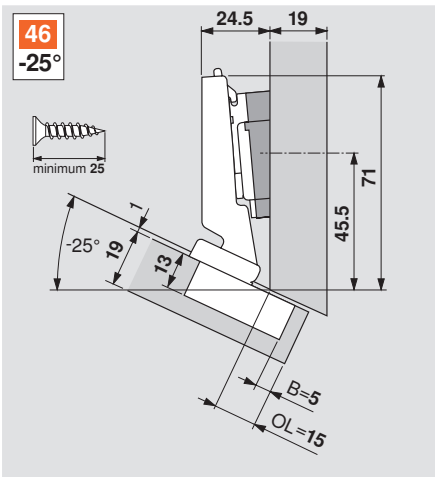
Hinge	Mounting plate	Wedge
79B3493	173H7100	171A5010
79A5493BT	173H7100	171A5010



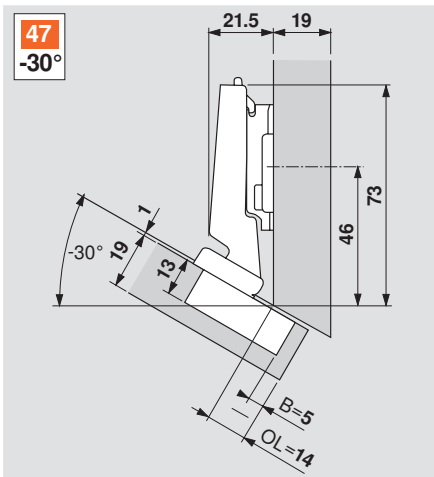
Hinge	Mounting plate	Wedge
79B3493	173H7100	-
79A5493BT	173H7100	-



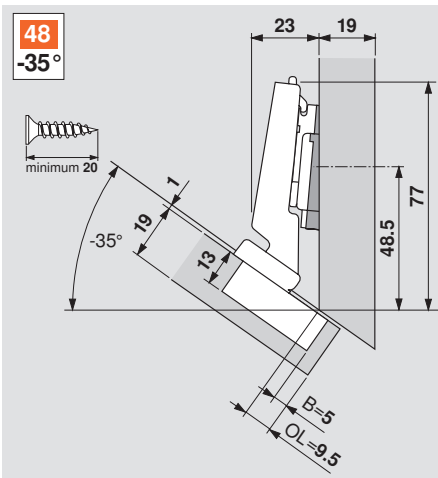
Hinge	Mounting plate	Wedge
79B3493	173H7100	171A5500
79A5493BT	173H7100	171A5500



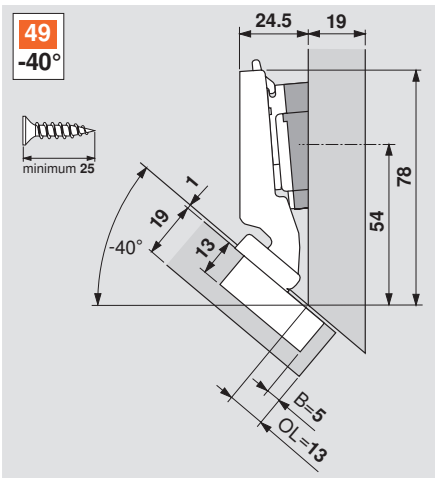
Hinge	Mounting plate	Wedge
79B3491	173H7100	171A5040
79A5491BT	173H7100	171A5040



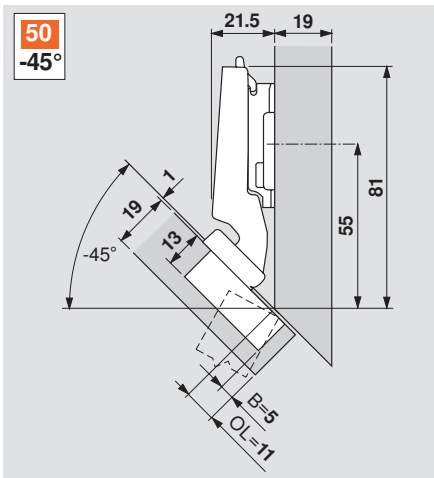
Hinge	Mounting plate	Wedge
79B3491	173H7130	-
79A5491BT	173H7130	-



Hinge	Mounting plate	Wedge
79B3491	173H7100	171A5500
79A5491BT	173H7100	171A5500

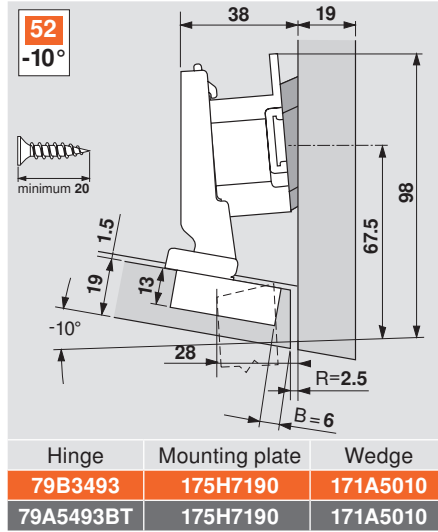
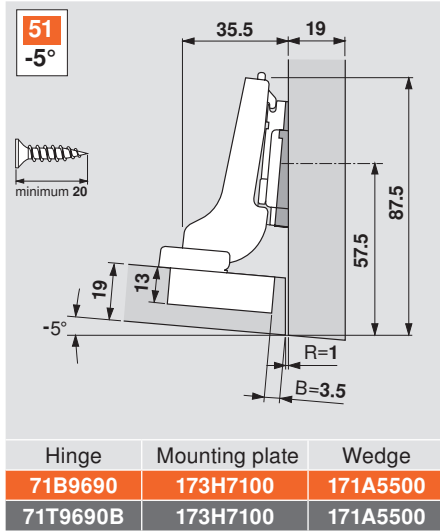


Hinge	Mounting plate	Wedge
79B3490	173H7100	171A5040
79A5490BT	173H7100	171A5040

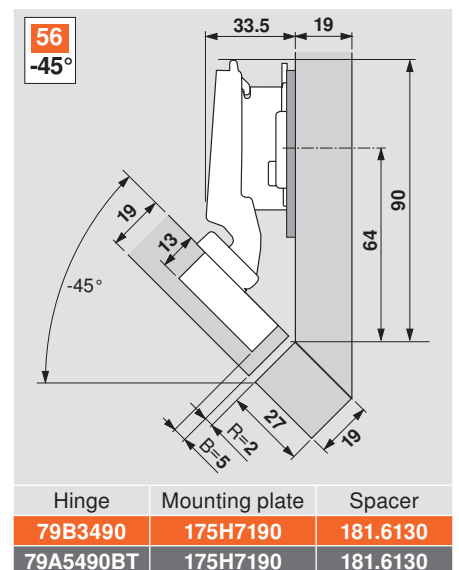
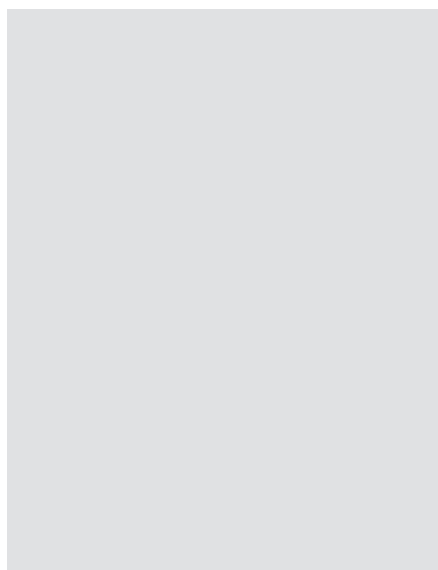
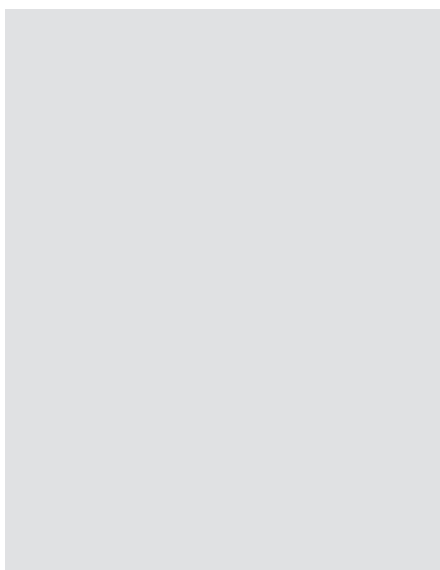
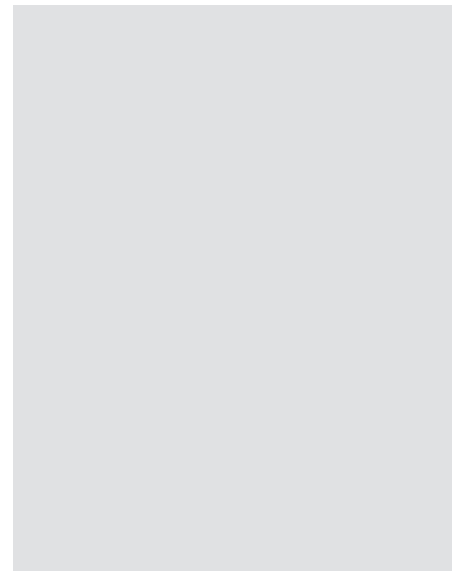
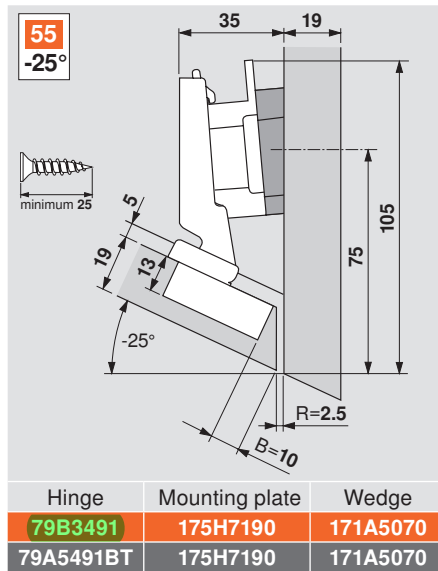
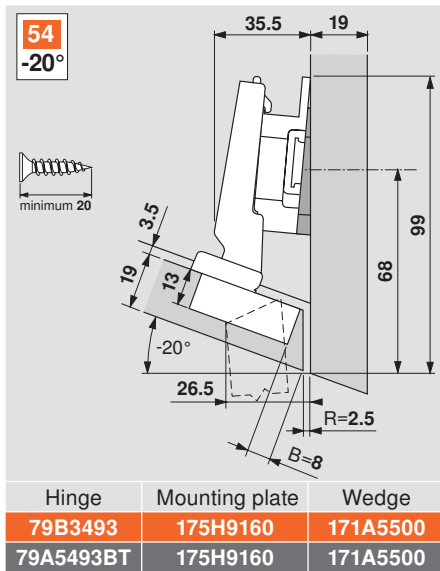
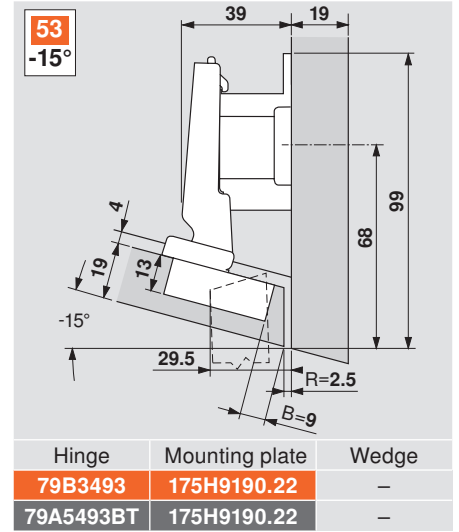


Hinge	Mounting plate	Wedge
79B3490	173H7130	-
79A5490BT	173H7130	-

Negative Angle Applications



NOTE: CLIP top BLUMOTION CLIP top



Angled hinges